



Harley Davidson



Udgivet i august 2014. © Max MC Import A/S. Specifikationer kan ændres.
Released in August 2014. © Max MC Import A/S. Specifications can change.



Harley Davidson Wheel Bearing Kit



DK HJULLEJE / PAKDÅSE KIT SE HJULLAGER / PACKBOX SATS
DE RADLAGER / PACK DOSENSATZ GB WHEELBEARING / SEAL KIT

Brand/Model	Year	Front wheel Bearing and Seal Kit Max Art. no.	Rear Wheel and Seal Kit Max Art. no.
Märke/Model	Baujahr	Vorradlager und Packdozen satz Max Teil nr.	Hinterradlager und Packdozen satz Max Teil nr.
Mærke/Model	Prod. Årg.	Forhjul leje- og pakdåse Kit Max Varenr.	Baghjul leje- og pakdåse Kit Max Varenr.
Märke/Modell	Årg. År	Framhjul lager- och packbox sats Max Art.nr.	Bakhjul lager- och packbox sats Max Art.nr.

HARLEY DAVIDSON

FLH	1967-72	25-1366	25-1366
FLH	1973-84	25-1002	25-1002
FLT FLH	1982-99	25-1002	25-1002
FLT FLH	2000-07	25-1394	25-1394
FLT FLH	2008	25-1571***	
FLT FLH	2009-14	25-1571***	25-1405***
SOFTAIL FLS FXS	1980-99	25-1002	25-1002
SOFTAIL FLS FXS	2000-06	25-1368	25-1368
SOFTAIL FLS FXS	2007	25-1571***	25-1368
SOFTAIL FLS FXS	2008-14	25-1571***	25-1571***
SOFTAIL SPRINGER	2007	25-1368	25-1368
SOFTAIL SPRINGER	2008	25-1368	25-1571***
FX, FXE	1971-72	25-1369	25-1366
FXD, FX, FXR	1973-99	25-1001	25-1002
FXWG, FXDWG	1980-99	25-1002	25-1002
FXD DYNA ALL	2000-03	25-1368	25-1368
FXD DYNA ALL	2004-07	25-1394	25-1394
FXD DYNA ALL	2008-14	25-1571***	25-1571***
Sportster, XL	1958-72	25-1369	25-1370
Sportster, XL	1973-78	25-1001	25-1370
Sportster, XL	1979-99	25-1001	25-1002
Sportster, XL	2000-04	25-1368	25-1368
Sportster, XL	2005-07	25-1368	25-1394
Sportster, XL	2008-14	25-1571***	25-1571***
V-Rod 1" AXLE	2002-07	25-1394	25-1394
V-Rod 25 MM AXLE	2008-14	25-1571***	25-1571***
USED IN CUSTOM WHEELS .75"x47x14"		6204-2RS-3/4	
USED IN CUSTOM WHEELS 1"x52x15"		6205-2RS-IN	

***Bearing kit intended for non ABS models only

WHEEL BEARING KIT FINDER HARLEY DAVIDSON

	Kit, Max art.no.	HD # Bearing	HD # Seal
	Satz, Max Art.no	HD # Lager	HD # Packdozen
	Kit, Max varenr.	HD # Leje	HD # Pakdåse
	Sats, Max Art.no.	HD # Lager	HD # Packbox
Tapered bearing 3/4" ID W/ 0.3 thick seal	25-1001	9052	47519-72
Tapered bearing 3/4" ID W/ 0.4 thick seal	25-1002	9052	47519-83A
Ball bearing 17 mm ID W/ extended inner race	25-1366	43577-67	
Wide ball bearing 3/4" ID	25-1368	9267	
Ball bearing 17 mm ID	25-1369	9008-9009	41210-55
Wide ball bearing 1" ID	25-1394	9247	
Two ball bearings 25 mm ID	25-1571***	9276	
Four ball bearings 25 mm ID	25-1405***	9276	

***Bearing kit intended for non ABS models only



丹 旗 HJULLEJE / PAKDÅSE KIT 德 旗 RADLAGER / PACK DOSENSATZ 英 旗 HJULLAGER / PACKBOX SATS 英 旗 WHEELBEARING / SEAL KIT

Brand/Model	Year	Front wheel Bearing and Seal Kit Max Art. no.	Rear Wheel and Seal Kit Max Art. no.
Märke/Model	Baujahr	Vorradlager und Packdozen satz Max Teil nr.	Hinterradlager und Packdozen satz Max Teil nr.
Märke/Model	Prod. Årg.	Forhjul leje- og pakdåse Kit Max Varenr.	Baghjul leje- og pakdåse Kit Max Varenr.
Märke/Modell	Årg. År	Framhjul lager- och packbox sats Max Art.nr.	Bakhjul lager- och packbox sats Max Art.nr.

BUELL

Blast	2000-09		25-1626
Firebolt XB9R	2003-06	25-1351	25-1627
Lightning XB9S	2003-09	25-1351	25-1627
Helicon 1125	2008-09	25-1351	25-1627
Cyclone	1997-02	25-1626	
Firebolt XB12R	2005-08	25-1351	25-1627
Lightning X1	2000-02	25-1626	
Lightning XB12S	2005-09	25-1351	25-1627
Thunderbolt	1999-01	25-1626	
Ulysses XB12	2006-09	25-1351	25-1627



R16-2RS



25-3103



25-3101



25-3102

DK HARLEY DAVIDSON HOVEDLEJE OG PAKDÅSE KIT
SE HARLEY DAVIDSON HUVUDLAGER OCH PAKKBOX SATS
DE HARLEY DAVIDSON HAUPTLAGER UND PAKK DOSENSATZ
GB HARLEY DAVIDSON INNER PRIMARY BEARING AND SEAL KIT

Year	Max art. no. (AllBalls no.)	Harley Davidson #
Jahr	Max Teilno. (AllBalls no.)	Harley Davidson #
Arg.	Max varenr. (AllBalls no.)	Harley Davidson #
Arg.	Max art. nr. (AllBalls no.)	Harley Davidson #

HARLEY DAVIDSON

Harley Davidson Big Twin stock replacment	1985-07	25-3101	
Harley Davidson Big Twin HP Double row ball bearing designed for use on straight splined shafts only	1990-06*	25-3102	
Harley Davidson Big Twin stock replacment	2008-10	25-3103	
Inner Primary Mainshaft Support Bearing		R16-2RS	9061 9040

DK INDHOLD AF KIT SE HARLEY DAVIDSON HUVUDLAGER OCH PAKKBOX SATS
DE INHALT DES SATZES GB CONTENTS KITS

Kit no.	Seal pinion	Seal pinion	Seal main shaft	Snap ring	Inner race	Bearing
Satz nr.	Pack Dozen	Pack Dozen	Pack Dozen	C-ring	Innen lauffbahn	Lager
Kit nr.	Pakdåse	Pakdåse	Pakdåse hovedaksel	Låsring	Indv lejbane	Leje
Kit nr	Packbox	Packbox	Packbox huvudaxel	Låsring	Inre löpbana	Lage
25-3101	31-1101 (.625x1.125x.25) 12066	31-1102 (.750x1.125x.25) 12053	30-5217 (32x52x7/8) 12052	99-1098 (58x2) qty 2 60678-85	40-2337 (25x32.1x25.4) 34091-06	20-2037 (32x52x15) 9135
HD number			30-5216 (25x52x8)	99-1098 (58x2) qty 1		20-1050
25-3102			30-5217 (32x52x7/8) 12052A	99-1098 (58x2) qty 1 60678-85	40-2430 (.975"x32.1x27.9) 34091-08	20-2037 (32x52x15) 9231
25-3103	na	na				
HD number						



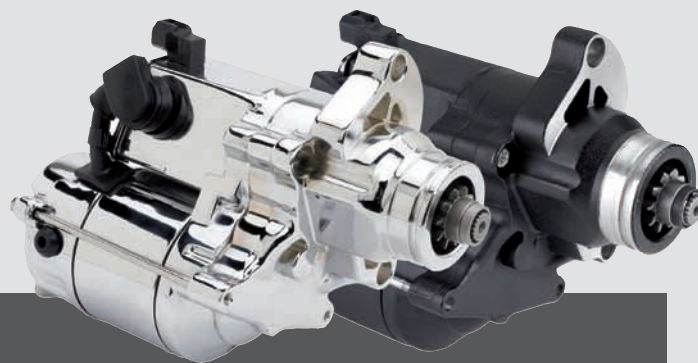
80-2001

DK HARLEY DAVIDSON GENERATOR
SE HARLEY DAVIDSON GENERATOR
DE HARLEY DAVIDSON GENERATOR
GB HARLEY DAVIDSON GENERATOR

Year	Max art. no. (AllBalls no.)	Harley Davidson #
Jahr	Max Teilno. (AllBalls no.)	Harley Davidson #
Arg.	Max varenr. (AllBalls no.)	Harley Davidson #
Arg.	Max art. nr. (AllBalls no.)	Harley Davidson #

HARLEY DAVIDSON

12 V 10A BLACK PRESTOLITE (new)	54-84 XL	80-2001	29975-65A/B 29978-77A
12 V 10A BLACK PRESTOLITE (new)	58-69	80-2001	29975-65A/B 29978-77A
	BIG TWIN		



-  HØJ MOMENT STARTER
-  HÖGT VRIDMOMENT STARTER
-  HOHES DREHMOMENT STARTER
-  HIGH TORQUE STARTER

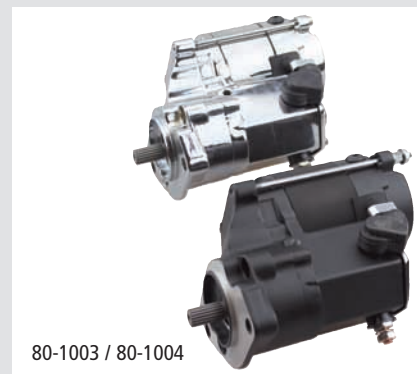
	Year	Max art. no. (AllBalls no.)	Harley Davidson #
	Jahr	Max Teilno. (AllBalls no.)	Harley Davidson #
	Arg.	Max varenr. (AllBalls no.)	Harley Davidson #
	Arg.	Max art. nr. (AllBalls no.)	Harley Davidson #

HARLEY DAVIDSON

1.4 kW			
1.4kW Black will not fit FLT FLH models when stock chrome cover is mounted.			
	1989-06*	80-1001	31553-90
1.4kW Chrome	1989-06*	80-1002	31553-94
1.6 kW			
1.6kW Black	1989-06*	80-1011 DISCONTINUED	31553-90
1.6kW Chrome	1989-06*	80-1012 DISCONTINUED	31553-94
1.7 kW			
Redesigned high torque starter fits all applications without spacer block. New high efficiency technology.			
1.7kW Black	1989-06*	80-1003	31553-90
1.7kW Chrome	1989-06*	80-1004	31553-94
*Except 2006 DYNA			
1.4kW 6 SPEED STARTERS			
1.4 kW Black	2007+**	80-1013	31618-06
1.4 kW Chrome	2007+**	80-1014	31618-06A
** including 2006 Dyna			
1.4 kW SPORSTER/BUELL			
1.4kW Black	1981-14	80-1009	31390-86
1.4kW Chrome	1981-14	80-1010	31390-91B
1.4 kW HITACHI PRESTOLITE			
Repl. Hitachi Black 10-24 mounting bolts	1966-88	80-1005	31570-73
Repl. Hitachi Chrome 10-24 mounting bolts	1966-88	80-1006	
Repl. Prestolite Black 1/4-20 mounting bolts	1966-88	80-1007	31463-88T
Repl. Prestolite Chrome 1/4-20 mounting blts	1966-88	80-1008	

BUELL

1.4kW Black	1981-14	80-1009	31390-86
1.4kW Chrome	1981-14	80-1010	31390-91B





Starter clutch 79-2109



Starter clutch 6 speed



DK STARTER KOBLING, HARLEY D. SE STARTER KOPPLING HARLEY D.
DE STARTERKUPPLUNG HARLEY D. GB STARTER CLUTCH HARLEY D.

Year	Max art. no. (AllBalls no.)	Harley Davidson #
Jahr	Max Teilno. (AllBalls no.)	Harley Davidson #
Årg.	Max varenr. (AllBalls no.)	Harley Davidson #
Arg.	Max art. nr. (AllBalls no.)	Harley Davidson #

HARLEY DAVIDSON

Clutch/Bearing	1991-06*	79-2101	31663-90
Clutch/Bearing	1989-90	79-2103	31544-90
Clutch/ Bearing/ pinion gear	2007+**	79-2104	31681-07
XL Clutch	1967-80	79-2109	31443-65A
BIG TWIN Clutch	1965-88	79-2109	31443-65A
** including 2006 Dyna			



Solenoid Repair Kit



DK STARTRELÆ REP.KIT, HARLEY D. SE START RELÄ REP.KIT HARLEY D.
DE STARTRELAIS REP.KIT HARLEY D. GB SOLENOID REP.KIT HARLEY D.

Year	Max art. no. (AllBalls no.)	Harley Davidson #
Jahr	Max Teilno. (AllBalls no.)	Harley Davidson #
Årg.	Max varenr. (AllBalls no.)	Harley Davidson #
Arg.	Max art. nr. (AllBalls no.)	Harley Davidson #

HARLEY DAVIDSON

Solenoid Repair Kit Big twin	1989-06*	79-1101	NA
Solenoid Repair Kit Sportster/Buell	1981-2014	79-1101	NA
Solenoid Repair Kit	2007+**	79-1102	
Complete 4 Speed Solenoid XL	1967-80	79-2108	71469-65/A/B/69
Complete 4 Speed Solenoid FL/FX/SOFTAIL	1965-88	79-2108	71469-65/A/B/69
** including 2006 Dyna			

BUELL

Solenoid Repair Kit Buell	1981-2014	79-1101	NA
---------------------------	-----------	---------	----



STARTER DREV KIT, HARLEY D. STARTERWELLE-SET, HARLEY D. STARTER DREV KIT HARLEY D. ONE PIECE JACKSHAFT KITS

Year	Max art. no. (AllBalls no.)	Harley Davidson #
Jahr	Max Teilno. (AllBalls no.)	Harley Davidson #
Arg.	Max varenr. (AllBalls no.)	Harley Davidson #
Arg.	Max art. nr. (AllBalls no.)	Harley Davidson #

HARLEY DAVIDSON			
9-tooth (Larger gear)	1989-93	79-2105	33126-90,93
9-tooth Conversion requires 66 tooth ringgear	1994-06*	79-2107	
10-tooth (Small gear)	1994-06*	79-2106	33126-94



Battery Cables

BATTERI KABEL KIT, HARLEY D. BATTERIEKABELSATZ HARLEY D. BATTERY CABLE KITS, HD

Year	Max art. no. (AllBalls no.)	Harley D #	Cabel length
Jahr	Max Teilno. (AllBalls no.)	Harley D #	Kabellänge
Arg.	Max varenr. (AllBalls no.)	Harley D #	Kabel længde
Arg.	Max art. nr. (AllBalls no.)	Harley D #	Kabel längde

HARLEY DAVIDSON				
Soft tail (FXST, FLST)	1984-88	79-3001	79-3001-1	8",15",17"
Soft tail (FXST, FLST)	1989-08	79-3002	79-3002-1	10",12"
Low Rider (FXR)	1982-88	79-3003	79-3003-1	12",16",16"
Low Rider (FXR)	1989-94	79-3004	79-3004-1	12",16"
Dyna Glide (FXD)	1991-03	79-3005	79-3005-1	8",8",15"
Dyna Glide (FXD)	2004-09	79-3013	79-3013-1	9",14",15"
FL (FLH, FLT)	1965-79	79-3006	79-3006-1	9",16",16"
Dresser (FLH, FLT)	1980-88	79-3007	79-3007-1	9",30",30"
Dresser (FLH, FLT)	1989-92	79-3008	79-3008-1	33",33"
Dresser (FLH, FLT)	1993-08	79-3009	79-3009-1	8",13",13"
Sportster (XL)	1981-03	79-3010	79-3010-1	11",16"
Sportster (XL)	2004-09	79-3011	79-3011-1	13",13"

Individual battery cables by SIZE	CLEAR	BLACK
7" - 178 mm	78-107	78-107-1
8" - 203 mm	78-108	78-108-1
9" - 229 mm	78-109	78-109-1
10" - 254 mm	78-110	78-110-1
11" - 279 mm	78-111	78-111-1
12" - 305 mm	78-112	78-112-1
13" - 330 mm	78-113	78-113-1
14" - 356 mm	78-114	78-114-1
15" - 381 mm	78-115	78-115-1
16" - 406 mm	78-116	78-116-1
17" - 432 mm	78-117	78-117-1
19" - 483 mm	78-119	78-119-1
21" - 533 mm	78-121	78-121-1
23" - 584 mm	78-123	78-123-1
25" - 635 mm	78-125	78-125-1
27" - 686 mm	78-127	78-127-1
29" - 737 mm	78-129	78-129-1
30" - 762 mm	78-130	78-130-1
32" - 813 mm	78-132	78-132-1
33" - 838 mm	78-133	78-133-1



Battery Terminal



Crimping Tool

DK BATTERI TILBEHØR, HARLEY D. SE BATTERI TILLBEHÖR, HARLEY D.
DE BATTERIE ZUBEHÖR HARLEY D. GB BATTERY ACCESSORIES, HD

Description	Max art. no. (AllBalls no.)	Quantity
Beschreibung	Max Teilno. (AllBalls no.)	Menge
Beskrivelse	Max varenr. (AllBalls no.)	Mængde
Beskrivning	Max art. nr. (AllBalls no.)	Mängd

HARLEY DAVIDSON

Crimping Tool	99-1012	1
1/4" Terminal	99-1007	25
5/16" Terminal	99-1008	25
3/8" Terminal	99-1009	25
Black Heat Shrink	99-1024	25
Red Heat Shrink	99-1034	25
Clear Cable	99-2001	Per Foot (= 305 mm)
Black Cable	99-2002	Per Foot (= 305 mm)
25' Clear	79-2001-25	1
25' Black	79-2002-25	1
25' clear kit Includes an assortment of terminals and heat shrink tubing	79-3303	1
25' black kit Includes an assortment of terminals and heat shrink tubing	79-3303-1	1



79-3303 Clear Kit



Harley Davidson
Steering Bearing Kit

- KRONRØRSLEJE / PAKDÅSE KIT HD**
- STYRLAGE / PACKBOX KIT HD**
- LENKKOPFLAGER / PACKDOZEN KIT**
- STEERING BEARING / SEAL KIT**

	Year	Max art. no. (AllBalls no.)	Harley Davidson #
	Jahr	Max Teilno. (AllBalls no.)	Harley Davidson #
	Årg.	Max varenr. (AllBalls no.)	Harley Davidson #
	Årg.	Max art. nr. (AllBalls no.)	Harley Davidson #

HARLEY DAVIDSON

Big Twin EXCEPT 2014 FLH	1949-14	22-1032	Black	
FLH	2014	22-1071	Black	
Sportster	1982-14	22-1032	Black	
VROD	2002-14	22-1032	Black	

BUELL

BUELL	1995-10*	22-1032	Black	
INNER RACE/CONE ONLY		20-1047		
OUTER RACE/CUP ONLY		20-1051		
*EXCEPT 1125 MODELS				



Harley Davidson
Swingarm Spherical
Bearing Kit



28-1204

- SVINGARM LEJE KIT**
- SVÄNGARM SATS**
- SCHWINGENLAGERSATZ**
- SWINGARM BEARING KIT**

	Year	Max art. no. (AllBalls no.)	Harley Davidson #
	Jahr	Max Teilno. (AllBalls no.)	Harley Davidson #
	Årg.	Max varenr. (AllBalls no.)	Harley Davidson #
	Årg.	Max art. nr. (AllBalls no.)	Harley Davidson #

HARLEY DAVIDSON

Touring models FLT FLH	2002 +	28-1204	9208
Big Twin Soft Tail	1984-99	28-1095	
Big Twin Soft Tail	2000-08	28-1139	
Big Twin (Except Soft Tail & Dyna)	1958-85	28-1111	

BUELL

BUELL Blast	2000 - 09	25-1626	
BUELL aluminum frame all models	2003 - 09	25-1626	



Fork Oil Seal Kit



56-123 Seal / Cap Kit

🇩🇰 FORGAFFEL PAKDÅSE KIT
🇳🇴 FRAMGAFFEL PACKBOX SATS
🇩🇪 GABELN PACK DOZEN SATZ
🇬🇧 FRONT FORK SEAL KIT

Model	Year	Fork seal / dust cap Max art. no.	Fork seal Kit Max art. no.	Fork Dust cap Kit Max art. no.	Bushing Rep.Kit Max art. no.
Model	Jahr	Dichtung/kappe Max Teilno.	Dichtung Kit Max Teilno.	Kappe Kit Max Teilno.	Reperaturset Max Teilno.
Model	Årg.	Pakdåse / støvkappe Max varenr.	Pakdåse Kit Max varenr.	Støvkappe Kit Max varenr.	Bøsning Rep.Kit Max varenr.
Model	Årg.	Packbox/avstrykare Max art. nr.	Packbox Kit Max art. nr.	Avstrykare Kit Max art. nr.	Bussnings Rep.Kit Max art. nr.

BUELL

Blast 500	2000-09	56-123	55-111	57-109	
Firebolt XB9R 900	2003	56-132	55-119	57-115	
Firebolt XB9R 900	2004-06	56-133-1	55-120	57-108-1	
Lightning XB9S 900	2003	56-132	55-119	57-115	
Lightning XB9S 900	2004-09	56-133-1	55-120	57-108-1	
Helicon 1125CR 1125	2009	56-142	55-127	57-100	
Helicon 1125R 1125	2008-09	56-142	55-127	57-100	
Cyclone 1203	1997-02	56-133	55-120	57-108	
Firebolt XB12R 1203	2005-08	56-133-1	55-120	57-108-1	
Lightning X1 1203	2000-02	56-132	55-119	57-115	
Lightning XB12S 1203	2005-09	56-133-1	55-120	57-108-1	
Thunderbolt 1203	1999-01	56-132	55-119	57-115	
Ulysses XB12X DX 1203	2006-07	56-133-1	55-120	57-108-1	
Ulysses XB12X DX 1203	2008-09	56-142	55-127	57-100	
Ulysses XB12X FX 1203	2008-09	56-133-1	55-120	57-108-1	

HARLEY DAVIDSON

FX/FXR	86-86	56-117 new	55-108 new		
XL 35 mm forks	86-87	56-117 new	55-108 new		
FXD, with 39 mm Showa forks	1991-05	56-125 new	55-113		
FXR / XL, with 39 mm Showa Forks	1987-14	56-125 new	55-113		
FXST, FLST, with 41 mm Showa Forks	1984-14		55-119		
FXDWG, with 41 mm Showa Fork	1993-05		55-119		
FXWG, with 41 mm Showa Fork	1984-86		55-119		
FLT,FLH with 41 mm Showa Fork	1984-14		55-119		
FXC FXD FL with 49 mm Showa Fork	2008-14	56-144 new	55-129		38-6107 new
V-ROD with 49 mm Showa Fork	2002-14	56-144 new	55-129		38-6107 new
XR1200 X & LA 43 mm	All	56-133-1 new	55-120 new		