



HYOSUNG

Made in Korea



GT 650 N

Naked. Euro 3
2008-2009

Reserve dele



SCANDINAVIAN MACHINERY IMPORT ApS

Holtvej 8-10, Høruphav

6470 Sydals

Telefon: +45 73 15 11 00

Fax: +45 73 15 11 01

E-mail: info@scanmi.dk

www.scanmi.dk

CVR: 27 73 31 07

HYOSUNG 2009

Part catalogue for GT650



S & T MOTORS

HYOSUNG 2009

Part catalogue for GT650

REFERENCE

1. The detailed specifications of each model are referred by the persons who are in charge of overseas marketing team, Hyosung.

2. Special demand

When you order any colored parts including Fuel tank, please add color code to the end of parts number and it will be helpful to register your parts order.

※COLOR 2008

- Black (MB)
- Red (TR)
- Yellow (MO)
- Blue (DB)

※COLOR 2009

- Black (SBK)
- Red (DR)
- White (WP)

FIG 1-1

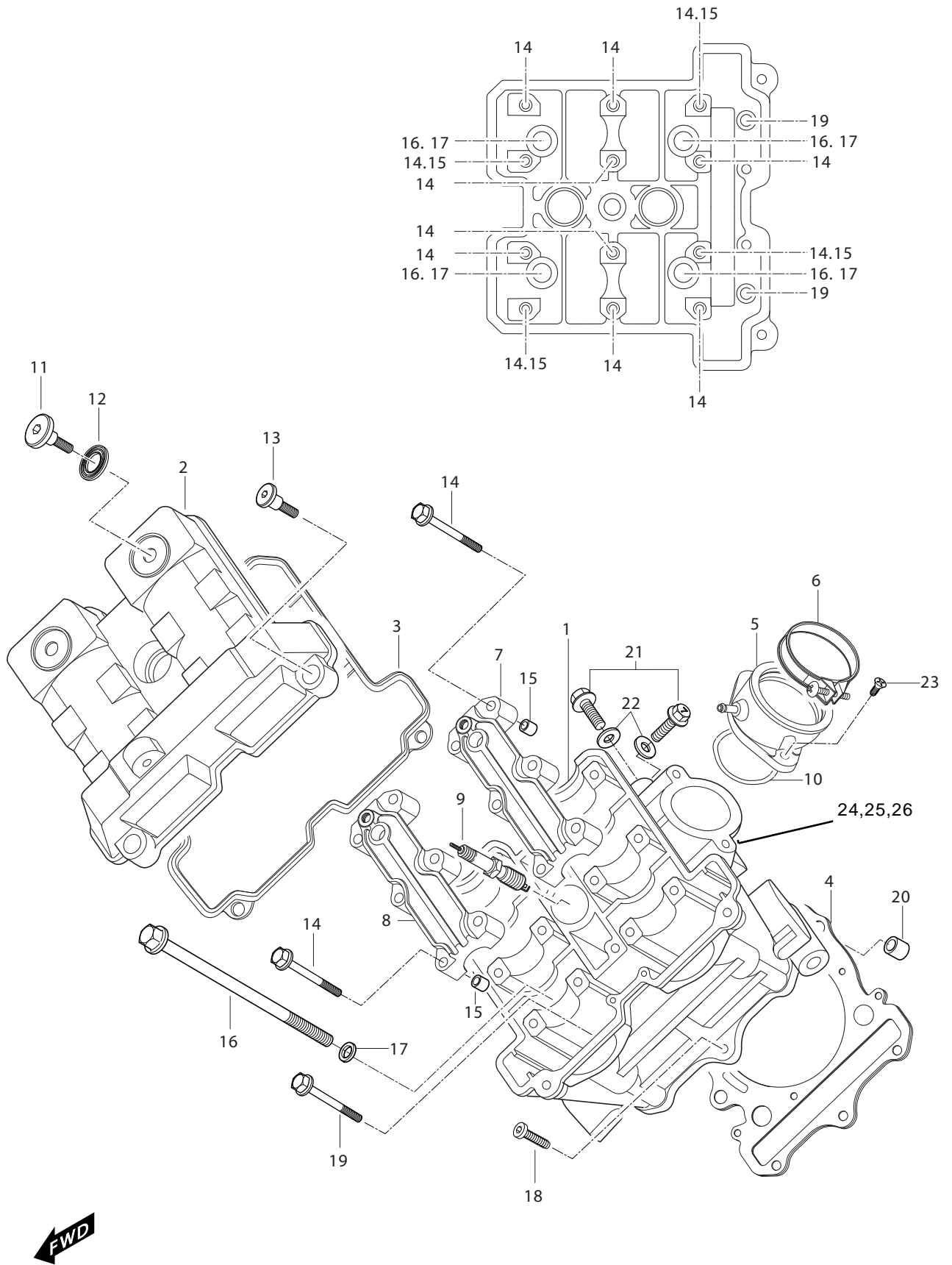


FIG 1-1. CYLINDER HEAD/(FRONT)

REF.	2008	2009		PART NAME	Q'TY	REMARKS	REC.Q'TY
NO.	7EU01/7G01/7S01/7F01	9EG02/9EN01/9EU01.02 9F01/9G01/9S01	9AT02				(PCS)
1	11110SN9102HPA	11110SN9102HPA	11110SN9110HPA	HEAD ASS'Y, cylinder front	1		5
2	11171HN91000S1	11171HN91000S1	11171HN91000S1	COVER, cylinder head front	1		10
3	11173HN9100	11173HN9100	11173HN9100	GASKET, cylinder head cover	1		10
4	11141HN9101	11141HN9101	11141HN9101	GASKET, cylinder head	1		10
5	13110HP9300	13110HP9300	13110HP9300	PIPE COMP, intake front	1		5
6	09402-56208	09402-56208	09402-56208	CLAMP, carburetor	1		10
7	11131HN9100PCH	11131HN9100PCH	11131HN9100PCH	HOUSING, camshaft intake	1	NOT SALE	
8	11132HN9100PCH	11132HN9100PCH	11132HN9100PCH	HOUSING, camshaft exhaust	1	NOT SALE	
9	09482-00456	09482-00456	09482-00456	PLUG, spark CR8E	1		10
10	13131HN9100	13131HN9100	13131HN9100	O-RING, intake pipe	1		10
11	09109H07018	09109H07018	09109H07018	BOLT, cylinder head cover NO.1	2		
12	09161H11008	09161H11008	09161H11008	WASHER, cylinder head cover	2		20
13	09106H07017	09106H07017	09106H07017	BOLT, cylinder head cover NO.2	2		20
14	09103H06002	09103H06002	09103H06002	BOLT, camshaft housing	12		120
15	09206-08001	09206-08001	09206-08001	KNOCK PIN, camshaft housing	4		
16	09103H10001	09103H10001	09103H10001	BOLT, cylinder head (M10)	4		40
17	09160H10002	09160H10002	09160H10002	WASHER, cylinder head bolt	4		40
18	07120-06408	07120-06408	07120-06408	BOLT, cylinder head NO.1 (M6)	1		10
19	09103H06001	09103H06001	09103H06001	BOLT, cylinder head NO.2 (M6)	2		20
20	04213-13189	04213-13189	04213-13189	PIN, cylinder knock	4		60
21	01514-08128	01514-08128	01514-08128	BOLT, oil gallery	2		30
22	09168-08008	09168-08008	09168-08008	GASKET, oil gallery bolt	2		30
23	02122-06208	02122-06208	02122-06208	SCREW, crank outer	2		20
24	09280H19001	09280H19001	09280H19001	O-RING, connector hose union	1		20
25	17680HN9101	17680HN9101	17680HN9101	UNION COMP, connector	1		20
26	07110-06108	07110-06108	07110-06108	BOLT	1		20

FIG 1-2

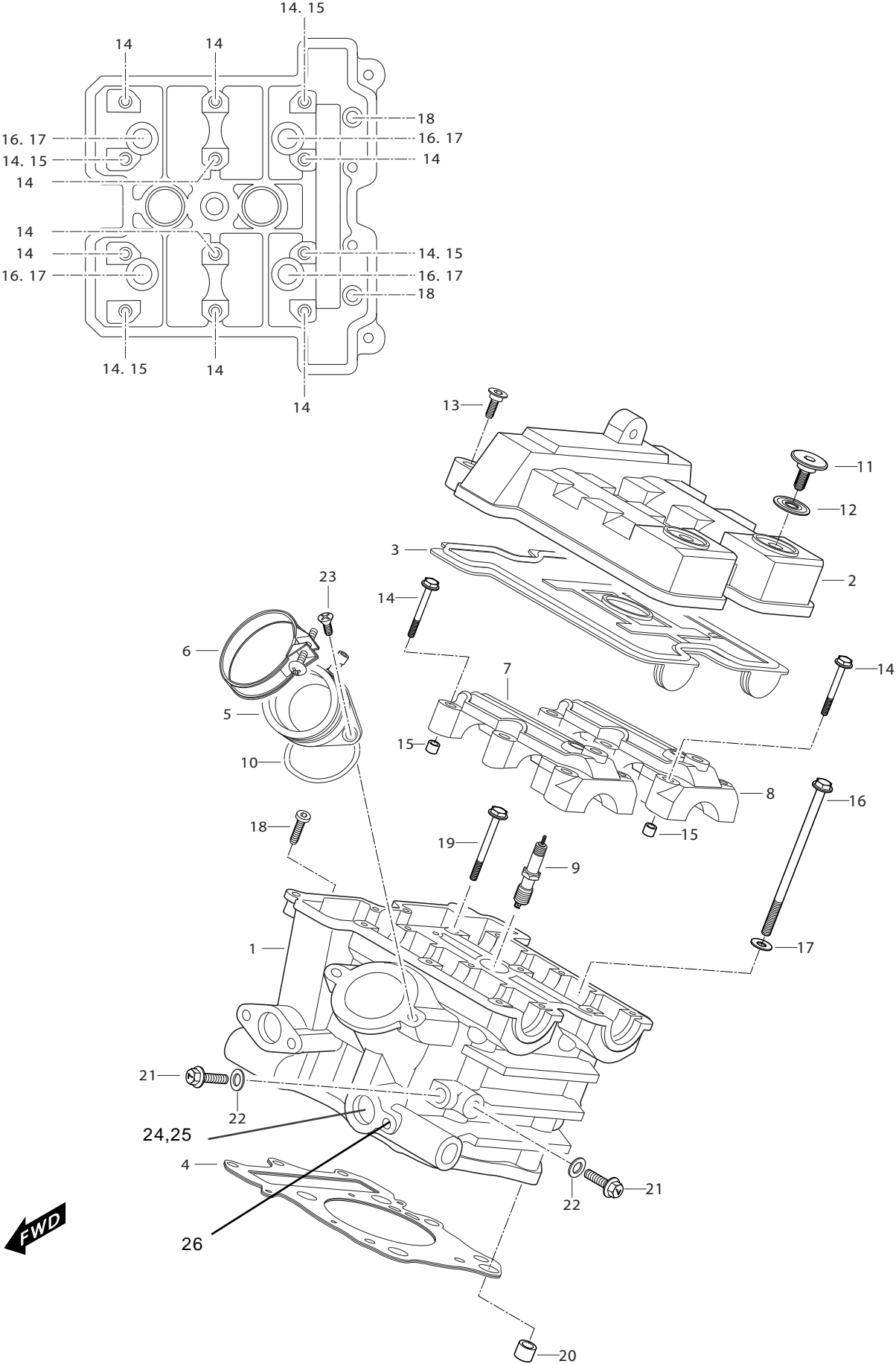


FIG 1-2. CYLINDER HEAD/(REAR)

REF. NO.	2008 7EU01/7G01/7S01/7F01	2009 9EG02/9EN01/9EU01.02 9F01/9G01/9S01	2009 9AT02	PART NAME	Q'TY	REMARKS	REC.Q'TY (PCS)
1	11120SN9120HPA	11120SN9120HPA	11120SN9110HPA	HEAD ASS'Y, cylinder rear	1		5
2	11171HN91000S1	11171HN91000S1	11171HN91000S1	COVER, cylinder head rear	1		10
3	11173HN9100	11173HN9100	11173HN9100	GASKET, cylinder head cover	1		10
4	11141HN9101	11141HN9101	11141HN9101	GASKET, cylinder head	1		10
5	13120HP9300	13120HP9300	13120HP9300	PIPE COMP, intake rear	1		5
6	09402-56208	09402-56208	09402-56208	CLAMP, carburetor	1		10
7	11131HN9100PCH	11131HN9100PCH	11131HN9100PCH	HOUSING, camshaft intake	1	NOT SALE	
8	11132HN9100PCH	11132HN9100PCH	11132HN9100PCH	HOUSING, camshaft exhaust	1	NOT SALE	
9	09482-00456	09482-00456	09482-00456	PLUG, spark CR8E	1		10
10	13131HN9100	13131HN9100	13131HN9100	O-RING, intake pipe	1		10
11	09109H07018	09109H07018	09109H07018	BOLT, cylinder head cover NO.1	2		
12	09161H11008	09161H11008	09161H11008	WASHER, cylinder head cover	2		20
13	09106H07017	09106H07017	09106H07017	BOLT, cylinder head cover NO.2	2		20
14	09103H06002	09103H06002	09103H06002	BOLT, camshaft housing	12		120
15	09206-08001	09206-08001	09206-08001	KNOCK PIN, camshaft housing	4		
16	09103H10001	09103H10001	09103H10001	BOLT, cylinder head (M10)	4		40
17	09160H10002	09160H10002	09160H10002	WASHER, cylinder head bolt	4		40
18	07120-06408	07120-06408	07120-06408	BOLT, cylinder head NO.1 (M6)	1		10
19	09103H06001	09103H06001	09103H06001	BOLT, cylinder head NO.2 (M6)	2		20
20	04213-13189	04213-13189	04213-13189	PIN, cylinder head knock	4		60
21	01514-08128	01514-08128	01514-08128	BOLT, oil gallery	2		30
22	09168-08008	09168-08008	09168-08008	GASKET, oil gallery bolt	2		30
23	02122-06208	02122-06208	02122-06208	SCREW, crank outer	2		20
24	09280H19001	09280H19001	09280H19001	O-RING, connector hose union	1		20
25	17680HN9101	17680HN9101	17680HN9101	UNION COMP, connector	1		20
26	07110-06108	07110-06108	07110-06108	BOLT	1		20

FIG 2

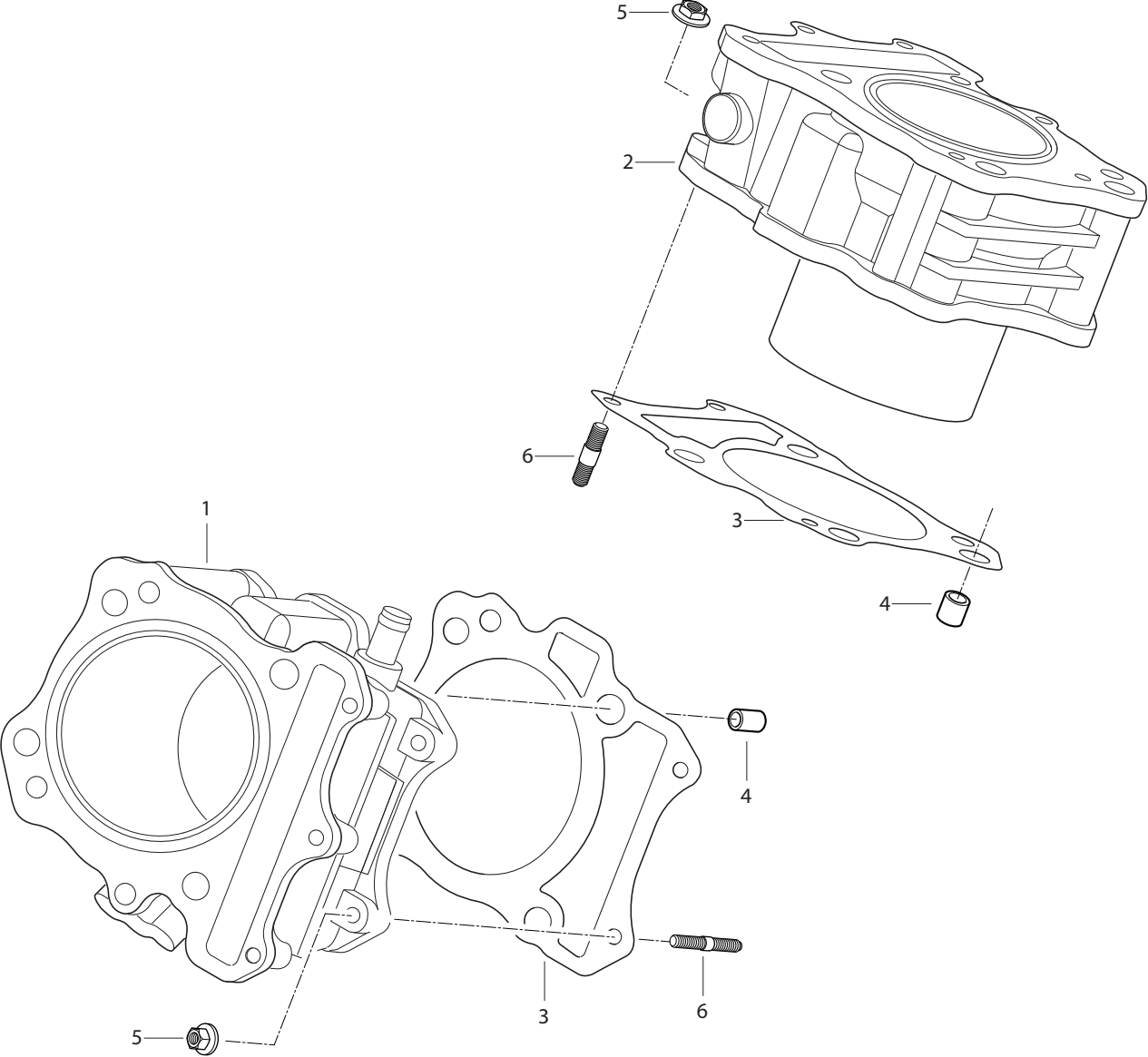


FIG 2. CYLINDER /FRONT, REAR

REF. NO.	2008 7EU01/7G01/7S01/7F01	2009 9EG02/9EN01/9EU01.02 9F01/9G01/9S01	2009 9AT02	PART NAME	Q'TY	REMARKS	REC.Q'TY (PCS)
1	11210HN9100HPA	11210HN9100HPA	11210HN9110HPA	CYLINDER COMP, front	1		5
2	11220HN9100HPA	11220HN9100HPA	11220HN9110HPA	CYLINDER COMP, rear	1		5
3	11241HN9101	11241HN9101	11241HN9101	GASKET, cylinder	2		10
4	04213-13189	04213-13189	04213-13189	PIN, cylinder head knock	4		60
5	08316-16068	08316-16068	08316-16068	NUT, cylinder (M6)	4		25
6	01421-06258	01421-06258	01421-06258	BOLT, cylinder stud (M6)	4		20

FIG 3

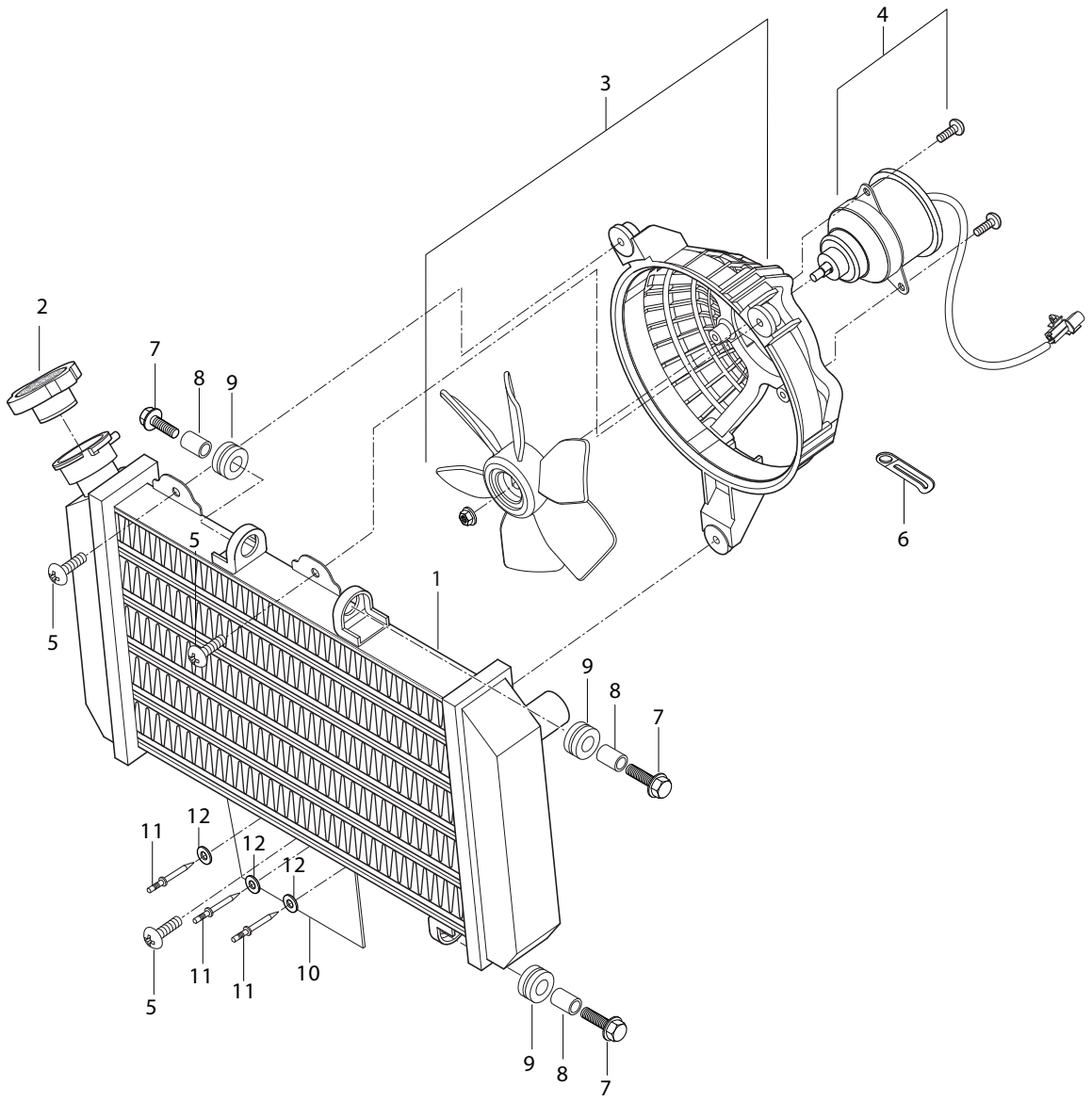


FIG 3. RADIATOR

REF. NO.	2008 7EU01/7G01/7S01/7F01	2009 9EG02/9EN01/9EU01.02 9F01/9G01/9S01	2009 9AT02	PART NAME	Q'TY	REMARKS	REC.Q'TY (PCS)
1	17710HN9102	17710HN9102	17710HN9102	RADIATOR COMP, water	1		5
2	17720HN9100	17720HN9100	17720HN9100	CAP COMP, radiator	1		5
3	17800HN9102	17800HN9102	17800HN9102	FAN ASS'Y, radiator	1		5
4	17810HN9100	17810HN9100	17810HN9100	MOTOR ASS'Y, radiator fan	1		5
5	02142-05165	02142-05165	02142-05165	BOLT, radiator fan	3		
6	09404-06429	09404-06429	09404-06429	CLAMP, radiator fan	1		
7	09116-06143	09116-06143	09116-06143	BOLT, radiator	3		15
8	09180-06030	09180-06030	09180-06030	SPACER, radiator	3		15
9	09320-10015	09320-10015	09320-10015	CUSHION, radiator	3		15
10	17761HN9100	17761HN9100	17761HN9100	MUD GUARD, radiator	1		5
11	09229-03011	09229-03011	09229-03011	RIVET, mud guard	3		35
12	68928-09F00	68928-09F00	68928-09F00	WASHER, mud guard rivet	3		
13	68150HN9100	68150HN9100	68150HN9100	PLATE, radiator	2		10
14	68170HN9100	68170HN9100	68170HN9100	LABEL, radiator	1		5

FIG 4

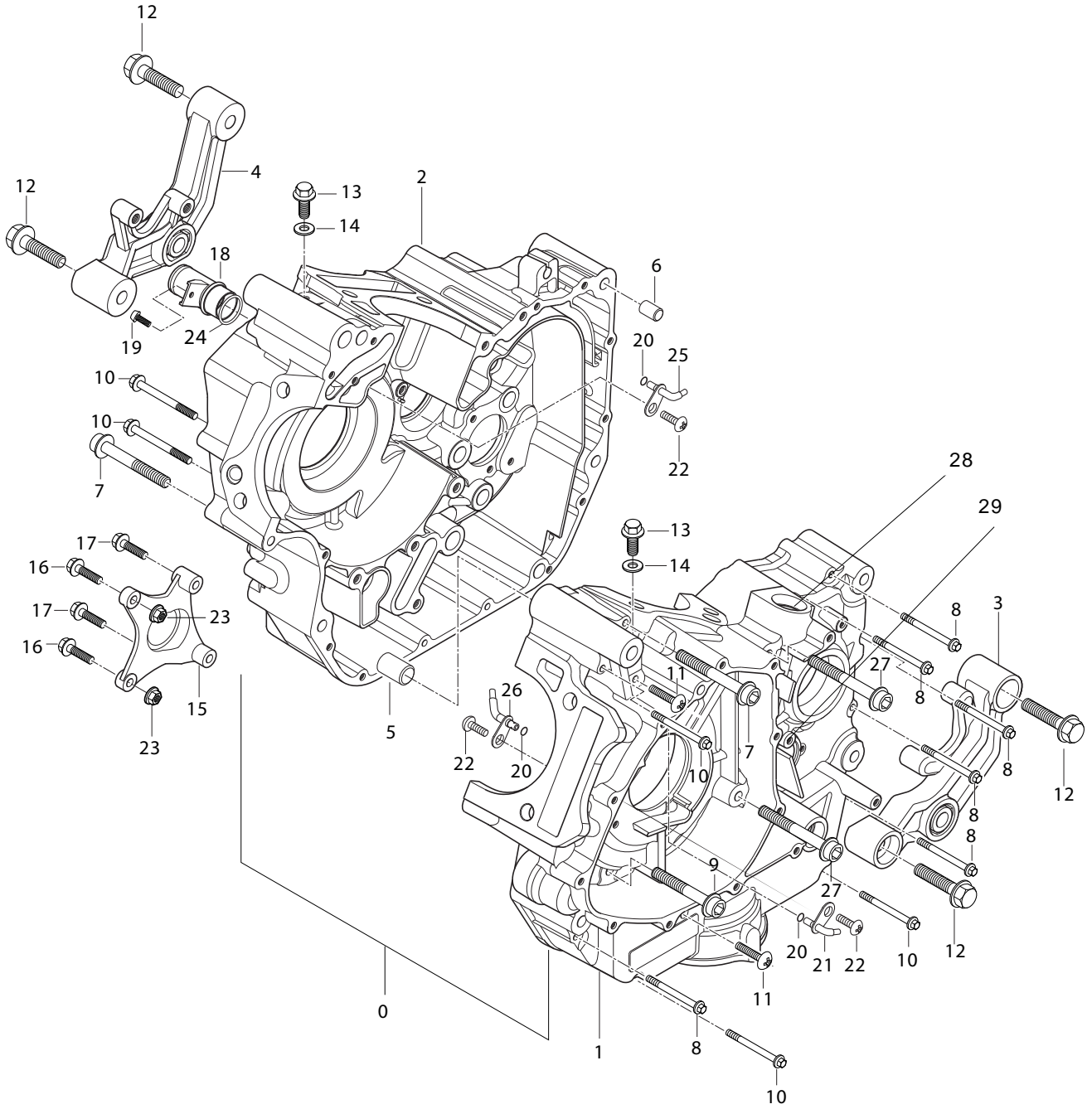


FIG 4. CRANK CASE

REF.	2008	2009		PART NAME	Q'TY	REMARKS	REC.Q'TY
NO.	7EU01/7G01/7S01/7F01	9EG02/9EN01/9EU01.02 9F01/9G01/9S01	9AT02				(PCS)
0	11300HN9100HPA	11300HN9100HPA	11300HN9100HPA	CRANKCASE ASS'Y	1		5
1	11320HN9100HPA	11320HN9100HPA	11320HN9110HPA	CRANKCASE COMP, L	1		5
2	11310HN9100HPA	11310HN9100HPA	11310HN9110HPA	CRANKCASE COMP, R	1		5
3	41171HN9101121	41171HN9101121	41171HN9101121	LINK, engine mounting L(Black)	1		5
4	41161HN9101121	41161HN9101121	41161HN9101121	LINK, engine mounting R(Black)	1		5
5	09206H18001	09206H18001	09206H18001	PIN, crank case knock	1		20
6	04213-13189	04213-13189	04213-13189	PIN, crank case knock	2		60
7	07120-08608	07120-08608	07120-08608	BOLT, crank case M8	2		10
8	01547-06608	01547-06608	01547-06608	BOLT, crank case M6	6		40
9	07120-08708	07120-08708	07120-08708	BOLT, crank case M8	2		10
10	01547-06808	01547-06808	01547-06808	BOLT, crankcase M6	6		25
11	02112-06958	02112-06958	02112-06958	SCREW, crankcase	2		10
12	01517-10458	01517-10458	01517-10458	BOLT, engine mounting link & cylhead	4		25
13	01514-08128	01514-08128	01514-08128	BOLT, oil gallery	2		30
14	09168-08008	09168-08008	09168-08008	GASKET, oil gallery bolt	2		30
15	31135HN91000S1	31135HN91000S1	31135HN91000S1	BRACKET, starter motor	1		
16	01547-06258	01547-06258	01547-06258	BOLT, starter motor braket	2		20
17	01547-06308	01547-06308	01547-06308	BOLT, starter motor	2		30
18	17481HN9100	17481HN9100	17481HN9100	UNION, water pump hose	1		5
19	07110-06108	07110-06108	07110-06108	BOLT, water hose union	1		
20	09280H04001	09280H04001	09280H04001	O-RING, oil jet	3		30
21	11440HN9100	11440HN9100	11440HN9100	JET COMP, starter clutch oil	1		5
22	02112-06108	02112-06108	02112-06108	SCREW, oil jet	3		15
23	08313-11068	08313-11068	08313-11068	NUT, starter motor bracket	2		15
24	09280H21001	09280H21001	09280H21001	O-RING, water pump union	1		5
25	11430HN9100	11430HN9100	11430HN9100	JET COMP, piston rear oil	1		5
26	11420HN9100	11420HN9100	11420HN9100	JET COMP, piston front oil	1		5
27	09103H08001	09103H08001	09103H08001	BOLT, crank case M8(L100)	2		10
28	09263H18001	09263H18001	09263H18001	BG, clutch release cam No1	1		
29	09263H10009	09263H10009	09263H10009	BG, clutch release cam No2	1		

FIG 5

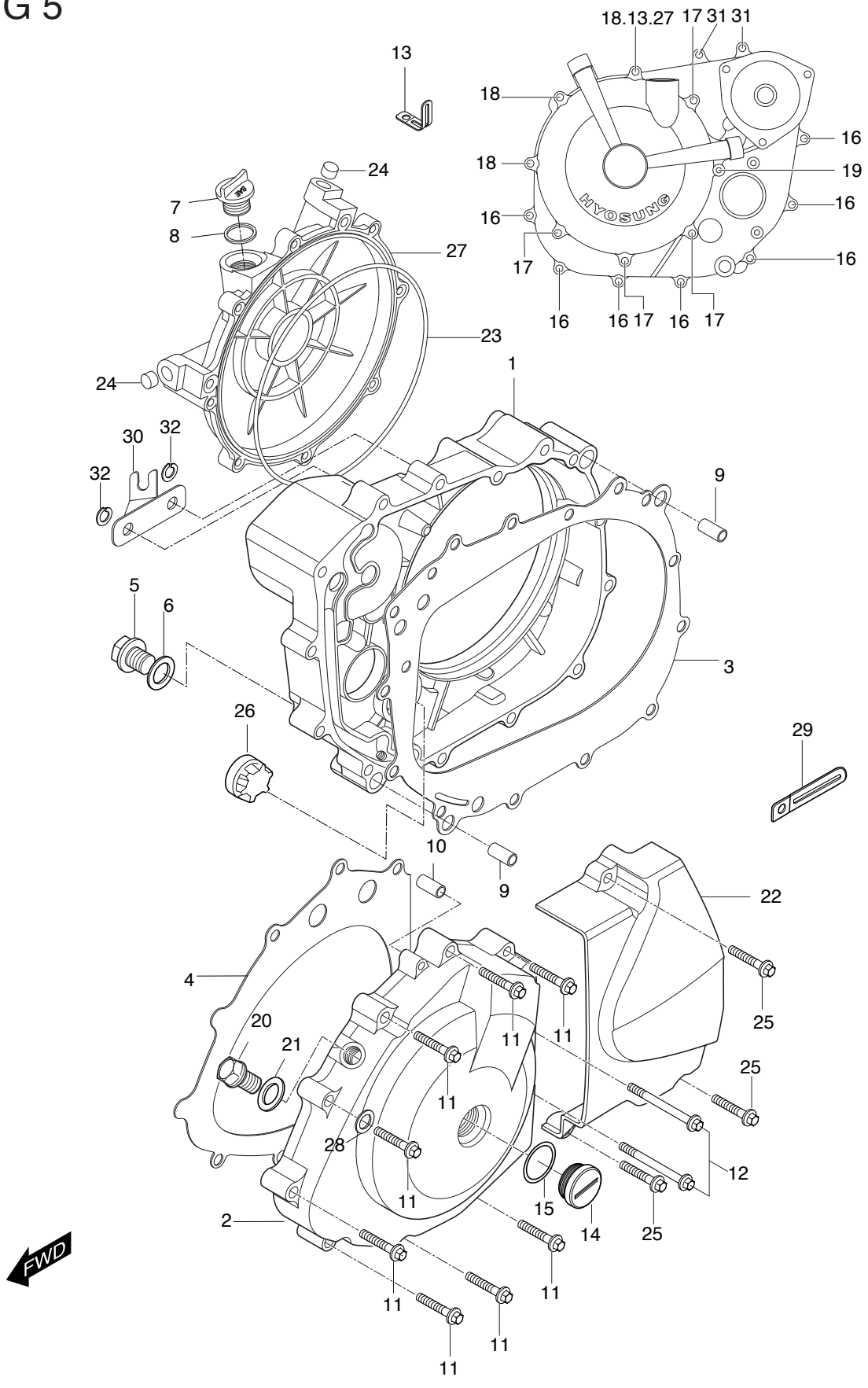
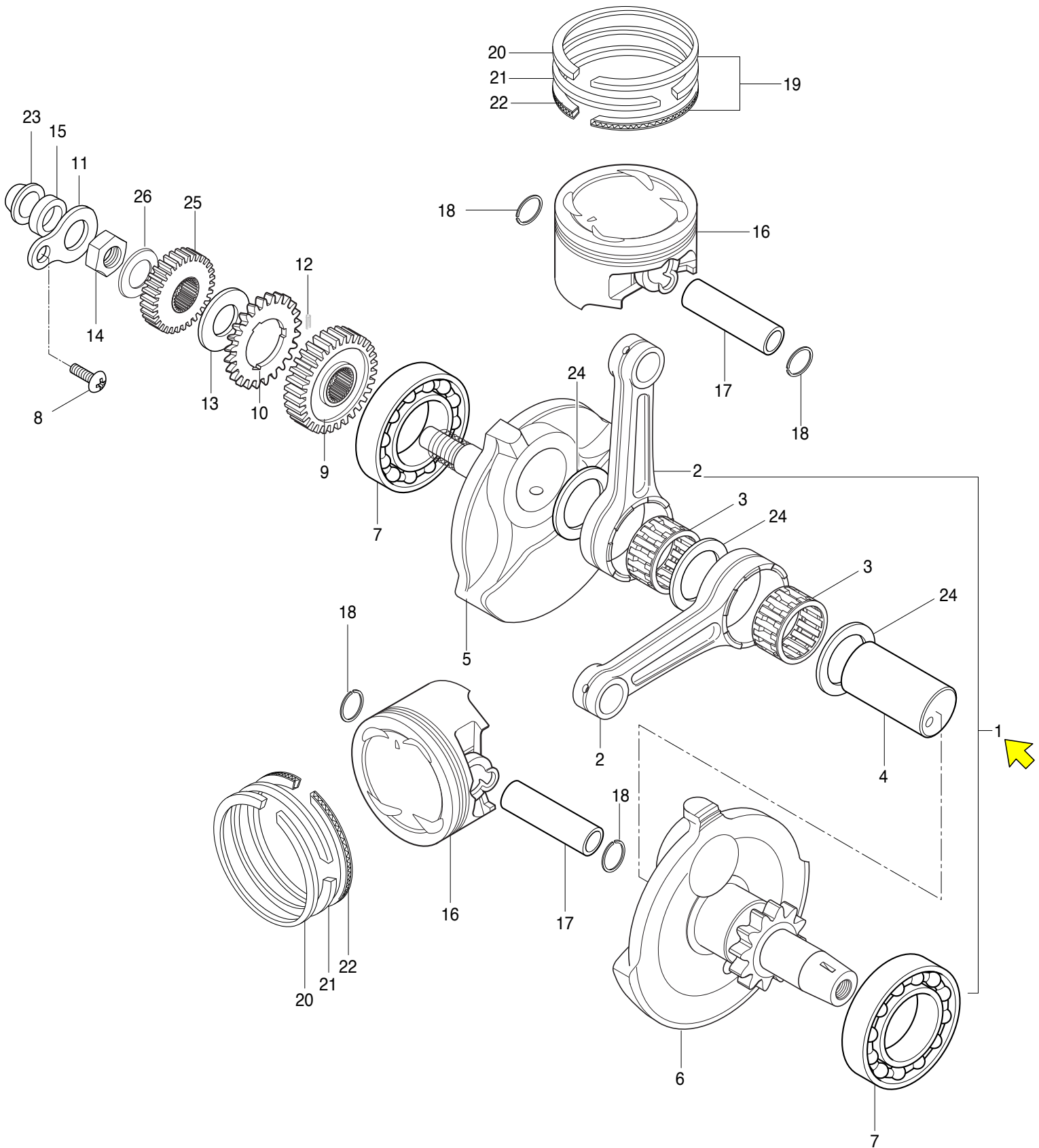


FIG 5. CRANK CASE COVER

REF. NO.	2008	2009		PART NAME	Q'TY	REMARKS	REC.Q'TY (PCS)
	7EU01/7G01/7S01/7F01	9EG02/9EN01/9EU01.02 9F01/9G01/9S01	9AT02				
1	11331SN9101HPA	11331SN9101HPA	11331SN9110HPA	COVER COMP, clutch (With oil lens & plug)	1		
2	11351HN91020S1	11351HN91020S1	11351HN9120121	COVER , magneto	1		5
3	11481HN9101	11481HN9101	11481HN9101	GASKET, clutch cover (NA)	1		5
4	11483HN9101	11483HN9101	11483HN9101	GASKET, magneto cover	1		5
5	09247-14026	09247-14026	09247-14026	PLUG, oil check	1		5
6	09168H14003	09168H14003	09168H14003	GASKET, oil check plug	1		10
7	09259-2000903P	09259-2000903P	09259-2000903P	PLUG, engine oil filler	1		5
8	09280-17003	09280-17003	09280-17003	O-RING, engine oil filler plug	1		5
9	04213-13189	04213-13189	04213-13189	PIN, clutch cover knock	2		60
10	04213-09129	04213-09129	04213-09129	PIN, magneto cover knock	1		5
11	01547-06358	01547-06358	01547-06358	BOLT, magneto cover	8		85
12	01547-06558	01547-06558	01547-06558	BOLT, magneto cover	2		10
13	09404-06401	09404-06401	09404-06401	CLAMP, clutch cover	1		
14	09259-2601503P	09259-2601503P	09259-2601503P	PLUG, crankshaft hole	1		5
15	09280-22008	09280-22008	09280-22008	O-RING, crankshaft hole plug	1		5
16	01547-06358	01547-06358	01547-06358	BOLT, clutch cover	9		85
17	01547-06258	01547-06258	01547-06258	BOLT, clutch cover outer	4		20
18	01547-06708	01547-06708	01547-06708	BOLT, clutch cover outer	3		15
19	01547-06508	01547-06508	01547-06508	BOLT, clutch cover outer	1		5
20	09247H12102	09247H12102	09247H12102	PLUG, TDC	1		5
21	09168H12003	09168H12003	09168H12003	GASKET, TDC plug	1		5
22	11361HN91000S1	11361HN91000S1	11361HN9100121	COVER, engine sprocket	1		5
23	11482HN9100	11482HN9100	11482HN9100	O-RING, clutch outer cover	1		5
24	09243-11005	09243-11005	09243-11005	PLUG, oil gallery	3		15
25	01547-06258	01547-06258	01547-06258	BOLT, engine sprocket cover	3		20
26	11332HN9100	11332HN9100	11332HN9100	LENS, oil level check	1		5
27	11341HN9101HPA	11341HN9101HPA	11341HN9110HPA	COV CLUTCH, outer	1		5
28	09168H06019	09168H06019	09168H06019	GASKET, magneto cover bolt	2		25
29	09404-06401	09404-06401	09404-06401	CLAMP	1		
30	13353HP9401	13353HP9401	13353HP9401	BRACKET, carburetor adjust	1		
31	01547-06408	01547-06408	01547-06408	BOLT,magnet cover	2		
32	08321-31088	08321-31088	08321-31088	LOCK, washer	2		

FIG 6



FWD

FIG 6. CRANK SHAFT

REF.	2008	2009		PART NAME	Q'TY	REMARKS	REC.Q'TY
NO.	7EU01/7G01/7S01/7F01	9EG02/9EN01/9EU01.02 9F01/9G01/9S01	9AT02				(PCS)
1	12200HN9100HPA	12200HN9100HPA	12200HN9100HPA	CRANK SHAFT ASS'Y	1		5
2	12161HN9101	12161HN9101	12161HN9101	ROD, connecting	2		10
3	09263H37001	09263H37001	09263H37001	BEARING, crank pin	2		10
4	12211HN9100HPA	12211HN9100HPA	12211HN9100HPA	PIN COMP, crank	1		5
5	12221HN9102CSA	12221HN9102CSA	12221HN9102CSA	CRANK SHAFT, R	1		5
6	12261HN9102CSA	12261HN9102CSA	12261HN9102CSA	CRANK SHAFT, L	1		5
7	09262H35001	09262H35001	09262H35001	BEARING, crank shaft	2		10
8	02112-06126	02112-06126	02112-06126	SCREW, crank shaft oil seal retainer	1		5
9	21111HN9100	21111HN9100	21111HN9100	GEAR, primary drive	1		5
10	21112HN9100	21112HN9100	21112HN9100	GEAR, primary drive NO.2	1		5
11	12281HN9100	12281HN9100	12281HN9100	RETAINER, crank shaft oil seal	1		5
12	21114-35C00	21114-35C00	21114-35C00	SPRING, primary drive gear	3		15
13	08211-22422	08211-22422	08211-22422	WASHER, primary drive gear thrust	1		5
14	09140H18001	09140H18001	09140H18001	NUT, primary drive gear	1		5
15	09282-12001	09282-12001	09282-12001	SEAL, crank shaft oil RH	1		5
16	12111HN9101	12111HN9101	12111HN9101	PISTON	2		10
17	12151HN9101	12151HN9101	12151HN9101	PIN, piston	2		10
18	09381H20001	09381H20001	09381H20001	CIRCLIP, piston pin	4		20
19	12140HN9100	12140HN9100	12140HN9100	RINGSET, piston	2		30
20	12141HN9100	12141HN9100	12141HN9100	RING, piston 1st	2		
21	12142HN9100	12142HN9100	12142HN9100	RING, piston 2nd	2		
22	12144HN9100	12144HN9100	12144HN9100	RING, piston oil	2		
23	12291HN9100	12291HN9100	12291HN9100	JET, crank shaft RH	1		5
24	09160H37001	09160H37001	09160H37001	WASHER, connrod thrust	3		15
25	17511HN9103	17511HN9103	17511HN9103	GEAR, water pump drive	1		5
26	09164H18001	09164H18001	09164H18001	WASHER, water pump drive gear lock	1		5
27	12212HN9100	12212HN9100	12212HN9100	PLUG, crank pim	2		

FIG.7

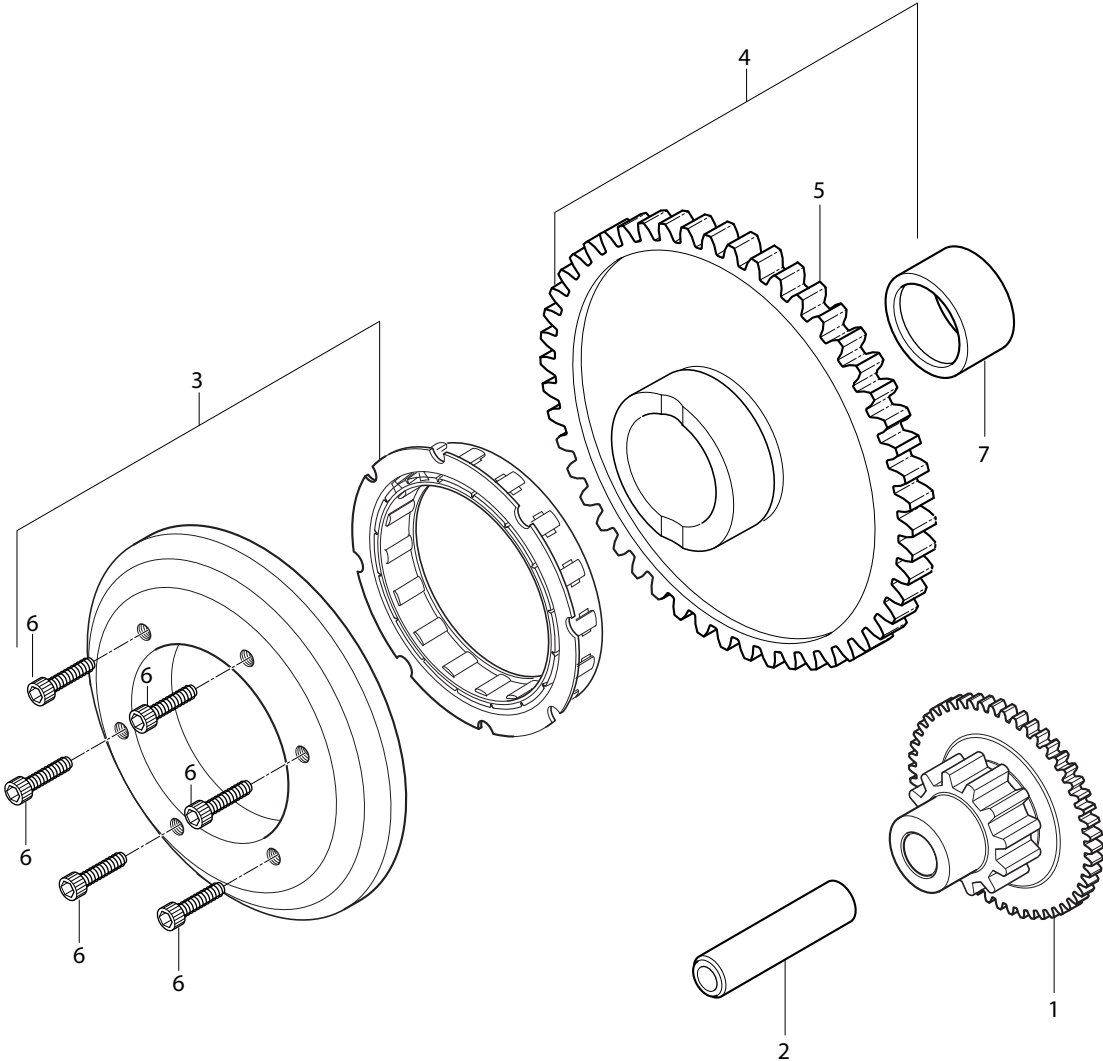


FIG 7. STARTER CLUTCH

REF. NO.	2008	2009		PART NAME	Q`TY	REMARKS	REC.Q`TY (PCS)
	7EU01/7G01/7S01/7F01	9EG02/9EN01/9EU01.02 9F01/9G01/9S01	9AT02				
1	12611HN9100	12611HN9100	12611HN9100	GEAR, starter idle	1		5
2	09206-13003	09206-13003	09206-13003	PIN,starter idle gear	1		5
3	12614HN9101	12614HN9101	12614HN9101	CLUTCH, starter one way	1		5
4	12620HN9102	12620HN9102	12620HN9102	GEAR COMP, starter clutch	1		5
5	12620HN9101	12620HN9101	12620HN9101	GEAR, starter clutch	1	NOT SALE	
6	07110-08168	07110-08168	07110-08168	BOLT, starter clutch	6		30
7	09304H27001	09304H27001	09304H27001	BUSH, starter clutch gear	1	NOT SALE	

FIG 8

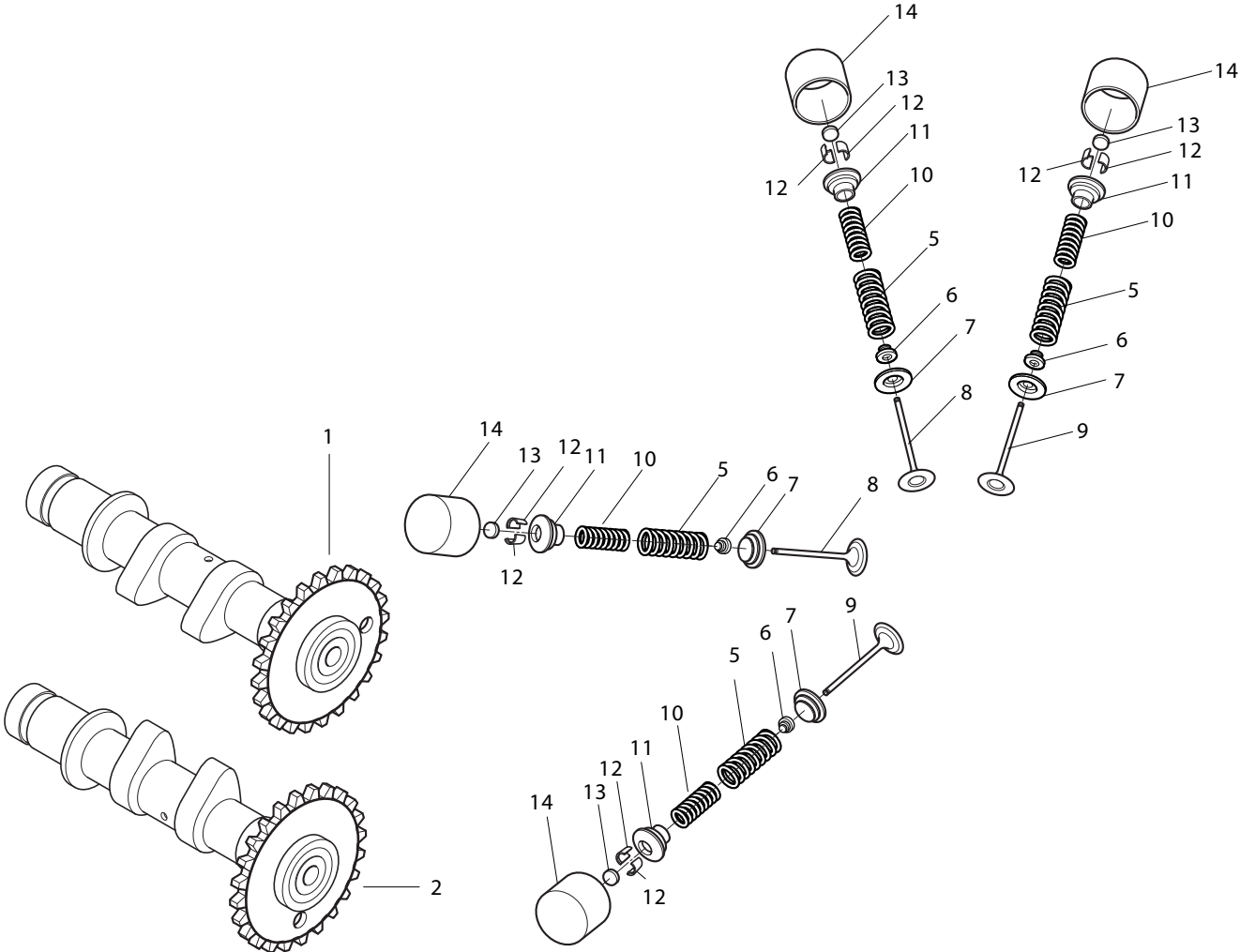
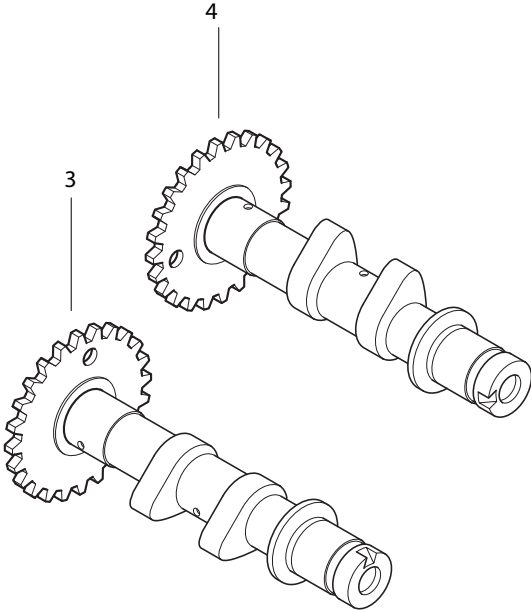


FIG 8. CAMSHAFT / VALVE

REF. NO.	2008 7EU01/7G01/7S01/7F01	2009 9EG02/9EN01/9EU01.02 9F01/9G01/9S01	2009 9AT02	PART NAME	Q'TY	REMARKS	REC.Q'TY (PCS)
1	12710HN9100HPA	12710HN9100HPA	12710HN9100HPA	CAMSHAFT ASS'Y, front intake	1		10
2	12730HN9100HPA	12730HN9100HPA	12730HN9100HPA	CAMSHAFT ASS'Y, front exhaust	1		10
3	12720HN9100HPA	12720HN9100HPA	12720HN9100HPA	CAMSHAFT ASS'Y, rear intake	1		10
4	12740HN9100HPA	12740HN9100HPA	12740HN9100HPA	CAMSHAFT ASS'Y, rear exhaust	1		10
5	12922HN9100	12922HN9100	12922HN9100	SPRING, valve outer	8		40
6	09289H04002	09289H04002	09289H04002	SEAL, valve stem oil	8		40
7	12933HN9100	12933HN9100	12933HN9100	SEAT, valve spring	8		40
8	12911HN9101	12911HN9101	12911HN9101	VALVE, intake	4		20
9	12912HN9101	12912HN9101	12912HN9101	VALVE, exhaust	4		20
10	12921HN9101	12921HN9101	12921HN9101	SPRING, valve inner	8		40
11	12931HN9100	12931HN9100	12931HN9100	RETAINER, valve spring	8		40
12	12932HJ8200	12932HJ8200	12932HJ8200	COTTER, valve	16		80
13	12892-05C00170	12892-05C00170	12892-05C00170	SHIM, tappet (size 120-220)	8		40
14	12881HN9100	12881HN9100	12881HN9100	TAPPET	8		40

FIG 9

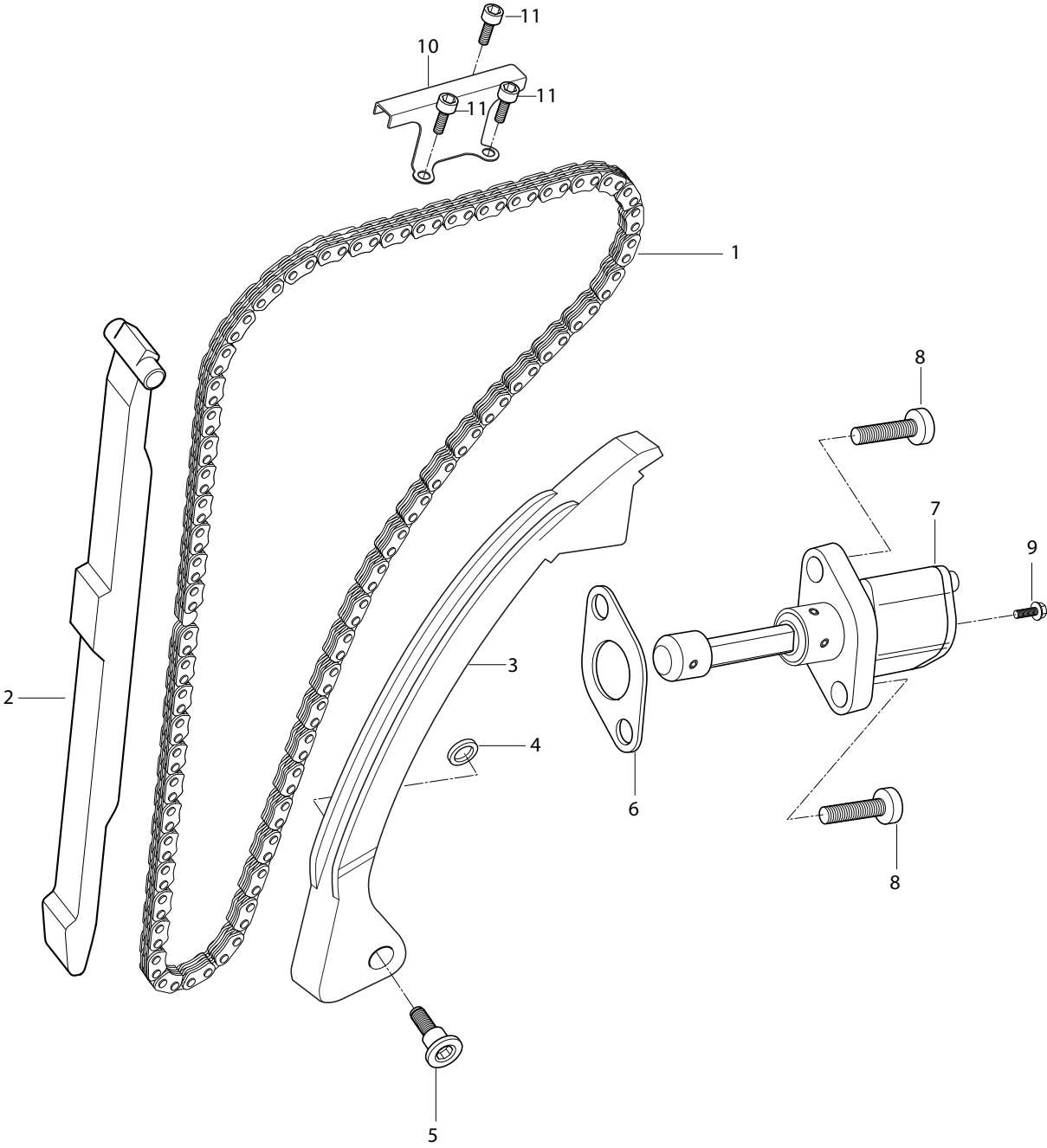
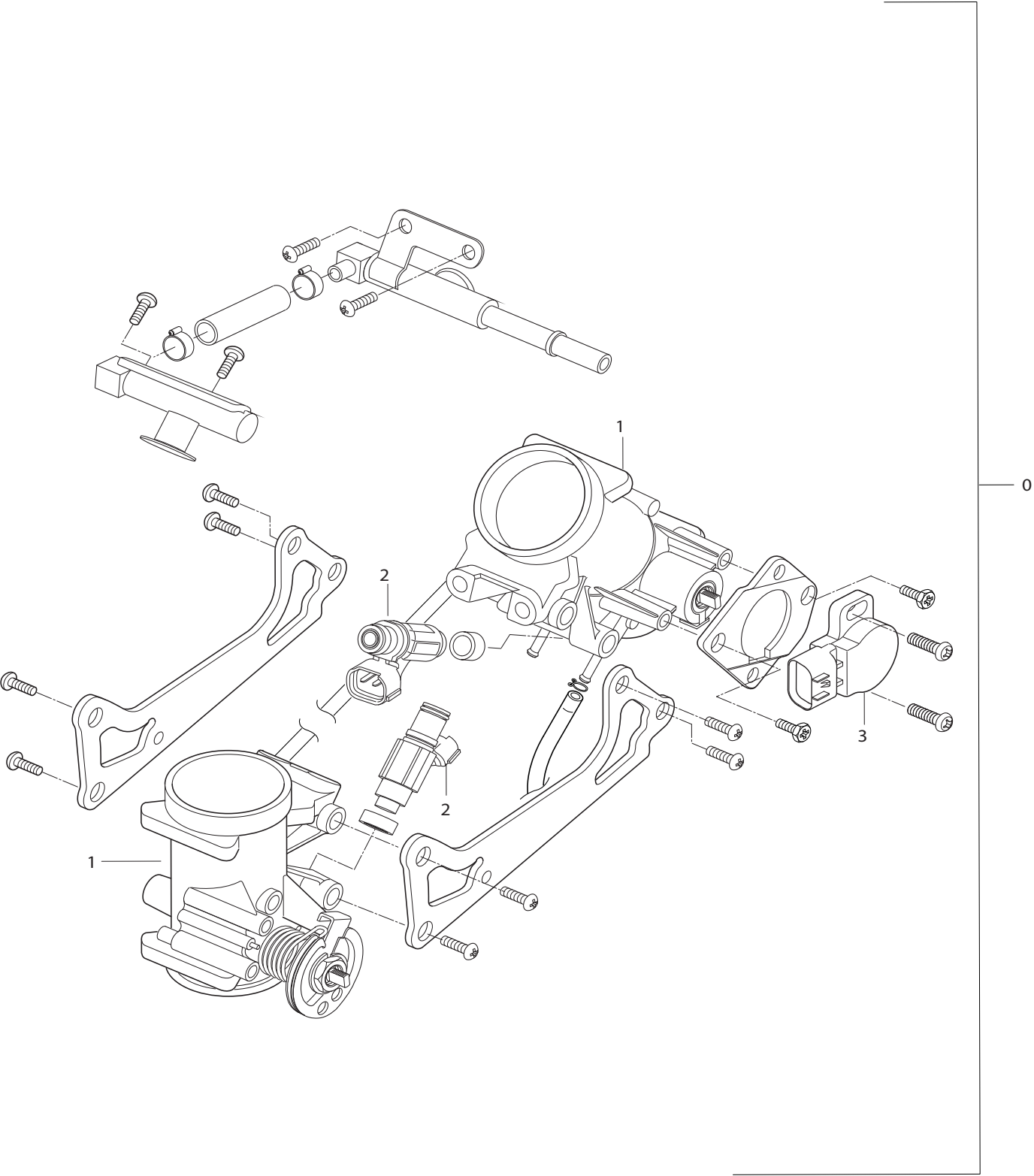


FIG 9. CAM CHAIN

REF. NO.	2008 7EU01/7G01/7S01/7F01	2009 9EG02/9EN01/9EU01.02 9F01/9G01/9S01	9AT02	PART NAME	Q'TY	REMARKS	REC.Q'TY (PCS)
1	12760HN9100	12760HN9100	12760HN9100	CHAIN COMP, camshaft drive	2		10
2	12771HN9100	12771HN9100	12771HN9100	GUIDE, camchain NO.1	2		10
3	12811HN9101	12811HN9101	12811HN9101	TENSIONER, camchain	2		10
4	08211-06181	08211-06181	08211-06181	WASHER, camchain tensioner bolt	2		10
5	12812HN9101	12812HN9101	12812HN9101	BOLT, camchain tensioner	1		5
6	12837HP8900	12837HP8900	12837HP8900	GASKET, tensioner adjuster	2		10
7	12830HN9120	12830HN9120	12830HN9120	ADJUSTER ASS'Y, tensioner	2		10
8	07110-06208	07110-06208	07110-06208	BOLT, tensioner adjuster	4		30
9	12839-38200	12839-38200	12839-38200	PLUG, adjuster	2		10
10	12782HN9100	12782HN9100	12782HN9100	GUIDE, camchain No.2	2		10
11	07110-06108	07110-06108	07110-06108	BOLT, camchain guide No.2	6		

FIG 10



FWD

FIG 10. THROTTLE BODY ASS'Y

REF. NO.	2008 7EU01/7G01/7S01/7F01	2009 9EG02/9EN01/9EU01.02 9F01/9G01/9S01	9AT02	PART NAME	Q'TY	REMARKS	REC.Q'TY (PCS)
0	13400HP9300	13400H89300	13400HP9310	BODY ASS'Y, throttle	1		10
		13400H89750	13400H89750	BODY ASS'Y, throttle for 25Kw (9EU02)			
1	13410HP9300	13410HP9300	13410HP9310	BODY COMP, throttle	2		
2	15710HP9300	15710HP9310	15710HP9310	INJECTOR	2		10
3	13580HP9301		13580HP9310	SENSOR, ihrottle position (tps)	1		10

FIG 11

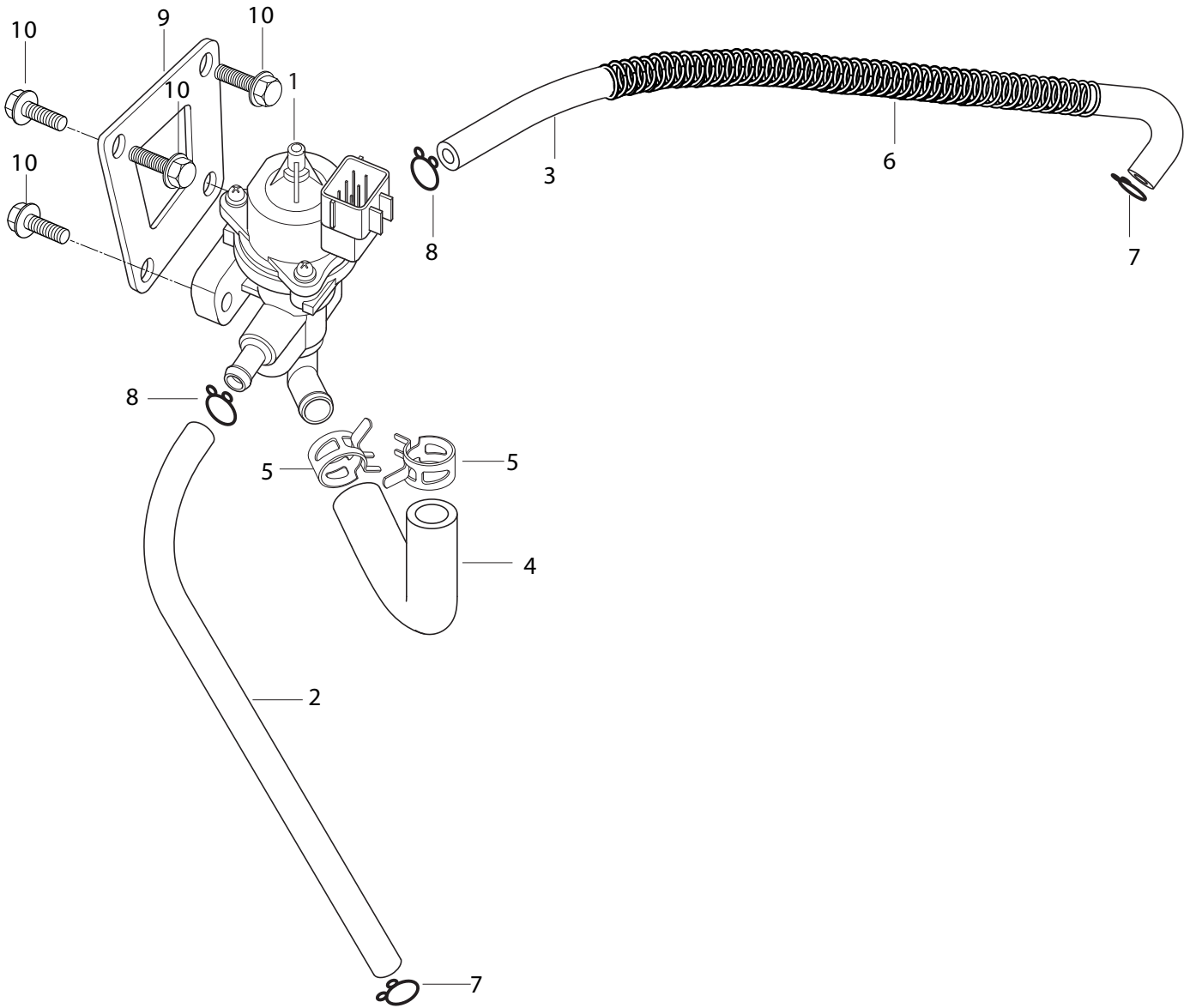


FIG 11.ISC

REF. NO.	2008 7EU01/7G01/7S01/7F01	2009 9EG02/9EN01/9EU01.02 9F01/9G01/9S01	9AT02	PART NAME	Q`TY	REMARKS	REC.Q`TY (PCS)
1	37940HP9300	37940HR8410	37940HR8410	IDLE SPEED CONTROL SENSOR	1		10
		37941HR8410	37941HR8410	VALVE ISC			
2	18741HR9800	18731H89800	18731H89800	HOSE, isc No.1	1		10
3	18741HP9300	18731H89300	18731H89300	HOSE, isc No.2	1		10
4	18751HP9300	18751H89300	18751H89300	HOSE, isc air cleaner	1		10
5	09401H16401	09401H16401	09401H16401	CLAMP, isc air cleaner hose	2		
6	09440-13019	09440-13019	09440-13019	SPRING, isc No.2 hose	1		10
7	09401-10401	09401-10401	09401-10401	CLIP, isc hose	2		10
8	09401H11401	09401H11401	09401H11401	CLIP, isc	2		10
9	13791HP9300	13791HP9300	13791HP9300	BRACKET, isc	1		5
10	01517-06005	01517-06005	01517-06005	BOLT, isc bracket	4		10

FIG.12

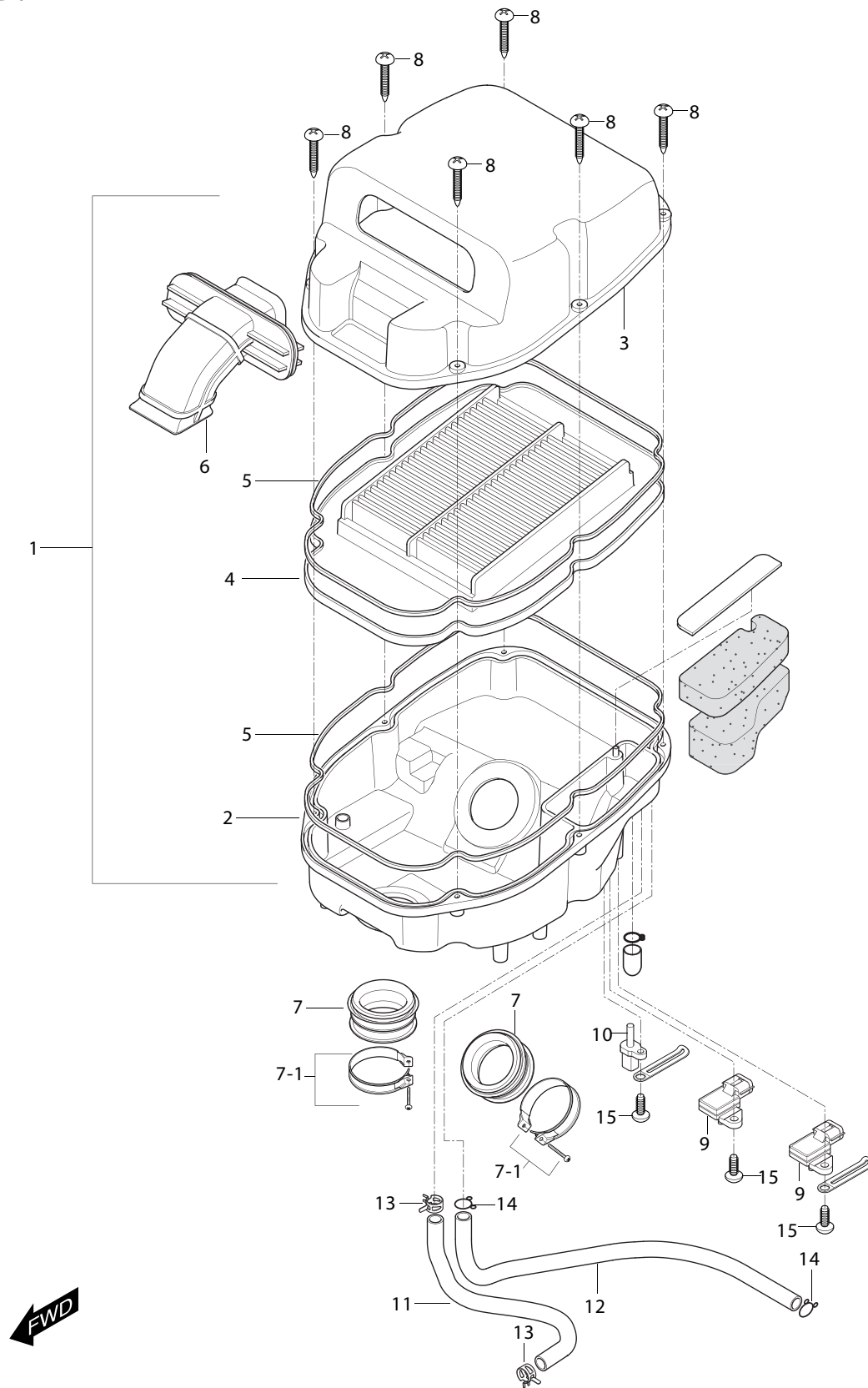


FIG 12. AIR CLEANER&CHAMBER

REF.	2008	2009	PART NAME	Q'TY	REMARKS	REC.Q'TY
NO.	7EU01/7G01/7S01/7F01	9EG02/9EN01/9EU01.02 9F01/9G01/9S01	9AT02			(PCS)
1	13700HP9300	13700H89301	13700H89301	CLEANER ASS'Y, air	1	5
2	13720HP9300	13720HP9300	13720HP9300	CASE COMP, air cleaner	1	NOT SALE
3	13770HP9300	13770HP9300	13770HP9300	CAP, air cleaner	1	NOT SALE
4	13780HP9300	13780HP9300	13780HP9300	FILTER COMP, air cleaner	1	20
5	13746HP9300	13746HP9300	13746HP9300	GASKET, air cleaner	2	10
6	13891HP9300	13891HP9300	13891HP9300	INLET, tube	1	NOT SALE
7	13881HP9300	13881HP9300	13881HP9300	OUTLET, tube	2	NOT SALE
7-1	09402-54207	09402-54207	09402-54207	CLAMP, outlet tube	2	
8	03241-05256	03241-05256	03241-05256	SCREW	6	
9	37920HP9300	37920H89300	37920H89300	INTAKE, air pressure sensor(iaps)	2	10
10	37930HP9300	37930H89300	37930H89300	INTAKE, air temperatvre sensor(iaps)	1	10
11	16821HP9800	16821HP9800	16821HP9800	HOSE, breather oil retrrn No.1	1	10
12	16831HN9101	16831HN9101	16831HN9101	HOSE, breather oil retrrn No.2	1	10
13	09401H16401	09401H16401	09401H16401	CLAMP, breather oil retrrn No.1	2	5
14	09401H14401	09401H14401	09401H14401	CLAMP, breather oil retrrn	2	5
15	03241-05125	03241-05125	03241-05125	SCREW	3	

FIG 13

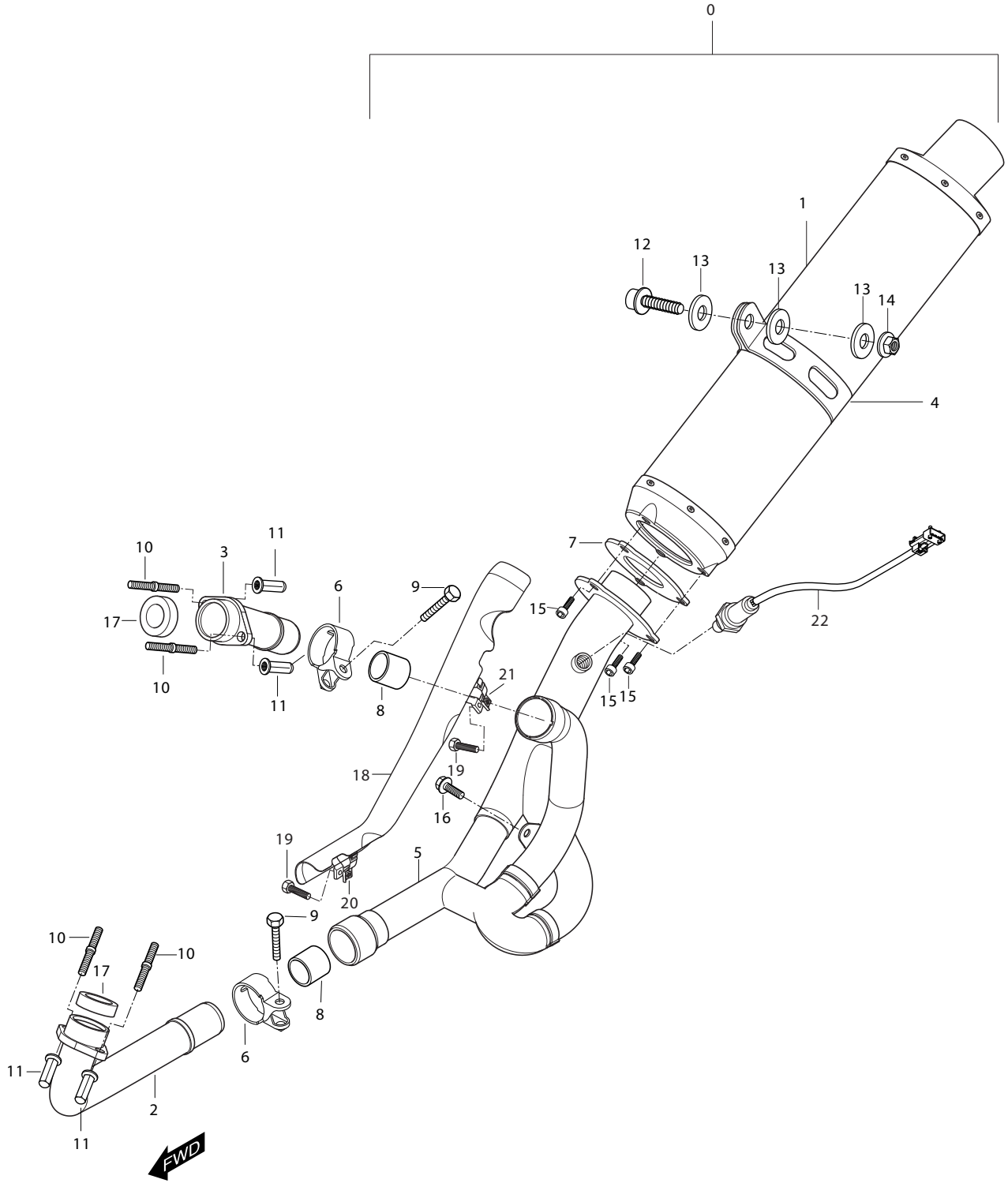


FIG 13. MUFFLER

REF. NO.	2008 7EU01/7G01/7S01/7F01	2009 9EG02/9EN01/9EU01.02 9F01/9G01/9S01	2009 9AT02	PART NAME	Q'TY	REMARKS	REC.Q'TY (PCS)
0	14305HP9300PLH	14305H89300PLH	14305H89300PLH	MUFFLER, ASS'Y	1		5
1	14310HP9300	14310H89300	14310H89300	BODY COMP, muffler	1		5
2	14160HN91020BF	14160HN91020BF	14160HN91030BF	PIPE COMP, exhaust front	1		5
3	14150HN91020BF	14150HN91020BF	14150HN91030BF	PIPE COMP, exhaust rear	1		5
4	14411HN91040BF	14411HN91040BF	14411HN91040BF	BRACKET, muffler support	1		5
5	14170HP93010BF	14170H893000BF	14170H893000BF	PIPE COMP, muffler joint	1		5
6	14770HN91010BF	14770HN91010BF	14770HN91010BF	CONNECTOR COMP, exhaust pipe	1		5
7	14314HN9101	14314HN9101	14314HN9101	GASKET, connector flange	1		5
8	14773HN9101	14773HN9101	14773HN9101	GASKET, connector exhaust pipe	2		10
9	01517-08358	01517-08358	01517-08358	BOLT, exhaust pipe connector comp	1		5
10	01421-08258	01421-08258	01421-08258	BOLT, exhaust pipe stud	2		10
11	09143H08001	09143H08001	09143H08001	NUT, exhaust pipe	2		
12	01517-10458	01517-10458	01517-10458	BOLT, muffler support	4		
13	09160-10102	09160-10102	09160-10102	WASHER, muffler support	4		20
14	08316-26108	08316-26108	08316-26108	NUT, muffler support	1		25
15	07120-08207	07120-08207	07120-08207	BOLT, connector flange	3		15
16	01137-08168	01137-08168	01137-08168	BOLT, muffler chamber bracket	1		5
17	14181HN9101	14181HN9101	14181HN9101	GASKET, exhaust	3		15
18	14186HN91000BF	14186HN91000BF	14186HN91000BF	COVER COMP, muffler	1		10
19	09110-06308	09110-06308	09110-06308	BOLT, exhaust pipe cover	2		5
20	14776HN9100	14776HN9100	14776HN9100	CLAMP OUTER, muffler cover No.1	1		5
21	14778HN9100	14778HN9100	14778HN9100	CLAMP OUTER, muffler cover No.2	1		5
22	37950HP9300	37950H89300	37950H89300	SENSOR ASS'Y, oxygen	1		10

FIG 14

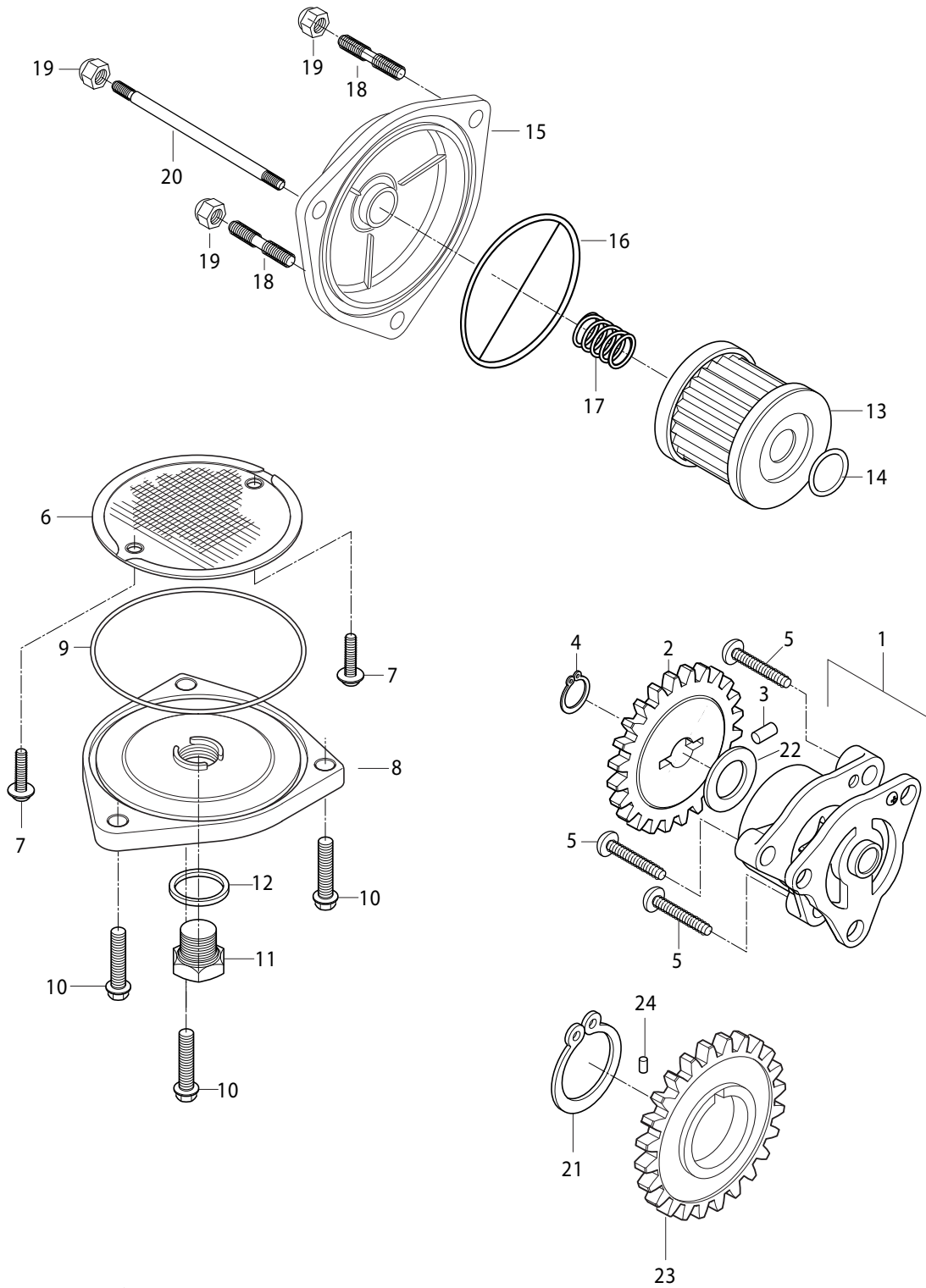


FIG 14. OIL PUMP

REF. NO.	2008 7EU01/7G01/7S01/7F01	2009 9EG02/9EN01/9EU01.02 9F01/9G01/9S01	2009 9AT02	PART NAME	Q'TY	REMARKS	REC.Q'TY (PCS)
1	16400HN9101	16400HN9101	16400HN9101	PUMP ASS'Y, oil	1		5
2	16331HN9101	16331HN9101	16331HN9101	GEAR, oil pump driven	1		5
3	09261H04001	09261H04001	09261H04001	PIN, oil pump driven gear	1		5
4	08331-31109	08331-31109	08331-31109	CIRCLIP, oil pump driven gear	1		5
5	02112-06258	02112-06258	02112-06258	SCREW, oil pump	3		15
6	16520HN9100	16520HN9100	16520HN9100	STRAINER COMP, engine oil	1		5
7	02112-95126	02112-95126	02112-95126	SCREW, engine oil strainer	2		
8	16523HN9100	16523HN9100	16523HN9100	CAP, oil strainer	1		5
9	09280H82001	09280H82001	09280H82001	O-RING, oil strainer cap	1		5
10	01547-06208	01547-06208	01547-06208	BOLT, oil strainer cap	3		35
11~1	09247-14019	09247-14019	09247-14019	PLUG, oil drain	1		5
12	09168H14003	09168H14003	09168H14003	GASKET, drain plug	1		10
13	16510HN9101	16510HN9101	16510HN9101	FILTER COMP, engine oil	1		5
14	09280H16001	09280H16001	09280H16001	O-RING, oil filter	1		5
15	16512HN91010S1	16512HN91010S1	16512HN91010S1	CAP, oil filter	1		5
16	09280H69001	09280H69001	09280H69001	O-RING, oil filter cap	1		5
17	09440H18001	09440H18001	09440H18001	SPRING, oil filter cap	1		5
18	01421-06128	01421-06128	01421-06128	BOLT, oil filter cap stud	2		10
19	08313-11068	08313-11068	08313-11068	NUT, oil filter cap	3		15
20	01421-06758	01421-06758	01421-06758	BOLT, oil filter cap stud	1		5
21	08331-31389	08331-31389	08331-31389	CIRCLIP, oil pump drive gear	1		10
22	08221-10185	08221-10185	08221-10185	SHIM, oil pump driven gear	1		10
23	16321HN9103	16321HN9103	16321HN9103	GEAR, oil pump drive	1		5
24	09261H06001	09261H06001	09261H06001	PIN, oil pump drive gear	1		5

FIG.15

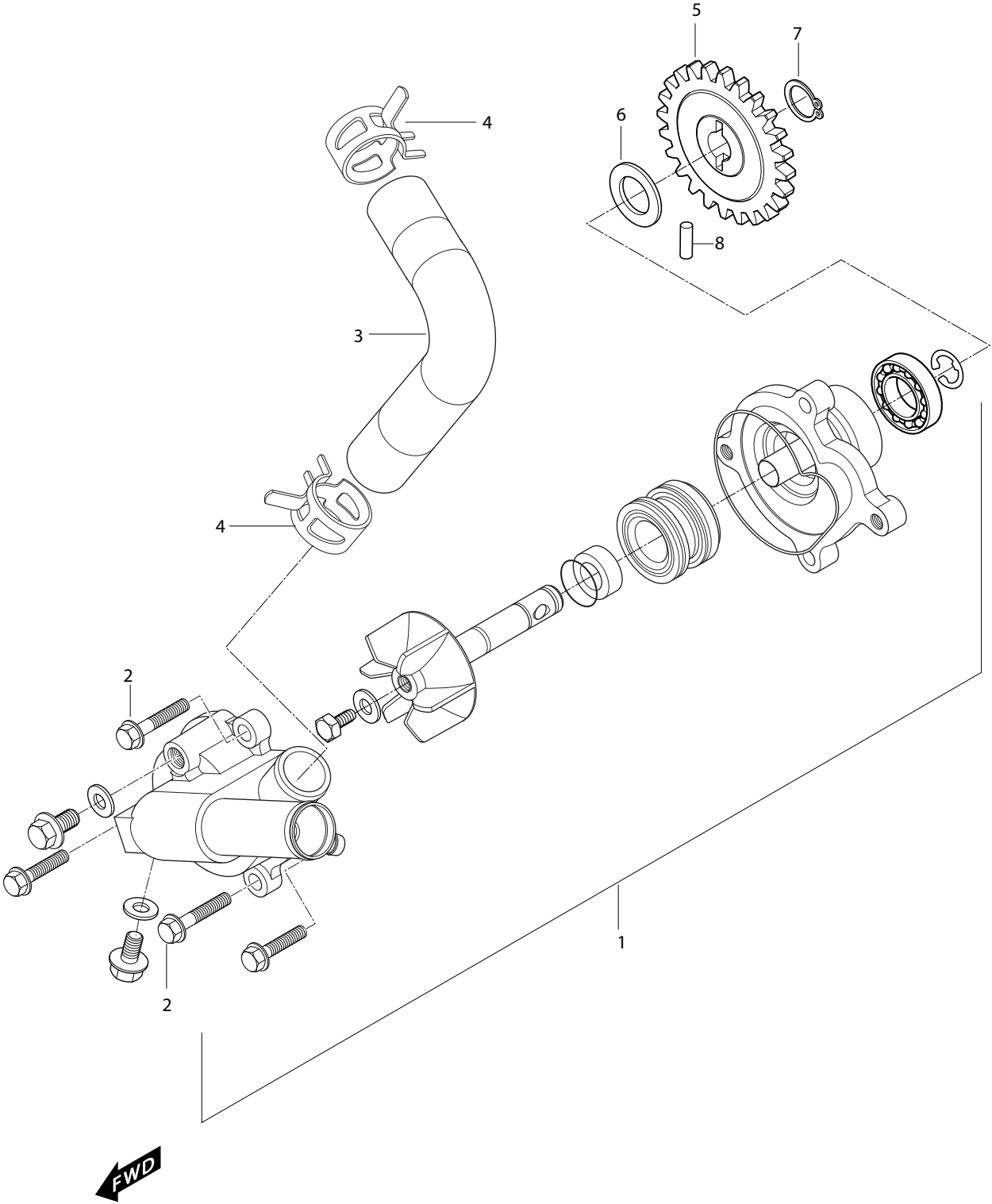


FIG 15. WATER PUMP

REF. NO.	2008 7EU01/7G01/7S01/7F01	2009 9EG02/9EN01/9EU01.02 9F01/9G01/9S01	9AT02	PART NAME	Q`TY	REMARKS	REC.Q`TY (PCS)
1	17400HN9102	17400HN9102	17400HN9102	PUMP ASS`Y, water	1		5
1-1	17410HN9100	17410HN9100	17410HN9100	CASE COMP,WATER PUMP			
1-2	17433HN9100	17433HN9100	17433HN9100	O-RING,WATER PUMP			
2	01547-06308	01547-06308	01547-06308	BOLT, water pump	2		30
3	17491HN9100	17491HN9100	17491HN9100	HOSE, water pump outlet	1		5
4	09401H26402	09401H26402	09401H26402	CLAMP, water pump hose	2		20
5	17521HN9105	17521HN9105	17521HN9105	GEAR, water pump driven	1		5
6	08221-10185	08221-10185	08221-10185	SHIM, water pump driven gear	1		10
7	08331-31109	08331-31109	08331-31109	CIRCLIP, water pump driven gear	1		10
8	09261H04001	09261H04001	09261H04001	PIN, water pump driven gear	1		10

FIG 16

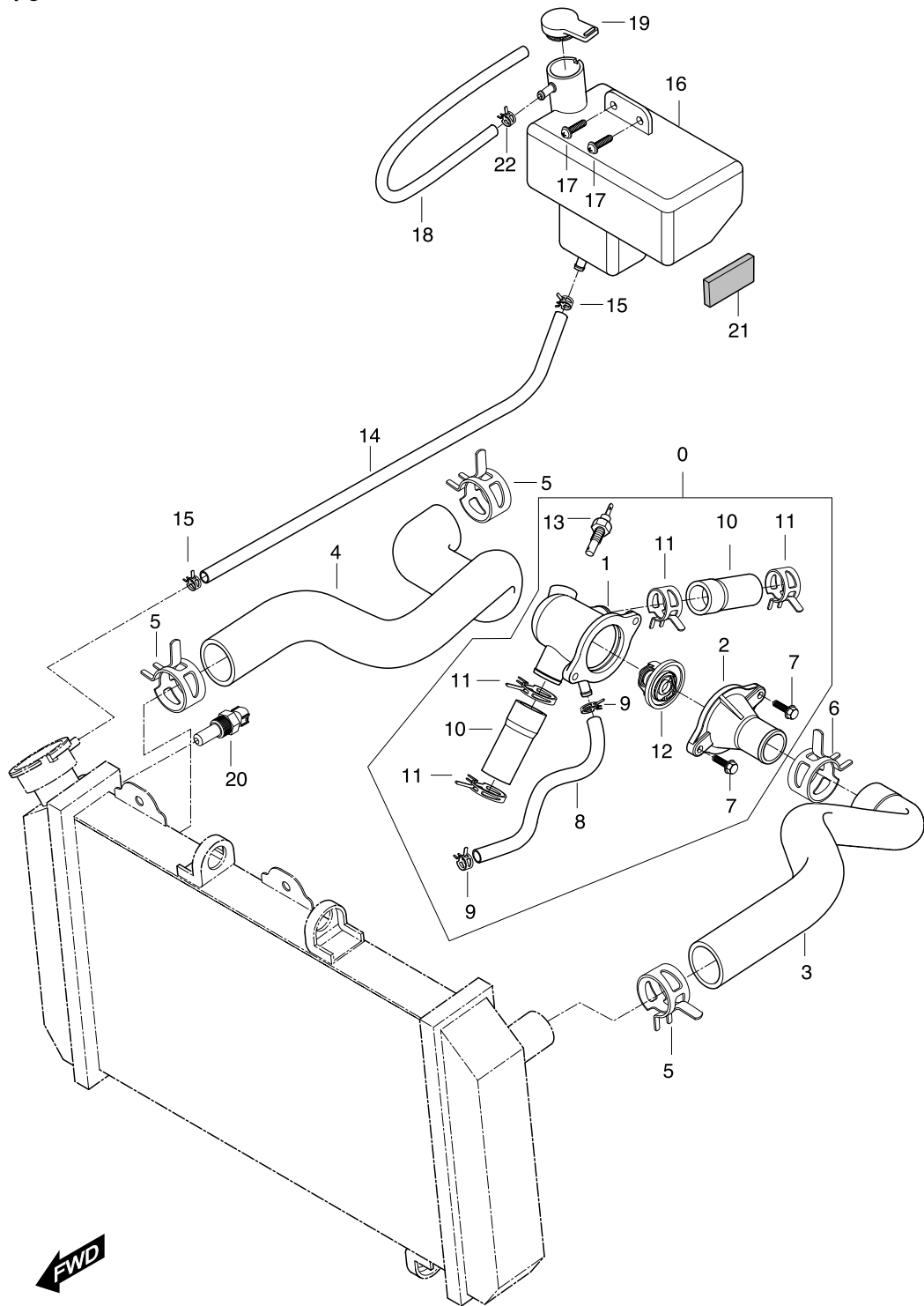


FIG 16. RADIATOR HOSE

REF. NO.	2008 7EU01/7G01/7S01/7F01	2009 9EG02/9EN01/9EU01.02 9F01/9G01/9S01	2009 9AT02	PART NAME	Q'TY	REMARKS	REC.Q'TY (PCS)
0	17610HP9300HPA	17610HP9300HPA	17610HP9300HPA	THERMOSTAT COMP	1		5
1	17621HP93000S1	17621HP93000S1	17621HP93000S1	CONNECTOR COMP, thermostat inlet	1		5
2	17631HN91000S1	17631HN91000S1	17631HN91000S1	CAP, thermostat connector	1		
3	17741HN9101	17741HN9101	17741HN9101	HOSE, radiator inlet	1		5
4	17751HN9101	17751HN9101	17751HN9101	HOSE, radiator outlet	1		5
5	09401H26402	09401H26402	09401H26402	CLAMP, radiator inlet hose radiator side	3		20
6	09401H31402	09401H31402	09401H31402	CLAMP, radiator inlet hose thermostat side	1		5
7	01547-06208	01547-06208	01547-06208	BOLT, thermostat connector	2		20
8	17641HN9100	17641HN9100	17641HN9100	HOSE, thermostat bypass	1		5
9	09401H13401	09401H13401	09401H13401	CLAMP, thermostat bypass hose	2		10
10	17661HN9100	17661HN9100	17661HN9100	HOSE, connector inlet	2		10
11	09401H24402	09401H24402	09401H24402	CLAMP, connector inlet hose	4		10
12	17610HN9100	17610HN9100	17610HN9100	THERMOSTAT COMP	1		5
13	17650HP9300	17650HP9300	17650HP9300	GAUGE UNIT, water temperature	1		5
14	17981HN9100	17981HN9100	17981HN9100	HOSE, reserver tank inlet	1		5
15	09401H11403	09401H11403	09401H11403	CLAMP, reserver tank	2		10
16	17911HN9104	17911HN9104	17911HN9104	TANK COMP, reserver	1		5
17	09136-06017	09136-06017	09136-06017	SCREW, reserver tank	2		15
18	17982HN9100	17982HN9100	17982HN9100	HOSE, reserver tank overflow	1		5
19	17921HN9100	17921HN9100	17921HN9100	CAP, reserver tank	1		5
20	17860HN9100	17860HN9100	17860HN9100	SWITCH ASS'Y, thermo	1		5
21	17912HN9100	17912HN9100	17912HN9100	CUSHION, reserver tank	1		5
22	09401-09101	09401-09101	09401-09101	CAP, reserver tank overflow	1		5
23	17622HN9101	17622HN9101	17622HN9101	UNION,thermost connector	1		5

FIG.17

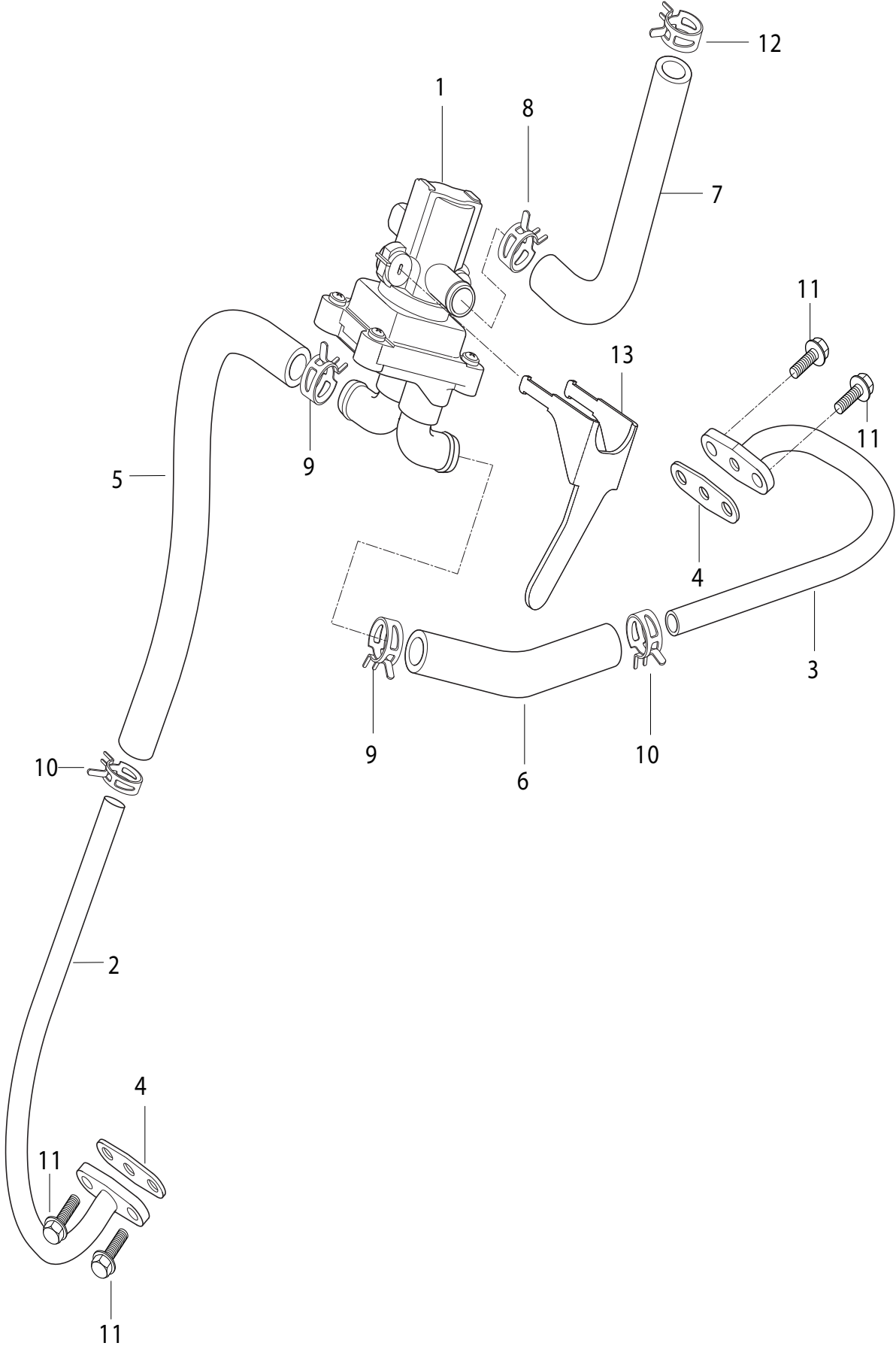


FIG 17. 2ND AIR

REF. NO.	2008 7EU01/7G01/7S01/7F01	2009 9EG02/9EN01/9EU01.02 9F01/9G01/9S01	9AT02	PART NAME	Q'TY	REMARKS	REC.Q'TY (PCS)
1	18500HP9300	18500H99700	18500H99700	VALVE ASS'Y, 2ND air	1		5
2	18610HN9101	18610HN9101	18610HN9101	PIPE COMP, 2ND air front	1		5
3	18620HN9101	18620HN9101	18620HN9101	PIPE COMP, 2ND air rear	1		5
4	18615HN9101	18615HN9101	18615HN9101	GASKET, 2ND air pipe	2		10
5	18631HP9300	18631HP9300	18631HP9300	HOSE, 2ND air pipe front	1		5
6	18641HP9300	18641HP9300	18641HP9300	HOSE, 2ND air pipe rear	1		5
7	18651HP9300	18651HP9300	18651HP9300	HOSE, 2ND air cleaner	1		5
8	09401H16401	09401H16401	09401H16401	CLAMP, 2ND air cleaner hose	1		5
9	09401H16401	09401H16401	09401H16401	CLAMP, 2ND air pipe hose	2		10
10	09401H15401	09401H15401	09401H15401	CLAMP, 2ND air pipe	2		10
11	09128-06005	09128-06005	09128-06005	BOLT, 2ND air pipe	4		10
12	09401H12401	09401H12401	09401H12401	CLAMP, 2ND air cleaner	1		10
13	18590HP9300	18590HP9300	18590HP9300	BRACKET, 2ND air valve	1		3

FIG 18

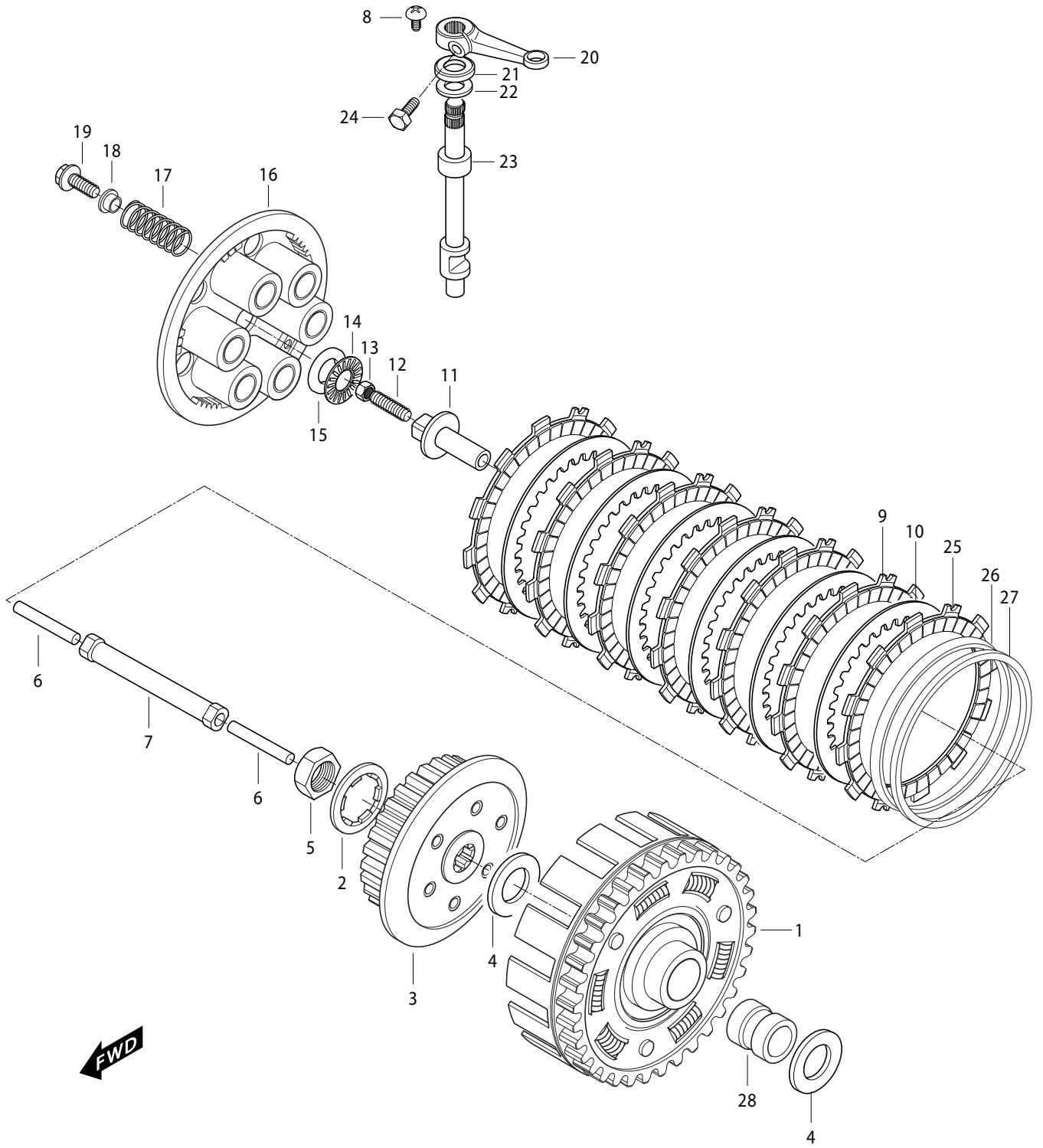


FIG 18. CLUTCH ASSY

REF. NO.	2008	2009		PART NAME	Q'TY	REMARKS	REC.Q'TY (PCS)
	7EU01/7G01/7S01/7F01	9EG02/9EN01/9EU01.02 9F01/9G01/9S01	9AT02				
1	21210HN9101HPA	21210HN9101HPA	21210HN9101HPA	GEAR COMP, primary driven	1		5
2	09167H20001	09167H20001	09167H20001	WASHER, clutch sleeve hub thrust	1		5
3	21411HN9102	21411HN9102	21411HN9102	HUB, clutch sleeve	1		5
4	09160H20003	09160H20003	09160H20003	WASHER, primary driven gear thrust	1		10
5	09140H20001	09140H20001	09140H20001	NUT, clutch sleeve hub	1		5
6	23114HN9100	23114HN9100	23114HN9100	ROD, clutch push	1		5
6-1	23115HN9100	23115HN9100	23115HN9100	ROD,CLUTCH PUSH NO.2	1		5
7	23110HN9102	23110HN9102	23110HN9102	ROD COMP, clutch push M	1		5
8	09136-06017	09136-06017	09136-06017	STOPPER, clutch release camshaft oil seal	1		15
9	21441HN9100	21441HN9100	21441HN9100	PLATE, clutch drive	6		30
10	21451HN9100	21451HN9100	21451HN9100	PLATE, clutch driven	6		30
11	23121-38201	23121-38201	23121-38201	PIECE, clutch push	1		5
12	09134-06010	09134-06010	09134-06010	SCREW, clutch release adjuster	1		5
13	08310-22068	08310-22068	08310-22068	NUT, clutch release adjust	1		5
14	09263H15001	09263H15001	09263H15001	BEARING, clutch release thrust	1		5
15	09160-15015	09160-15015	09160-15015	WASHER, clutch release thrust	1		5
16	21462HN9101	21462HN9101	21462HN9101	DISK, clutch pressure	1		5
17	09440H20003	09440H20003	09440H20003	SPRING, clutch	6		30
18	21471HN9102	21471HN9102	21471HN9102	RETAINER, clutch spring	6		30
19	09100H06009	09100H06009	09100H06009	BOLT, clutch spring	6		30
20	23271HN9100	23271HN9100	23271HN9100	ARM, clutch release	1		5
21	09282H12002	09282H12002	09282H12002	OIL SEAL, clutch release camshaft	1		5
22	08211-12281	08211-12281	08211-12281	THRUST WASHER, clutch release cam shaft	1		5
23	23122HN9100	23122HN9100	23122HN9100	SHAFT, clutch release cam	1		5
24	01107-06208	01107-06208	01107-06208	BOLT, clutch release arm	1		5
25	21442HN9100	21442HN9100	21442HN9100	PLATE, clutch drive No.2	1		5
26	21443HN9100	21443HN9100	21443HN9100	WASHER, clutch wave	1		5
27	21444HN9101	21444HN9101	21444HN9101	SEAT, clutch wave washer	1		5
28	21251HN9102	21251HN9102	21251HN9102	SPACER, primary driven gear	1		5

FIG.19

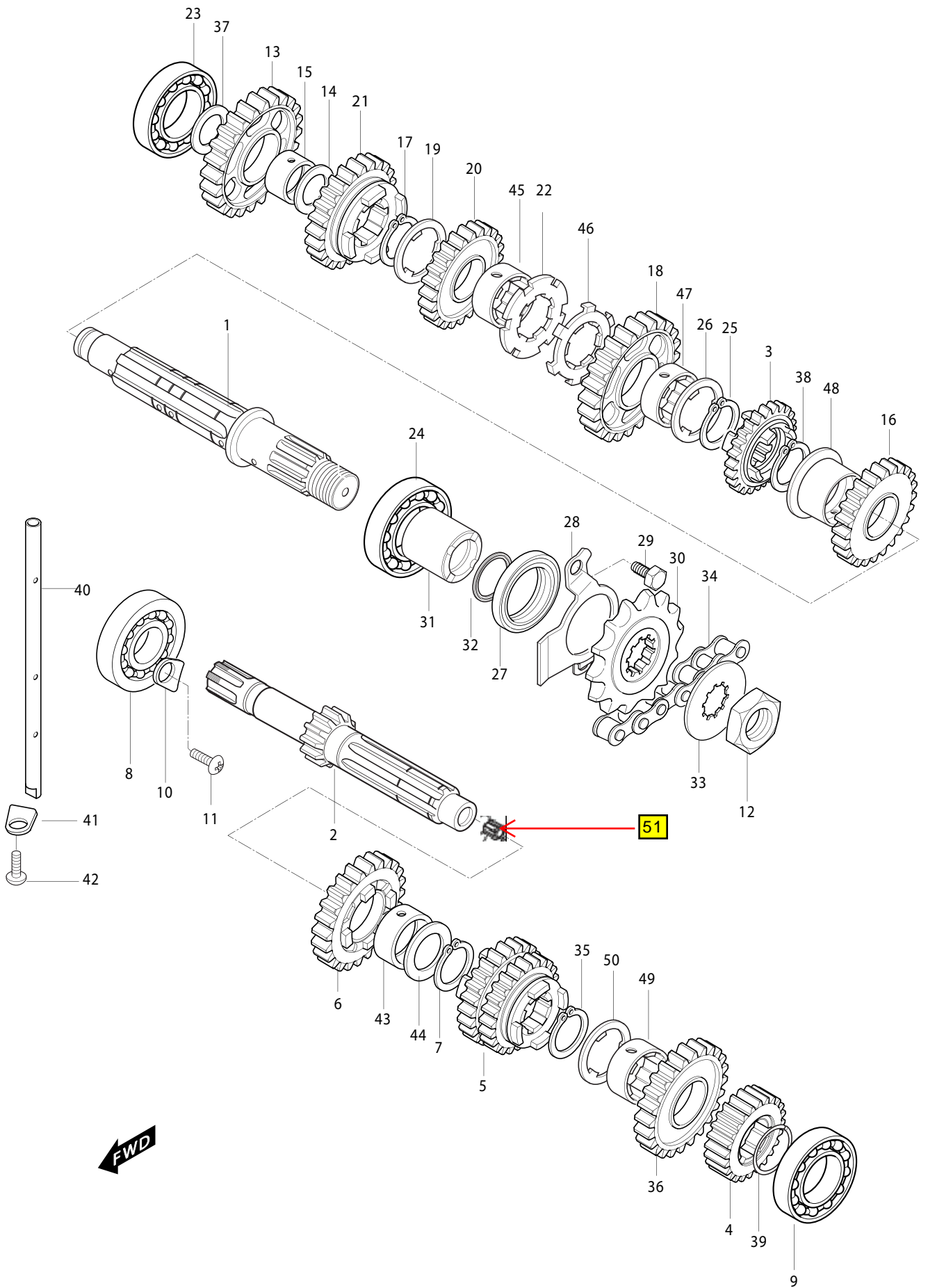


FIG 19. TRANSMISSION

REF. NO.	2008	2009		PART NAME	Q'TY	REMARKS	REC.Q'TY (PCS)
	7EU01/7G01/7S01/7F01	9EG02/9EN01/9EU01.02 9F01/9G01/9S01	9AT02				
0	24200HN9100HPA	24200HN9100HPA	24200HN9100HPA	MISSION GEAR SET	1		5
*	24121HN9104HPA	24121HN9104HPA	24121HN9104HPA	SHAFT, drive ASS'Y	1		5
*	24131HN9100HPA	24131HN9100HPA	24131HN9100HPA	SHAFT, counter ASS'Y	1		5
1	24130HN9100HPA	24130HN9100HPA	24130HN9100HPA	SHAFT COMP, drive	1		5
2	24121HN9104	24121HN9104	24121HN9104	SHAFT COMP, counter	1		5
3	24361HN9101	24361HN9101	24361HN9101	GEAR, 6th driven	1		5
4	24221HN9102	24221HN9102	24221HN9102	GEAR, 2nd drive	1		5
5	24231HN9101	24231HN9101	24231HN9101	GEAR, 3rd & 4th drive	1		5
6	24251HN9101	24251HN9101	24251HN9101	GEAR, 5th drive	1		5
7	09380H25001	09380H25001	09380H25001	CIRCLIP, 5th drive gear	1		25
8	08113-63040	08113-63040	08113-63040	BEARING, counter shaft R(#6304)	1		5
9	08123-63050	08123-63050	08123-63050	BEARING, counter shaft L(#6305)	1		5
10	24741HN9100	24741HN9100	24741HN9100	RETAINER, counter shaft bearing	1		20
11	02112-06128	02112-06128	02112-06128	SCREW, counter shaft bearing retainer	1		10
12	09159H20001	09159H20001	09159H20001	NUT, engine sprocket	1		5
13	24311HN9100	24311HN9100	24311HN9100	GEAR, 1st driven	1		5
14	09181H20001	09181H20001	09181H20001	SHIM, 1st driven gear	1		5
15	24312HN9100	24312HN9100	24312HN9100	BUSH,1st driven gear	1		5
16	24321HN9101	24321HN9101	24321HN9101	GEAR, 2nd driven	1		5
17	09380H25001	09380H25001	09380H25001	CIRCLIP, 4th driven gear	1		25
18	24331HN9101	24331HN9101	24331HN9101	GEAR, 3rd driven	1		5
19	09167H25001	09167H25001	09167H25001	THRUST WASHER, 4th driven gear	1		15
20	24341HN9100	24341HN9100	24341HN9100	GEAR, 4th driven	1		5
21	24351HN9101	24351HN9101	24351HN9101	GEAR, 5th driven	1		5
22	09167H25002	09167H25002	09167H25002	WASHER, 3rd &4th driven gear thrust	1		5
23	08113-62030	08113-62030	08113-62030	BEARING, drive shaft R	1		5
24	08123-63050	08123-63050	08123-63050	BEARING, drive shaft L	1		5
25	09380H25001	09380H25001	09380H25001	CIRCLIP, 3rd driven gear	1		25
26	09167H25001	09167H25001	09167H25001	THRUST WASHER, 3rd driven gear	1		15
27	09282H36002	09282H36002	09282H36002	OIL SEAL, drive shaft	1		5
28	24751HN9100	24751HN9100	24751HN9100	RETAINER, drive shaft oil seal	1		5

FIG.19

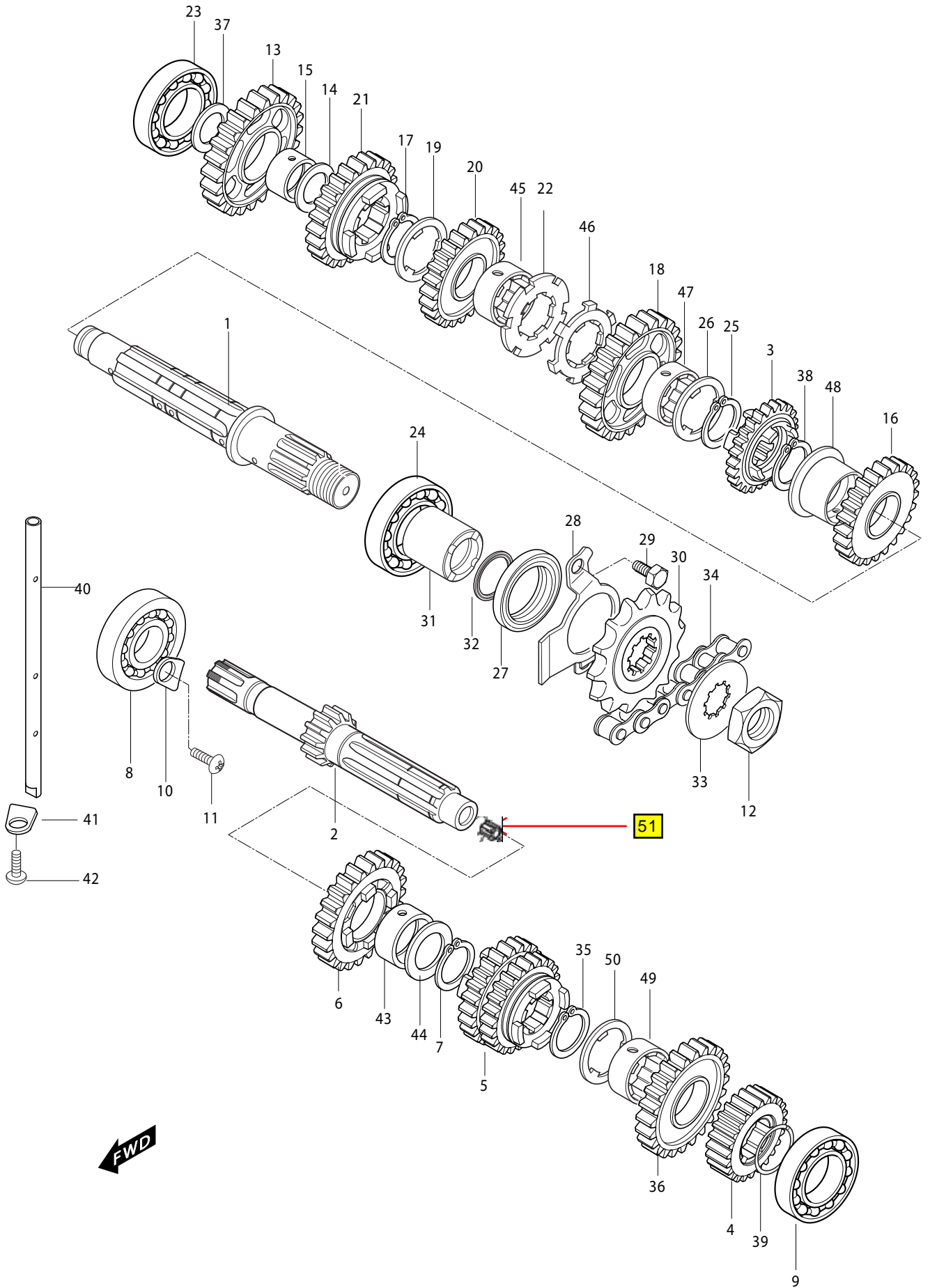


FIG 19-1. TRANSMISSION

REF. NO.	2008 7EU01/7G01/7S01/7F01	2009 9EG02/9EN01/9EU01.02 9F01/9G01/9S01	2009 9AT02	PART NAME	Q'TY	REMARKS	REC.Q'TY (PCS)
29	01107-06106	01107-06106	01107-06106	BOLT, drive shaft oil seal retainer	1		10
30	27510HN9100	27510HN9100	27510HN9100	SPROCKET COMP, engine 15T(#525)	1		5
31	27531HN9100	27531HN9100	27531HN9100	SPACER, engine sprocket	1		5
32	09280H24001	09280H24001	09280H24001	O-RING, engine sprocket	1		5
33	09167H25004	09167H25004	09167H25004	LOCK WASHER, engine sprocket	1		15
34	27600HN9100	27600HN9100	27600HN9100	CHAIN ASS'Y, drive 108L(#525)	1		5
35	09380H25001	09380H25001	09380H25001	CILCLIP, 6th driven gear	1		25
36	24261HN9101	24261HN9101	24261HN9101	GEAR, 6th drive	1		5
37	09181H17001	09181H17001	09181H17001	SHIM, drive shaft	1		5
38	09380H25001	09380H25001	09380H25001	CILCLIP, 2nd drive gear	1		25
39	09380H22001	09380H22001	09380H22001	CILCLIP, 2nd drive gear	1		5
40	24761HN9102	24761HN9102	24761HN9102	PIPE, transmission oil	1		5
41	24741HN9100	24741HN9100	24741HN9100	RETAINER, transmission oil pipe	1		20
42	02112-06128	02112-06128	02112-06128	SCREW, transmission oil pipe retainer	1		10
43	24252HN9100	24252HN9100	24252HN9100	BUSH, 5th drive gear	1		5
44	09181H25001	09181H25001	09181H25001	SHIM, 5th drive gear	1		5
45	24332HN9100	24332HN9100	24332HN9100	BUSH, 4th drive gear	1		5
46	09167H25003	09167H25003	09167H25003	WASHER, thrust washer lock	1		5
47	24332HN9100	24332HN9100	24332HN9100	BUSH, 3rd driven gear	1		5
48	24322HN9100	24322HN9100	24322HN9100	BUSH, 2nd driven gear	1		5
49	24262HN9100	24262HN9100	24262HN9100	BUSH, 6th drive gear	1		5
50	09167H25001	09167H25001	09167H25001	WASHER, 6th drive gear	1		5
51	24125-38201	24125-38201	24125-38201	BUSH	2		5

FIG 20

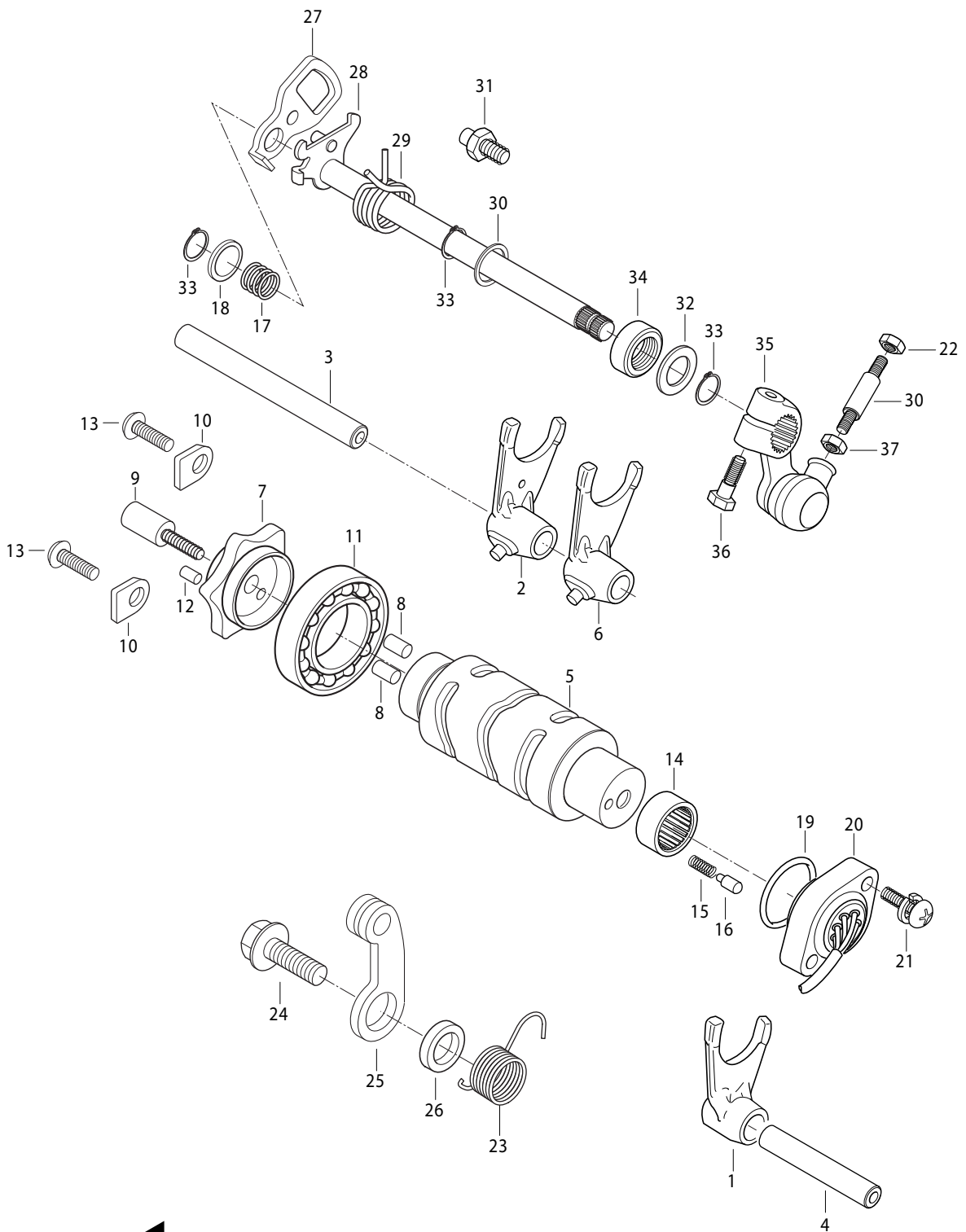


FIG 20. GEAR SHIFTING

REF. NO.	2008	2009		PART NAME	Q'TY	REMARKS	REC.Q'TY (PCS)
	7EU01/7G01/7S01/7F01	9EG02/9EN01/9EU01.02 9F01/9G01/9S01	9AT02				
1	25231HN9100	25231HN9100	25231HN9100	FORK, gear shift No.3	1		5
2	25211HN9100	25211HN9100	25211HN9100	FORK, gear shift No.1	1		5
3	25411HN9100	25411HN9100	25411HN9100	SHAFT, gear shift fork No.1	1		5
4	25421HN9100	25421HN9100	25421HN9100	SHAFT, gear shift fork No.2	1		5
5	25310HN9102	25310HN9102	25310HN9102	CAM COMP, gear shift	1		5
6	25221HN9100	25221HN9100	25221HN9100	FORK, gear shift No.2	1		5
7	25380HN9104	25380HN9104	25380HN9104	PLATE COMP, gear shift cam	1		5
8	04221-04089	04221-04089	04221-04089	PIN, gear shift cam plate	2		10
9	25321HN9100	25321HN9100	25321HN9100	BOLT, gear shift cam plate	1		5
10	24741HN9100	24741HN9100	24741HN9100	RETAINER, gear shift cam bearing R	2		10
11	09262H25002	09262H25002	09262H25002	BEARING, gear shift cam R	2		5
12	09261-04002	09261-04002	09261-04002	PIN, gear shift cam plate	6		10
13	02122-06128	02122-06128	02122-06128	SCREW, gear shift cam bearing retainer	2		10
14	09263H25001	09263H25001	09263H25001	BEARING, gear shift cam L	1		5
15	09440-04010	09440-04010	09440-04010	SPRING, gear shift switch contact	1		5
16	09209-05011	09209-05011	09209-05011	CONTACT, gear shift switch	1		5
17	09440H17001	09440H17001	09440H17001	SPRING, gear shift cam drive plate	1		5
18	09181H14001	09181H14001	09181H14001	SHIM, gear shift shaft thrust	2		10
19	09280-26003	09280-26003	09280-26003	O-RING, gear shift switch	1		5
20	37720HR8600	37720HR8600	37720HR8600	SWITCH ASS'Y, gear shift	1		5
21	02112-95208	02112-95208	02112-95208	SCREW, gear shift switch	2		10
22	09140-06011	09140-06011	09140-06011	NUT, gear shift link rod L (M6)	2		10
23	09448H17002	09448H17002	09448H17002	SPRING, gear shift cam stopper	1		5
24	09111-06019	09111-06019	09111-06019	BOLT, gear shift cam stopper	1		5
25	25350HN9100	25350HN9100	25350HN9100	STOPPER COMP, gear shift cam	1		5
26	08211-06121	08211-06121	08211-06121	WASHER, gear shift shaft thrust	1		5
27	25521HN9100	25521HN9100	25521HN9100	PLATE, gear shift cam drive	1		5
28	25510HN9101	25510HN9101	25510HN9101	SHAFT COMP, gear shift	1		5
29	09444H20011	09444H20011	09444H20011	SPRING, gear shift shaft return	1		5
30	25525HP9200	25525HP9200	25525HP9200	ROD, gear shift link(L=240)	1		5
*	25525HP9250	25525HP9250	25525HP9250	ROD, gear shift link(L=258)	1		
31	25671-01000	25671-01000	25671-01000	STOPPER, gear shift arm	1		5
32	09160H14003	09160H14003	09160H14003	WASHER, gear shift shaft thrust	1		5
33	08331-31149	08331-31149	08331-31149	CIRCLIP, gear shift shaft	3		15
34	09283H14002	09283H14002	09283H14002	SEAL, gear shift shaft oil	1		5
35	25520-32C00	25520-32C00	25520-32C00	ARM COMP, gear shift link	1		5
36	01107-06208	01107-06208	01107-06208	BOLT, gear shift link arm (M6X10)	1		5
37	08310-11068	08310-11068	08310-11068	NUT, gear shift link rod R (M6)	1		5

FIG 21

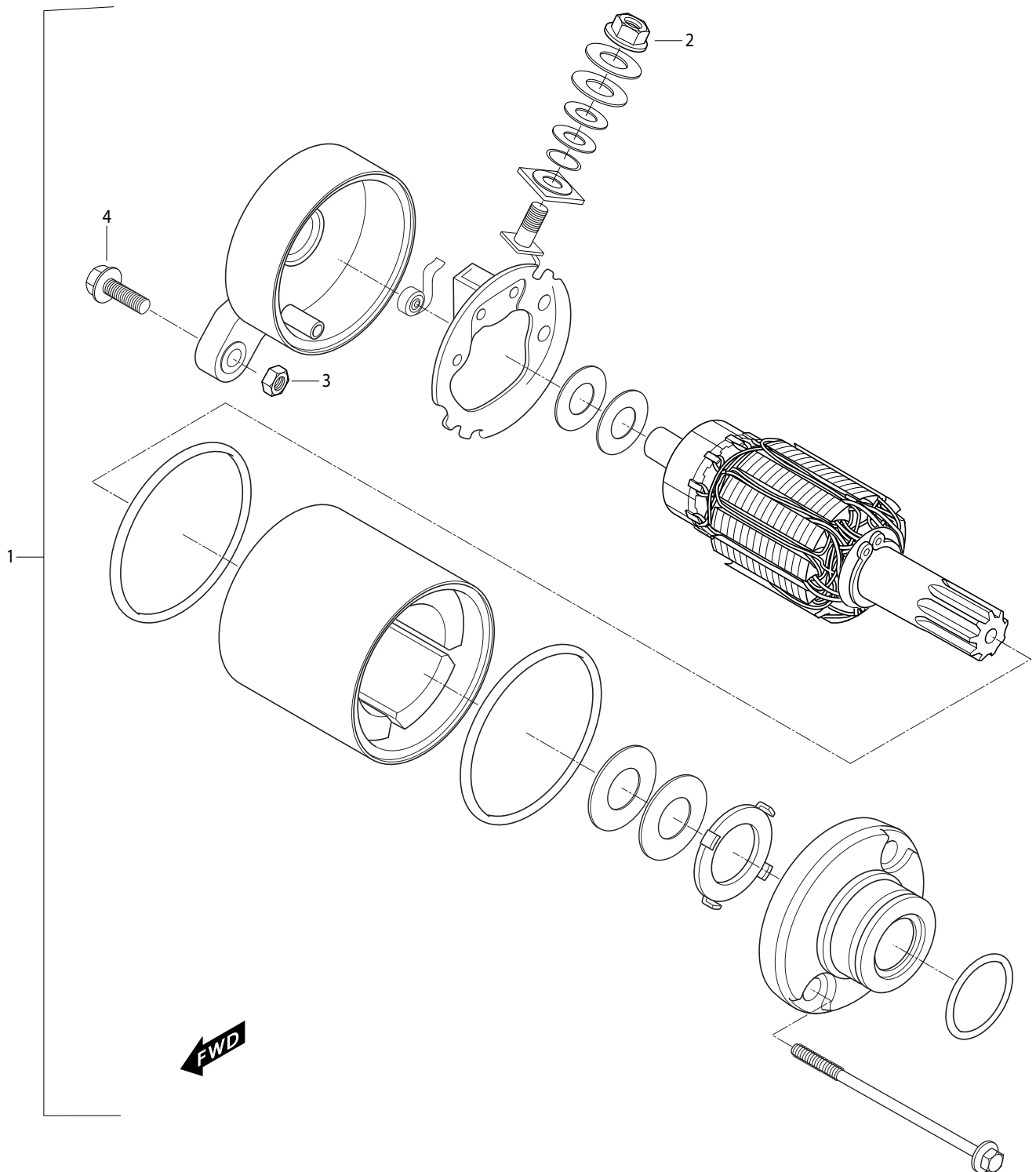


FIG 21. STARTING MOTOR

REF. NO.	2008 7EU01/7G01/7S01/7F01	2009 9EG02/9EN01/9EU01.02 9F01/9G01/9S01	9AT02	PART NAME	Q'TY	REMARKS	REC.Q'TY (PCS)
1	31100HN9100	31100HN9100	31100HN9100	MOTOR ASS`Y, starting	1		5
2	08316-16068	08316-16068	08316-16068	NUT, starter motor terminal	1		10
3	08319-21068	08319-21068	08319-21068	NUT, start motor bracket	2		10
4	01547-06308	01547-06308	01547-06308	BOLT, start motor bracket	2		10

FIG 22

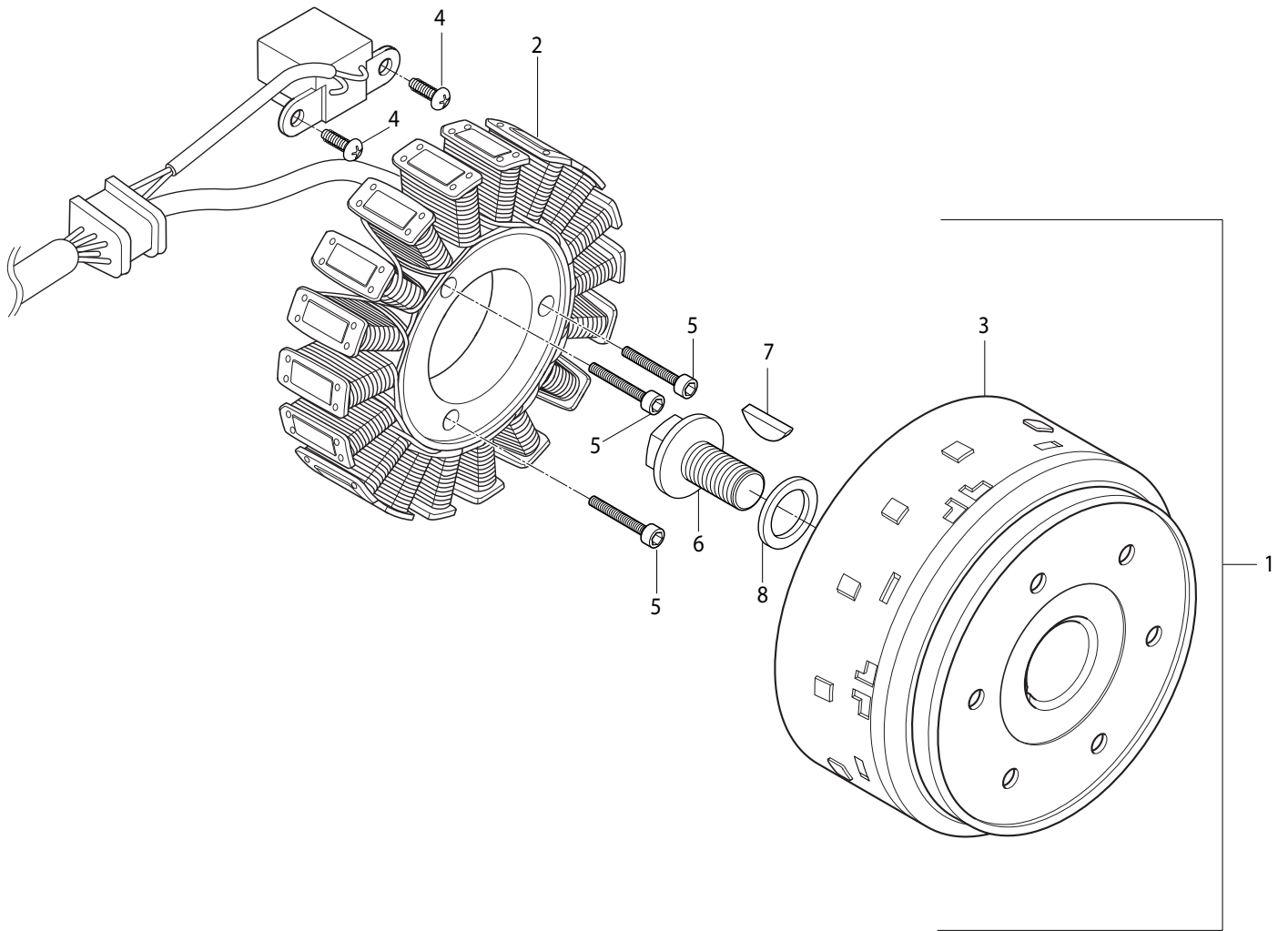


FIG 22. MAGNETO ASSY

REF. NO.	2008 7EU01/7G01/7S01/7F01	2009 9EG02/9EN01/9EU01.02 9F01/9G01/9S01	9AT02	PART NAME	Q'TY	REMARKS	REC.Q'TY (PCS)
1	32100HP9330	32100HP9330	32100HP9330	MAGNETO ASS'Y	1		5
2	32101HP9300	32101HP9300	32101HP9300	STATOR ASS'Y	1		5
3	32102HP9330	32102HP9330	32102HP9330	ROTOR, fly wheel	1		5
4	02142-05128	02142-05128	02142-05128	SCREW, pick-up coil(M5X12)	2		10
5	07110-06308	07110-06308	07110-06308	SCREW, magneto stator(M5X30)	3		10
6	09103H12001	09103H12001	09103H12001	BOLT, magneto	1		5
7	09420H04001	09420H04001	09420H04001	KEY, magneto	1		5
8	09160H12003	09160H12003	09160H12003	WASHER, magneto	1		5

FIG 23

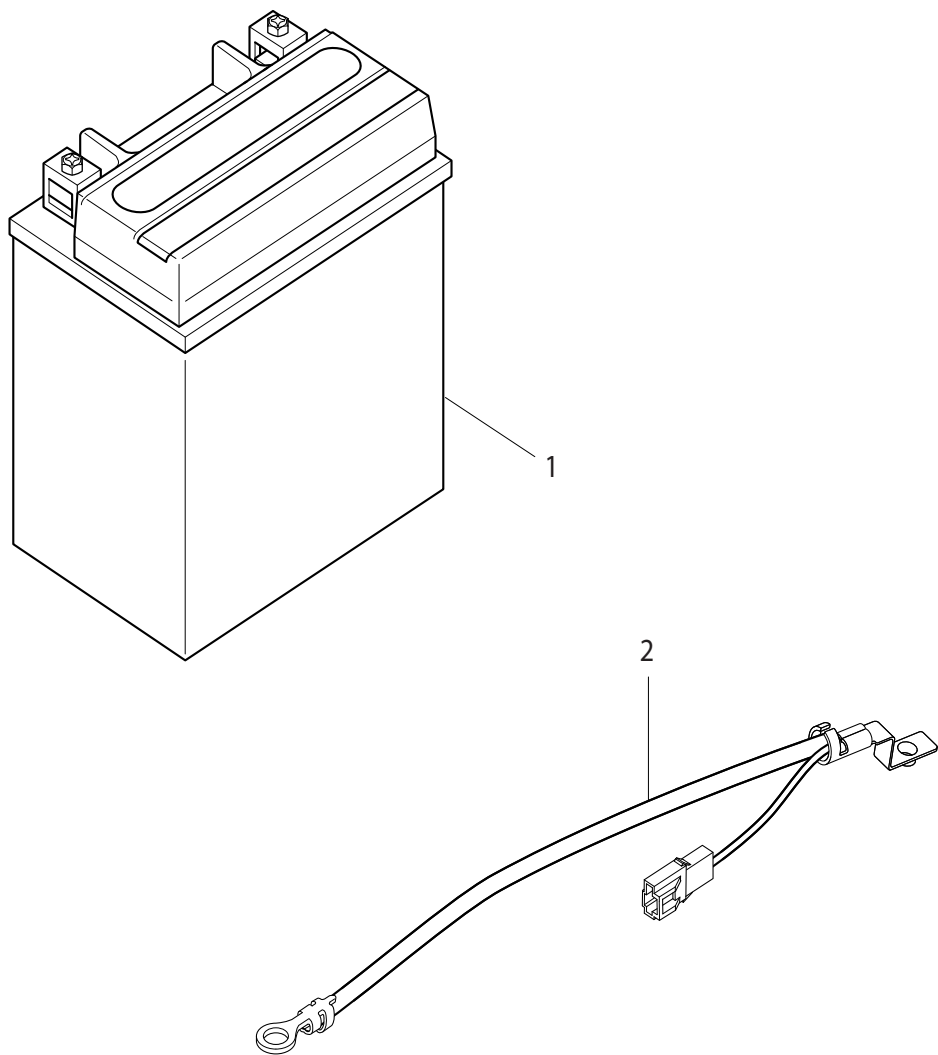


FIG 23. BATTERY

REF.	2008	2009		PART NAME	Q'TY	REMARKS	REC.Q'TY
NO.	7EU01/7G01/7S01/7F01	9EG02/9EN01/9EU01.02 9F01/9G01/9S01	9AT02				(PCS)
1	33610HM8100	33610HM8100	33610HM8100	BATTERY ASS'Y(12V 12Ah. STX14-BS)	1		5
2	33860HN9100	33860HN9100	33860HN9100	LEAD WIRE, battery minus(-)	1		5

FIG 24

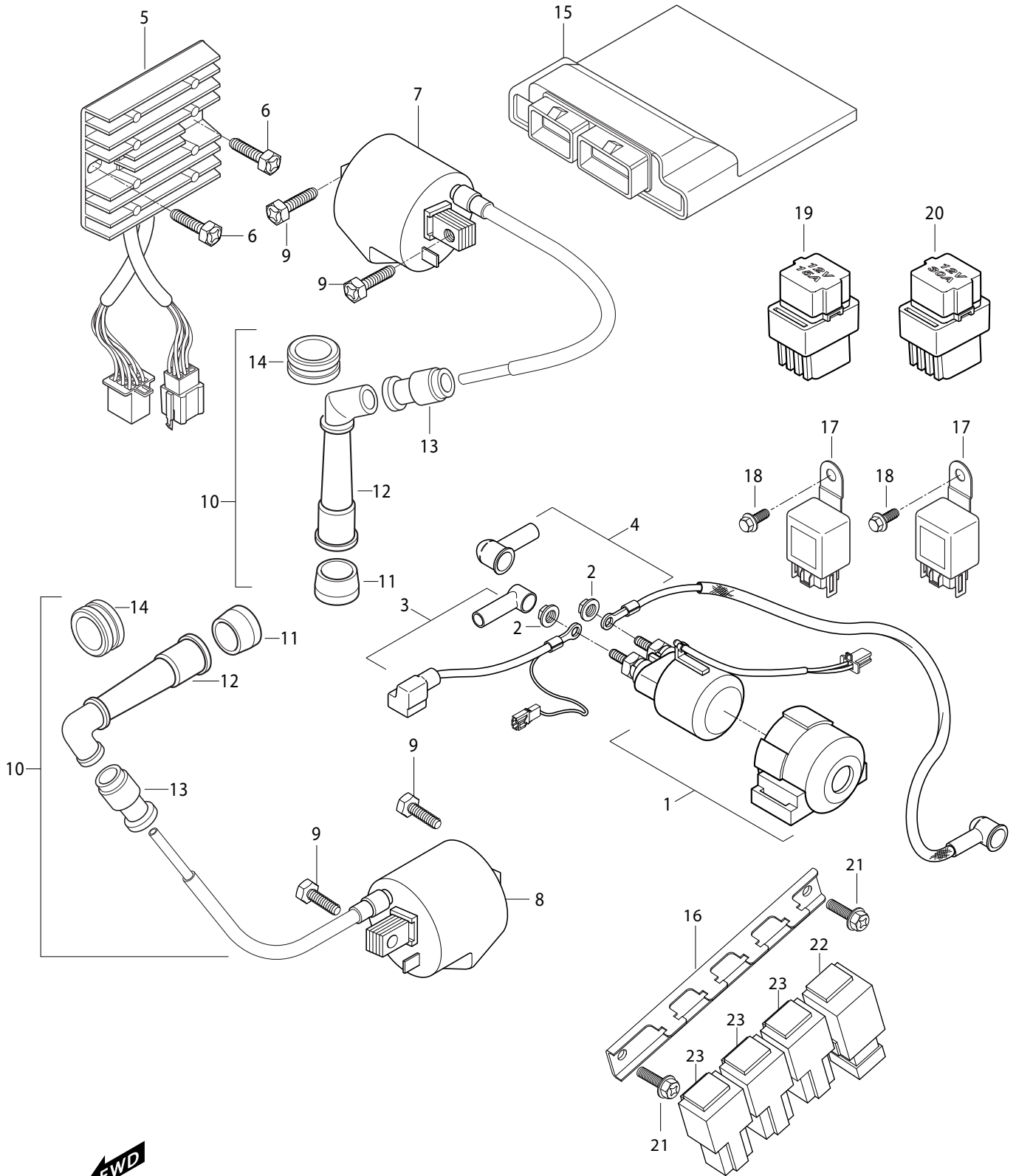


FIG 24. ELECTRICAL

REF. NO.	2008 7EU01/7G01/7S01/7F01	2009 9EG02/9EN01/9EU01.02 9F01/9G01/9S01	2009 9AT02	PART NAME	Q'TY	REMARKS	REC.Q'TY (PCS)
1	31800HG5100	31800HG5100	31800HG5100	RELAY ASS'Y, starting motor	1		5
2	08316-26066	08316-26066	08316-26066	NUT, starter motor relay terminal	2		40
3	33840HM8101	33840HM8101	33840HM8101	LEAD WIRE, battery plus	1		5
4	33850HG5800	33850H99700	33850H99700	LEAD WIRE, starter motor	1		5
5	32800HP9300	32800HN9110	32800HN9110	RECTIFIER regulator ass'y	1		5
6	01517-06166	01517-06166	01517-06166	BOLT, rectifier	2		10
7	33410HP9300	33410HP9300	33410HP9300	COIL ASS'Y, ignition front	1		5
8	33430HP9300	33430HP9300	33430HP9300	COIL ASS'Y, ignition rear	1		5
9	09128-06035	09128-06035	09128-06035	BOLT, ignition coil	4		30
10	33500HN9100	33500HN9100	33500HN9100	CAP ASS'Y spark plug	2		10
11	33541-23E01	33541-23E01	33541-23E01	SEAL, spark plug	2		5
12	33510-05C01	33510-05C01	33510-05C01	CAP, spark plug	2		5
13	33542-98000	33542-98000	33542-98000	SEAL, high tension cord	2		5
14	33545HN9100	33545HN9100	33545HN9100	BUSH, spark plug cap	2		
15	32900HP9300	32900H89300	32900H89300	ENGINE CONTROL UNIT	1		5
16	38742HP7600	38742HP7600	38742HP7600	BRACKET, relay	1		
17	38740HM5401	38740HM5401	38740HM5401	RELAY ASS'Y.	2		15
18	01517-06166	01517-06166	01517-06166	BOLT, relay	2		10
19	36740-35C00	36740-35C00	36740-35C00	BOX ASS'Y, fuse (15A)	1		
20	36740HN9100	36740HN9100	36740HN9100	BOX ASS'Y, fuse (30A)	1		
21	01517-06166	01517-06166	01517-06166	BOLT, relay bracket	2		5
22	38610HR9700	38610HR9700	38610HR9700	RELAY ASS'Y, turnsignal	1		10
23	38740HP7600	38740HP7600	38740HP7600	RELAY ASS'Y, 12V 30A	3		

FIG.25-1 (GT-650FI)

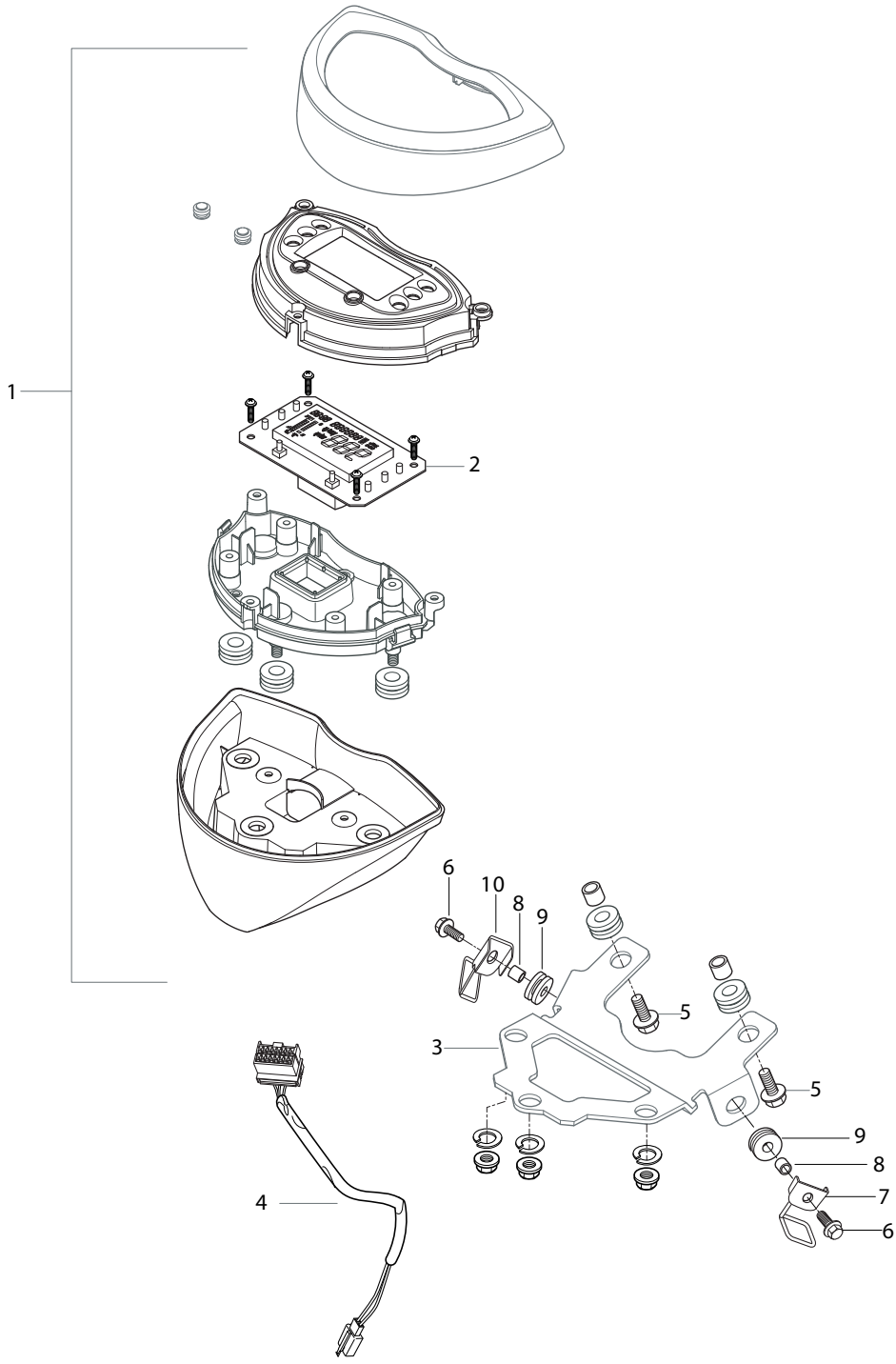


FIG 25. SPEEDOMETER ASSY(2008)

REF.	2008	2009	PART NAME	Q'TY	REMARKS	REC.Q'TY
NO.	7EU01/7G01/7S01/7F01	9EG02/9EN01/9EU01.02 9F01/9G01/9S01	9AT02			(PCS)
1	34100HP9300		SPEEDOMETER ASS'Y (VFD TYPE)	1	- F/NO:500258	5
	34100HP9370		SPEEDOMETER ASS'Y (LCD TYPE)			5
2	34111HP9300		PLB + DISPLY ASS'Y, speedometer	1		
3	34950H78300		BRACKET, speedometer	1		
4	34170HP9300		WIRING ASS'Y, speedometer	1		
5	09116-06010		BOLT, speedometer bracket	2		
6	01517-06208		BOLT, speedometer & brace	2		
7	59420HN9101		GUIDE COMP, cable & s/w lead wire L	1		
8	09180-06011		SPACER, speedometer bkt cushion	2		
9	94433H07C00		CUSHION, speedometer bracket	2		10
10	59410HN9101		GUIDE COMP, cable & s/w lead wire R	1		

FIG.25-2 (GT-650N)

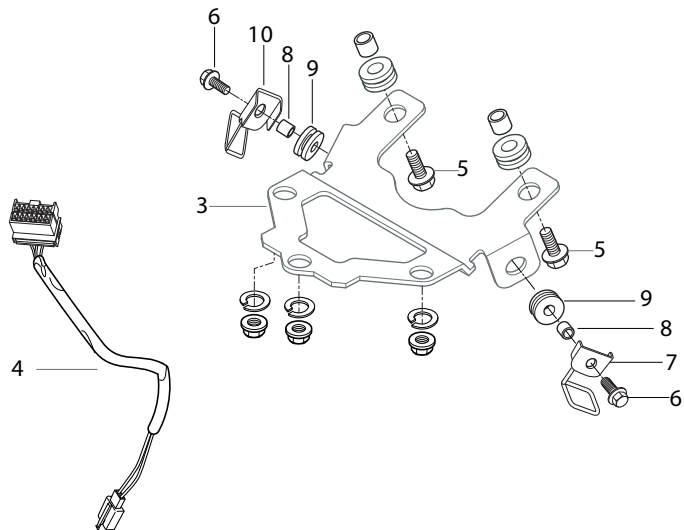
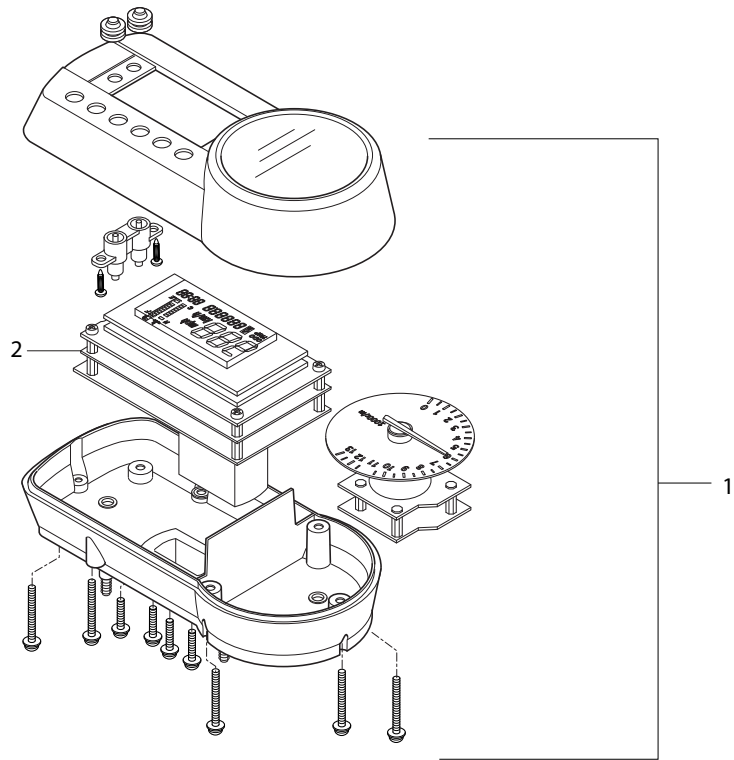


FIG 25. SPEEDOMETER ASSY(2009)

REF. NO.	2008 7EU01/7G01/7S01/7F01	2009 9EG02/9EN01/9EU01.02 9F01/9G01/9S01	9AT02	PART NAME	Q`TY	REMARKS	REC.Q`TY (PCS)
1		34100HP9370	34100HP9370	SPEEDOMETER ASS`Y (LCD TYPE)			5
2		34600HP9370	34600HP9370	PLB + DISPLY ASS`Y, speedometer	1		
3		34950H78300	34950H78300	BRACKET, speedometer	1		
4		34170HP9300	34170HP9300	WIRING ASS`Y, speedometer	1		
5		09116-06010	09116-06010	BOLT, speedometer bracket	2		
6		01517-06208	01517-06208	BOLT, speedometer & brace	2		
7		59420HN9101	59420HN9101	GUIDE COMP, cable & s/w lead wire L	1		
8		09180-06011	09180-06011	SPACER, speedometer bkt cushion	2		
9		94433H07C00	94433H07C00	CUSHION, speedometer bracket	2		10
10		59410HN9101	59410HN9101	GUIDE COMP, cable & s/w lead wire R	1		

FIG.26(GT650)

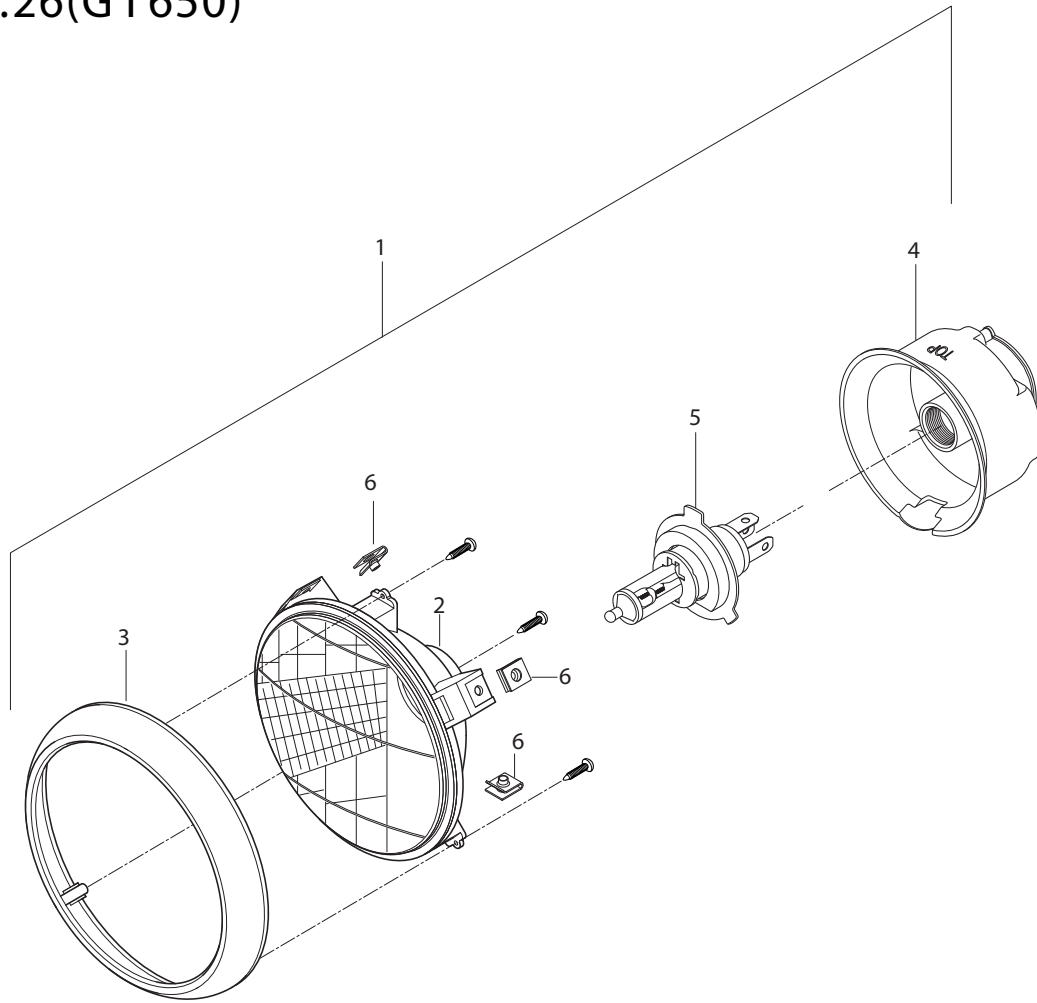


FIG.27

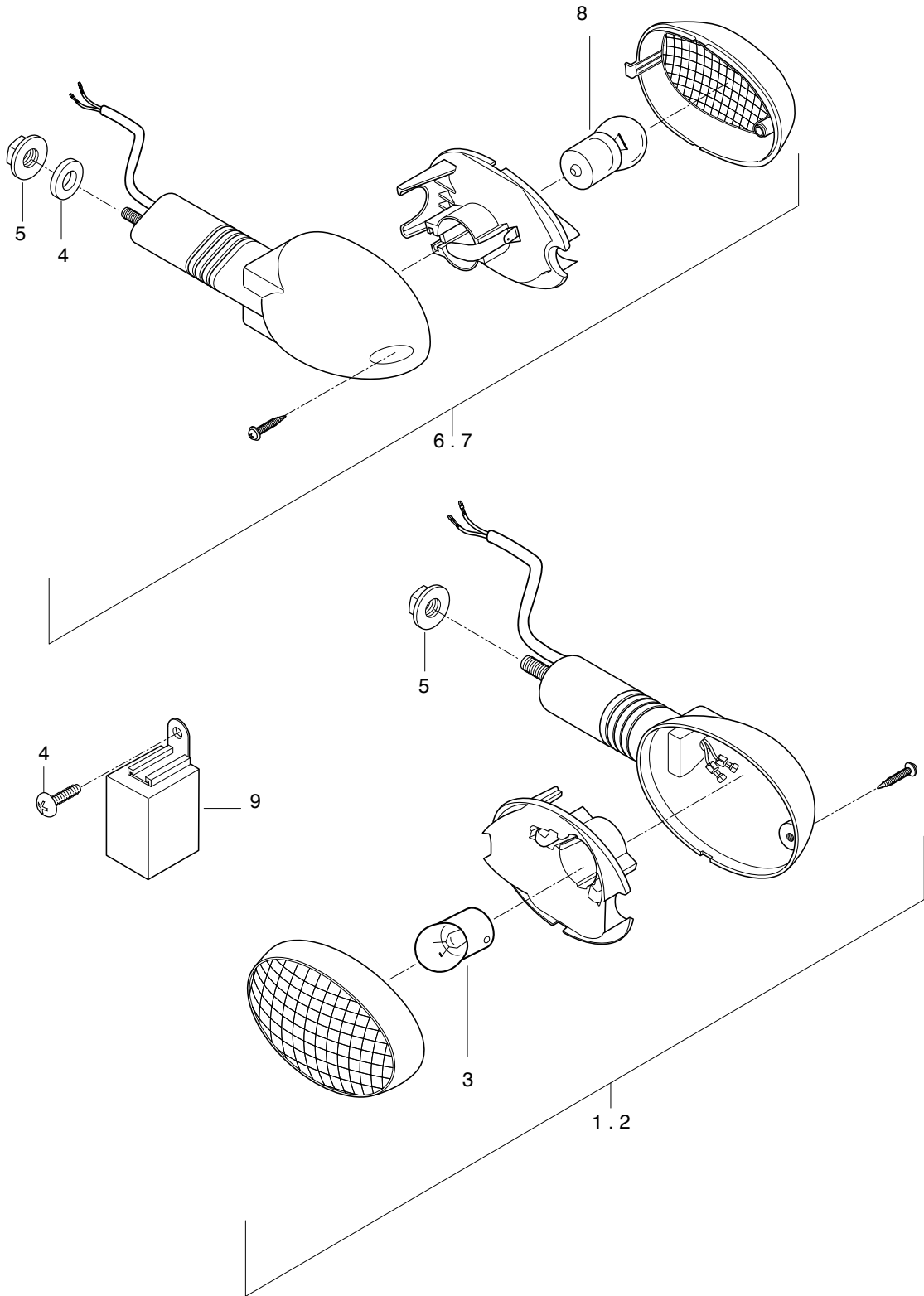
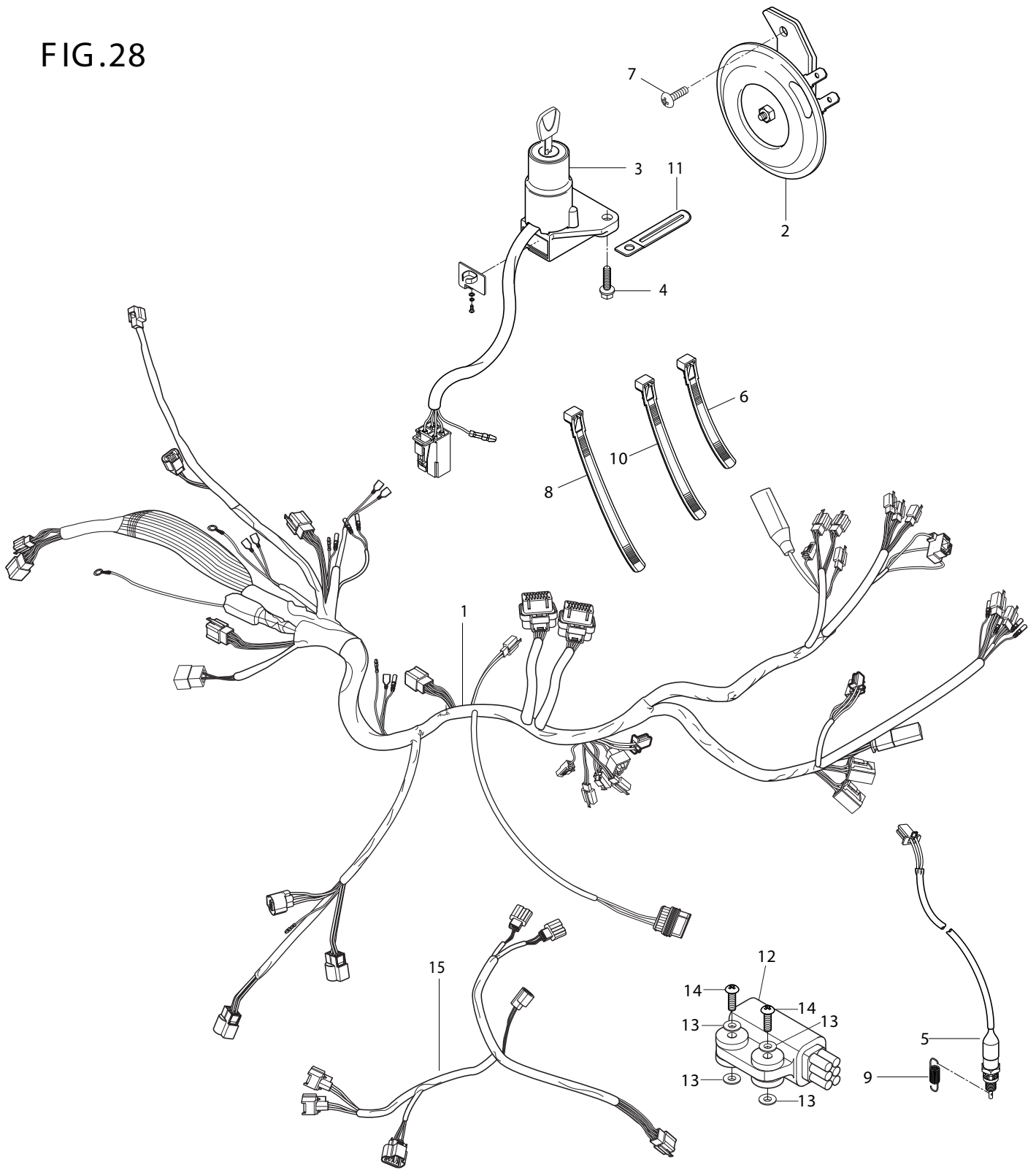


FIG 27. FRONT TURN SIGNAL LAMP

REF. NO.	2008 7EU01/7G01/7S01/7F01	2009 9EG02/9EN01/9EU01.02 9F01/9G01/9S01	9AT02	PART NAME	Q'TY	REMARKS	REC.Q'TY (PCS)
1	35601HR7900	35601HR7900	35601HR7900	LAMP ASS'Y, FT turnsignal R	1		5
2	35602HR7900	35602HR7900	35602HR7900	LAMP ASS'Y, FT turnsignal L	1		5
3	09471H12112	09471H12112	09471H12112	BULB, FT turnsignal lamp(12V,10W)	2		10
4	09160-06019	09160-06019	09160-06019	BOLT, turnsignal relat	1		10
5	08316-26066	08316-26066	08316-26066	NUT, FT turnsignal lamp	4		10
6	35603HR8600	35603H99700	35603H99700	LAMP ASS'Y, RR turnsignal R	1		5
7	35604HR8600	35604H99700	35604H99700	LAMP ASS'Y, RR turnsignal L	1		5
8	09471H12113	09471H12113	09471H12113	BULB, RR turnsignal lamp(12V, 10W)	2		10
9	38610HL7300	38610HL7300	38610HL7300	RELAY ASS'Y, turn signal	1		5

FIG.28



FWD

FIG 28. WIRING HARNESS

REF. NO.	2008 7EU01/7G01/7S01/7F01	2009 9EG02/9EN01/9EU01.02 9F01/9G01/9S01	9AT02	PART NAME	Q'TY	REMARKS	REC.Q'TY (PCS)
1	36610HP9352	36610H99300	36610H99300	HARNESS, wiring	1		5
2	38500HM8101	38500HM8101	38500HM8101	HORN ASS'Y	1		5
3	37100HP9200	37100HP9200	37100HP9200	LOCK ASSY, steering	1		5
4	01517-06308	01517-06308	01517-06308	BOLT, steering lock	2		10
5	37740HN9100	37740HN9100	37740HN9100	SWITCH ASS'Y, rear stop	1		5
6	09407-14403	09407-14403	09407-14403	CLAMP, wiring harness	7		5
7	09106H06150	09106H06150	09106H06150	SCREW, horn	1		5
8	09407-22402	09407-22402	09407-22402	CLAMP, wiring harness	1		10
9	09443-06012	09443-06012	09443-06012	SPRING	1		10
10	09407-254A1	09407-254A1	09407-254A1	CLAMP, wiring harness	1		5
11	09404-06404	09404-06404	09404-06404	CLAMP, steering leadwire	1		5
12	37890HP9300	37890HP8810	37890HP8810	SENSOR, tip over	1		5
13	09160H04005	09160H04005	09160H04005	WASHER, tip over sensor	4		20
14	09125H04025	09125H04025	09125H04025	SCREW, tip over sensor	2		10
15	17660HR9700	17660H89700	17660H99710	LEADWIRE, sensor part	1		10

FIG 29(2008)

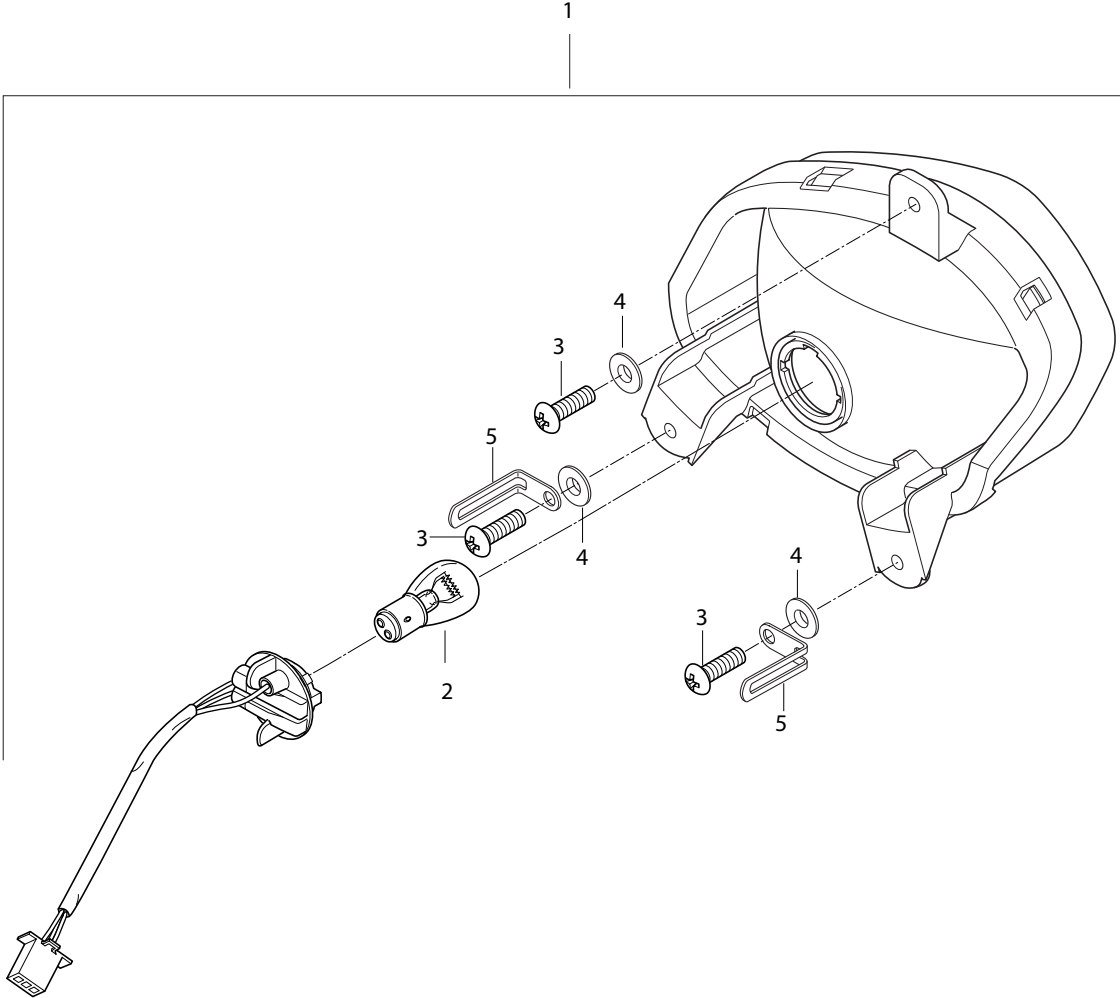


FIG 29. REAR COMBINATION (2008)

REF.	2008	2009	PART NAME	Q`TY	REMARKS	REC.Q`TY
NO.	7EU01/7G01/7S01/7F01	9EG02/9EN01/9EU01.02 9F01/9G01/9S01	9AT02			(PCS)
1	35710HM8152		LAMP ASS`Y, tail & stop	1		5
2	09471-12046		BULB, tail & stop(12V P21/5W)	1		10
3	03241-05166		SCREW, tail & stop	3		15
4	09160-05017		WASHER, tail & stop	3		15
5	09404-06401		CLAMP, tail & stop	2		10

FIG 29 (2009)

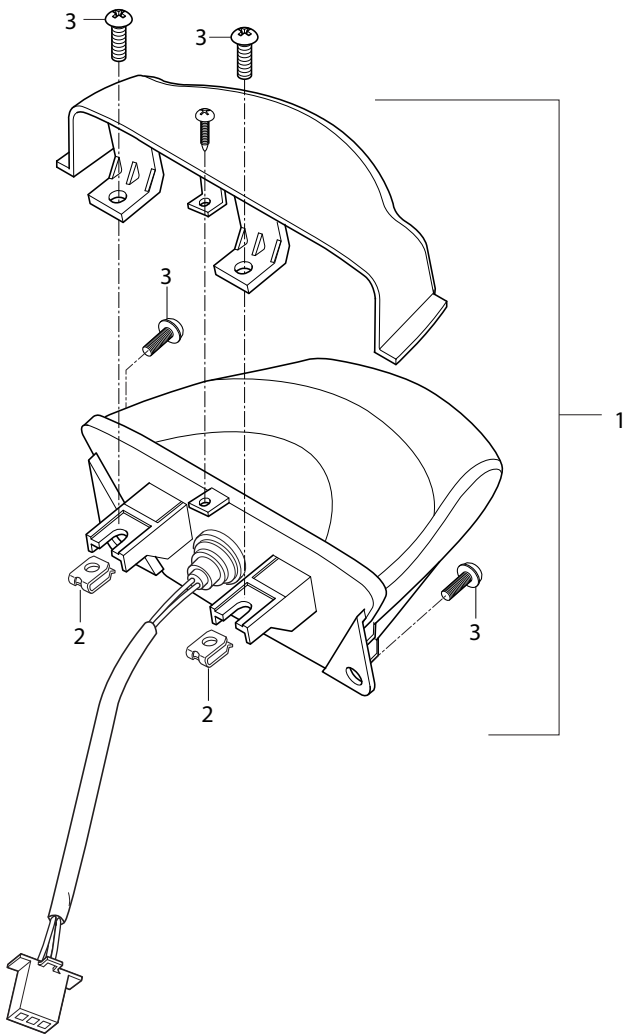


FIG 30 (2008)

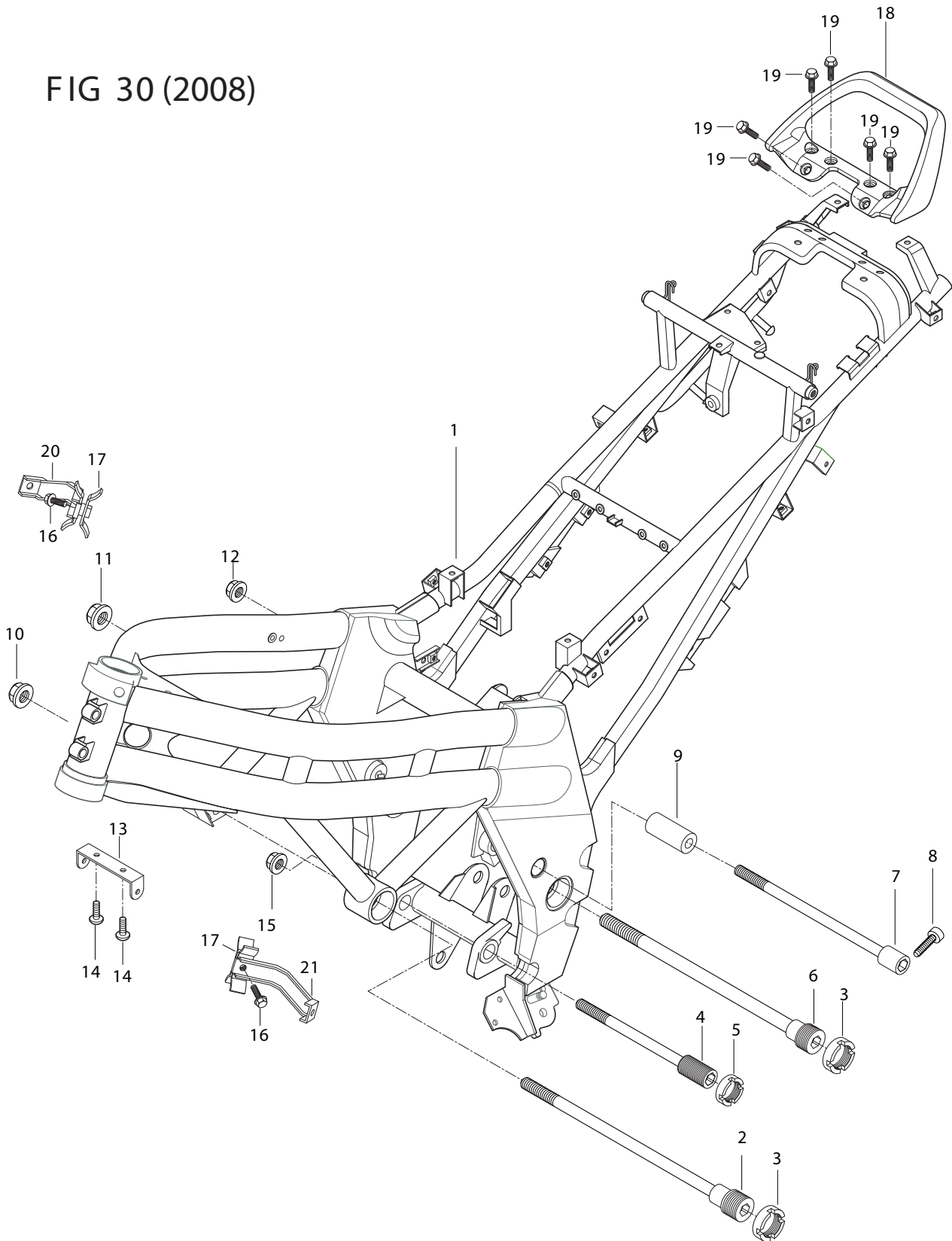


FIG 30. FRAME (2008)

REF.	2008	2009	PART NAME	Q'TY	REMARKS	REC.Q'TY
NO.	7EU01/7G01/7S01/7F01	9EG02/9EN01/9EU01.02 9F01/9G01/9S01	9AT02			(PCS)
1	41100HP9300PAM		FRAME COMP(GT650R)	1		3
2	41165HN9101		SHAFT, engine mounting link	1		5
3	09141H26001		LOCK NUT, engine mounting link & shaft	1		10
4	41191HN9101		SHAFT, engine mounting RR lower	2		5
5	09141H20001		LOCK NUT, engine mounting RR lower	1		5
6	61211HN9101		SHAFT, RR swinginggarm pivot	1		5
7	41181HN9101		SHAFT, engine mounting RR upper	1		5
8	07110-08258		BOLT, frame & engine mounting adjuster	1		55
9	41185HN9100		SPACER, frame & engine mounting adjuster	1		5
10	08319-31128		NUT, engine mounting link shaft	1		10
11	08319-31108		NUT, frame & engine RR upper	1		20
12	09148H14008		NUT, RR swingingarm pivot	1		10
13	41772HN9101		BRKT, radiator upper	1		5
14	02142-06126		SCREW, radiator upper brkt	1		15
15	08319-31108		NUT, frame & engine RR lower	2		20
16	01137-06206		BOLT, frame & body side cowling R/L	1		5
17	94417HP9200		PLATE COMP, frame & body side cowling R/L	1		5
18	47510HP9200		RIDER, pillion	1		10
19	09106H08230		BOLT, pillion rider	2		10
20	94478HP9202		BRACKET COMP, frame & body side cowling R	1		5
21	94479HP9202		BRACKET COMP, frame & body side cowling L	1		5

FIG 30(2009)

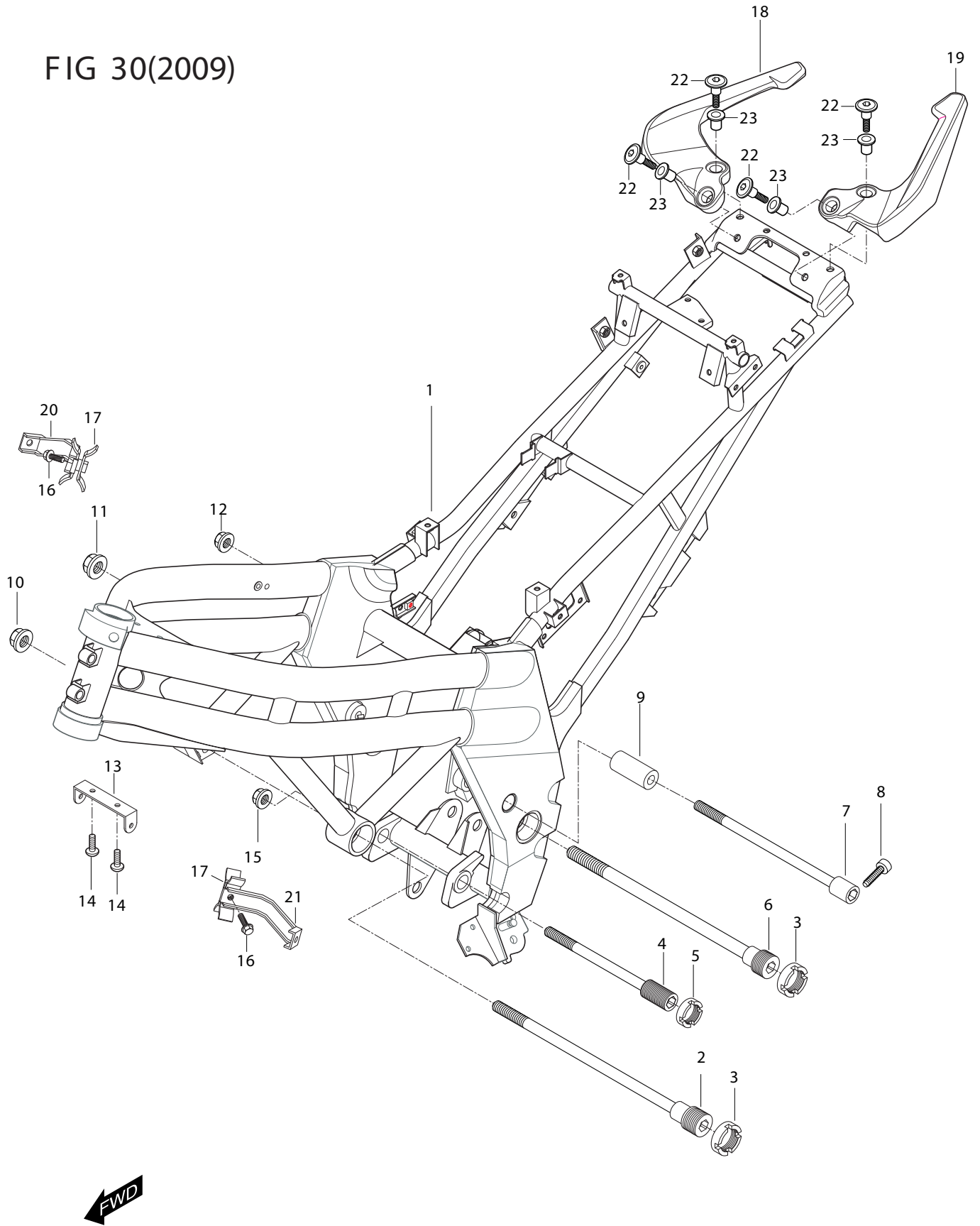
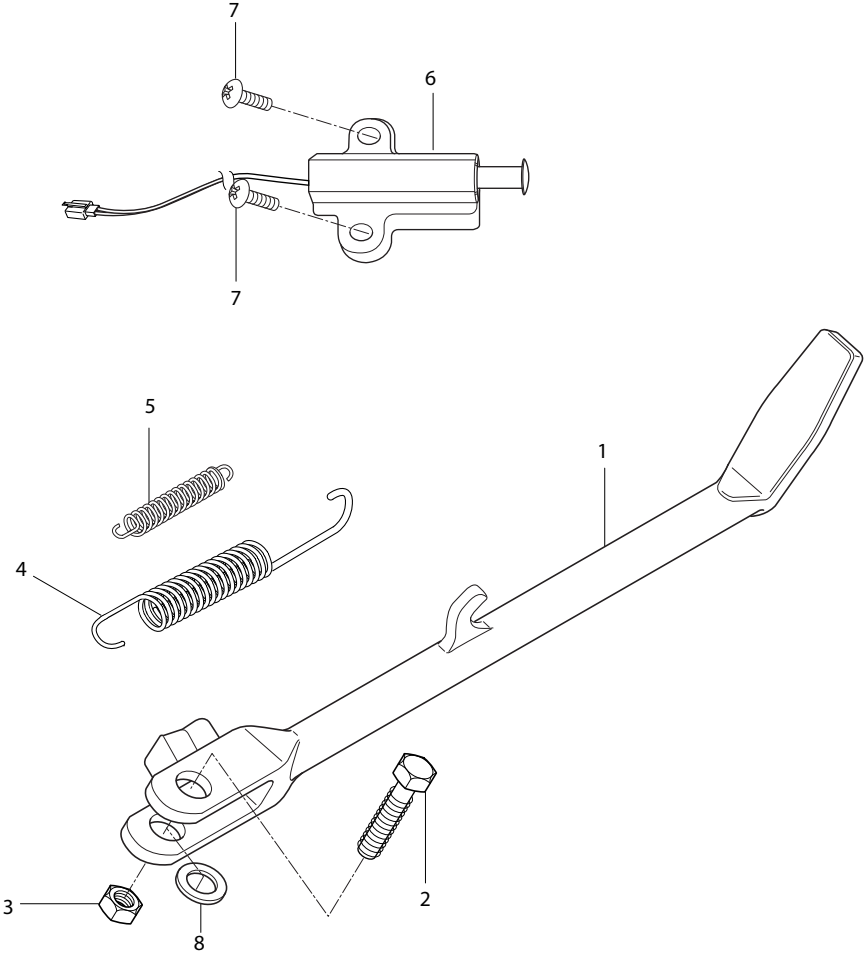


FIG 30. FRAME (2009)

REF. NO.	2008 7EU01/7G01/7S01/7F01	2009 9EG02/9EN01/9EU01.02 9F01/9G01/9S01	2009 9AT02	PART NAME	Q'TY	REMARKS	REC.Q'TY (PCS)
1		41100H99700PAM	41100H99700PAM	FRAME COMP(GT650N)	1		3
2		41165HN9101	41165HN9101	SHAFT, engine mounting link	1		5
3		09141H26001	09141H26001	LOCK NUT, engine mounting link & shaft	1		10
4		41191HN9101	41191HN9101	SHAFT, engine mounting RR lower	2		5
5		09141H20001	09141H20001	LOCK NUT, engine mounting RR lower	1		5
6		61211HN9101	61211HN9101	SHAFT, RR swingingarm pivot	1		5
7		41181HN9101	41181HN9101	SHAFT, engine mounting RR upper	1		5
8		07110-08258	07110-08258	BOLT, frame & engine mounting adjuster	1		55
9		41185HN9100	41185HN9100	SPACER, frame & engine mounting adjuster	1		5
10		08319-31128	08319-31128	NUT, engine mounting link shaft	1		10
11		08319-31108	08319-31108	NUT, frame & engine RR upper	1		20
12		09148H14008	09148H14008	NUT, RR swingingarm pivot	1		10
13		41772HN9101	41772HN9101	BRKT, radiator upper	1		5
14		02142-06126	02142-06126	SCREW, radiator upper brkt	1		15
15		08319-31108	08319-31108	NUT, frame & engine RR lower	2		20
16		01137-06206	01137-06206	BOLT, frame & body side cowling R/L	1		5
17		94417HP9200	94417HP9200	PLATE COMP, frame & body side cowling R/L	2		5
18		47511H99701	47511H99701	GRIP, pillion rider R	2		10
19		47521H99701	47521H99701	GRIP, pillion rider L	1		10
20		94478HP9203	94478HP9203	BRACKET COMP, frame & body side cowling R	1		5
21		94479HP9203	94479HP9203	BRACKET COMP, frame & body side cowling L	1		5
22		09106H08308	09106H08308	BOLT, pillion rider	1		
23		09169H10003	09169H10003	SPACER, pillion grip	4		
					4		

FIG 31



FWD

FIG 31. PROP STAND

REF. NO.	2008 7EU01/7G01/7S01/7F01	2009 9EG02/9EN01/9EU01.02 9F01/9G01/9S01	9AT02	PART NAME	Q`TY	REMARKS	REC.Q`TY (PCS)
1	42310HN9150120	42310HN9150120	42310HN9150120	STAND COMP, prop	1		5
2	09100-10031	09100-10031	09100-10031	BOLT, prop stand	1		5
3	08310-22106	08310-22106	08310-22106	NUT, prop stand	1		5
4	09443-15047	09443-15047	09443-15047	SPRING, prop stand outter	1		5
5	09443-06001	09443-06001	09443-06001	SPRING, prop stand inner	1		5
6	37840HN9102	37840HN9102	37840HN9102	SWITCH ASS'Y, side stand	1		5
7	01517-06205	01517-06205	01517-06205	BOLT, side stand switch(M6X20)	2		5
8	08221-12225	08221-12225	08221-12225	SHIM, prop stand	1		10

FIG 32(2008)

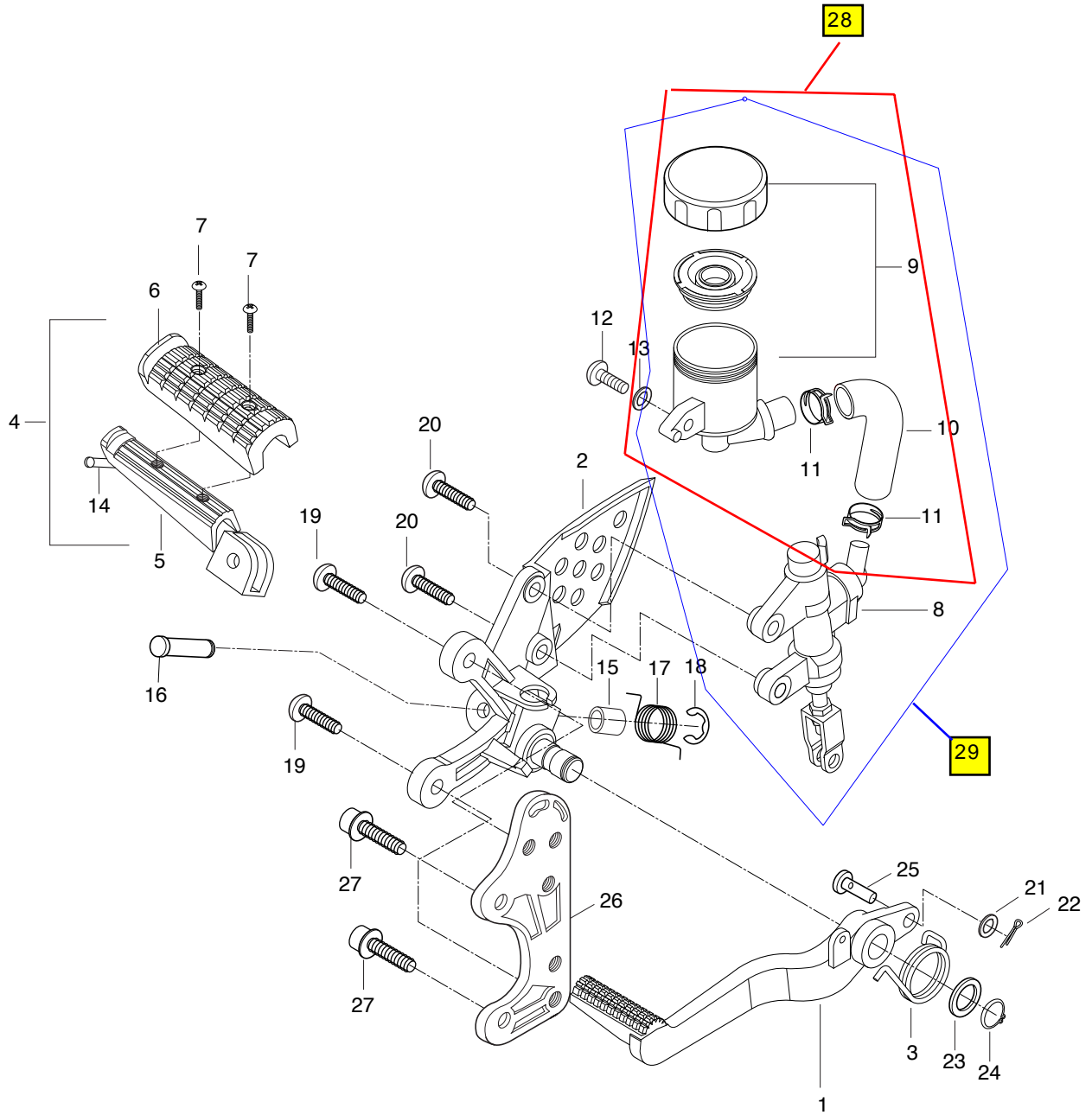


FIG 32. REAR BRAKE(2008)

REF.	2008	2009	PART NAME	Q'TY	REMARKS	REC.Q'TY
NO.	7EU01/7G01/7S01/7F01	9EG02/9EN01/9EU01.02 9F01/9G01/9S01	9AT02			(PCS)
1	43110HM810003P		PEDAL COMP, brake	1		5
2	43530HM810603P		BRACKET COMP, front footrest R	1		5
3	09448H30002		SPRING, brake pedal return	1		5
4	43560HM8100		FOOTREST ASS'Y, front R	1		5
5	43561HM8100		FOOTREST, bar front R	1		5
6	43530H30A40		RUBBER COMP, front footrest R	1		5
7	02112-05126		SCREW, front footrest	2		10
8	69600HM8101		CYLINDER ASS'Y rear master	1		5
9	69740HN9100		TANK ASS'Y reser vior	1		5
10	69700HM8101		HOSE ASS'Y reser vior	1		5
11	09400H13001		CLMAP, reserver tank hose	2		5
12	01517-06168		BOLT, reser vior tank	1		5
13	09160-06019		WASHER, reser vior tank	1		5
14	43533H30A40		BOLT, front footrest bar	1		5
15	09180H08008		SPACER, front footrest	1		10
16	43579HM8101		PIN, front footrest	1		10
17	09448H14007		SPRING, front footrest	1		10
18	08332-11079		E-RING, front footrest	1		10
19	09106H08230		BOLT, front footrest bracket	2		15
20	09106H08230		BOLT, master cylinder	2		40
21	08322-21068		WASHER, rear master cylinder	1		5
22	04111-20208		COTTER PIN, rear master cylinder	1		10
23	09160H15002		WASHER, brake pedal	1		10
24	08331-31159		CIRCLIP, brake pedal	1		10
25	09200H06040		PIN, rear master cylinder	1		5
26	43550HP9200		BRKT, front footrest back step R	2		5
27	07120-08258		BOLT, front footrest back step	2		40
28	69800HN9100		TANK SET reserver	1		5
29	69609HN9100		CYLINDER SET, rear master	1		5

FIG 32(2009)

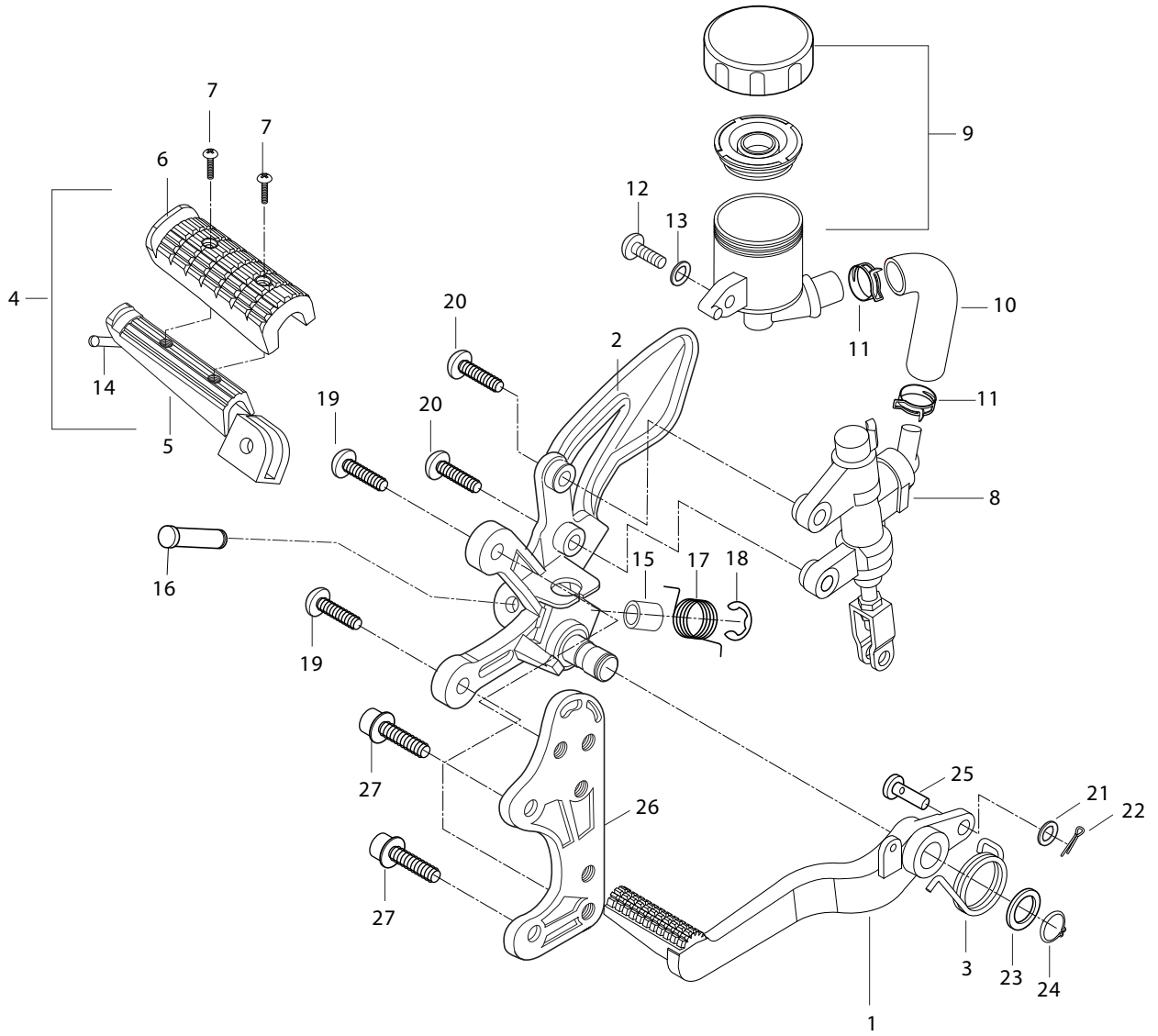
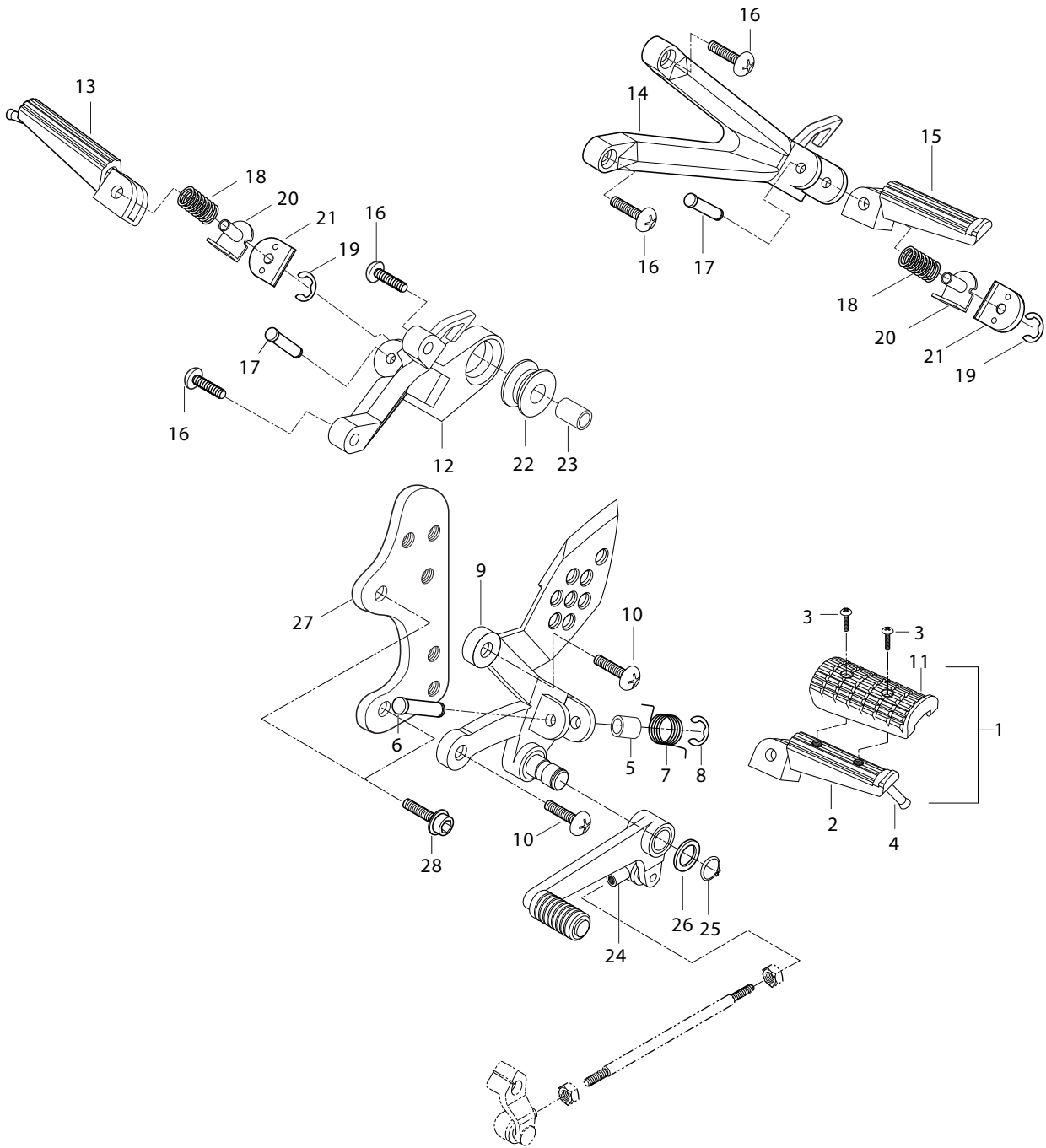


FIG 32. REAR BRAKE(2009)

REF.	2008	2009	PART NAME	Q'TY	REMARKS	REC.Q'TY
NO.	7EU01/7G01/7S01/7F01	9EG02/9EN01/9EU01.02 9F01/9G01/9S01	9AT02			(PCS)
1		43110HM8101	43110HM8101	PEDAL COMP, brake	1	5
2		43530H9970003P	43530H9970003P	BRACKET COMP, front footrest R	1	5
3		09448H30002	09448H30002	SPRING, brake pedal return	1	5
4		43560HM8100	43560HM8100	FOOTREST ASS'Y, front R	1	5
5		43561HM8100	43561HM8100	FOOTREST, bar front R	1	5
6		43530H30A40	43530H30A40	RUBBER COMP, front footrest R	1	5
7		02112-05126	02112-05126	SCREW, front footrest	2	10
8		69600HM8101	69600HM8101	CYLINDER ASS'Y rear master	1	5
9		69740HN9100	69740HN9100	TANK ASS'Y reser vior	1	5
10		69700HM8101	69700HM8101	HOSE ASS'Y reser vior	1	5
11		09400H13001	09400H13001	CLMAP, reserver tank hose	2	5
12		01517-06168	01517-06168	BOLT, reser vior tank	1	5
13		09160-06019	09160-06019	WASHER, reser vior tank	1	5
14		43533H30A40	43533H30A40	BOLT, front footrest bar	1	5
15		09180H08008	09180H08008	SPACER, front footrest	1	10
16		43579HM8101	43579HM8101	PIN, front footrest	1	10
17		09448H14007	09448H14007	SPRING, front footrest	1	10
18		08332-11079	08332-11079	E-RING, front footrest	1	10
19		09106H08230	09106H08230	BOLT, front footrest bracket	2	15
20		09106H08230	09106H08230	BOLT, master cylinder	2	40
21		08322-21068	08322-21068	WASHER, rear master cylinder	1	5
22		04111-20208	04111-20208	COTTER PIN, rear master cylinder	1	10
23		09160H15002	09160H15002	WASHER, brake pedal	1	10
24		08331-31159	08331-31159	CIRCLIP, brake pedal	1	10
25		09200H06040	09200H06040	PIN, rear master cylinder	1	5
26		43550HP9201	43550HP9201	BRKT, front footrest back step R	2	5
27		07120-08258	07120-08258	BOLT, front footrest back step	1	40
						5
						5

FIG 33 (2008)



FWD

FIG 33. FOOTREST(2008)

REF.	2008	2009	PART NAME	Q'TY	REMARKS	REC.Q'TY
NO.	7EU01/7G01/7S01/7F01	9EG02/9EN01/9EU01.02 9F01/9G01/9S01	9AT02			(PCS)
1	43570HM8100		FOOTREST ASSY, front L	1		5
2	43571HM8100		FOOTREST BAR, front L	1		
3	02112-05126		SCREW, front footrest	2		
4	43533H30A40		BOLT, front footrest bar	1		
5	09180H08008		SPACER, front footrest	1		10
6	43579HM8101		PIN, front footrest bar	1		10
7	09448H14007		SPRING, front footrest	1		10
8	08332-11079		E-RING, front footrest	1		10
9	43540HM8103		BRACKET COMP, front footrest L	1		5
10	09106H08230		BOLT, front footrest bracket	2		40
11	43532H30A40		RUBBER, front footrest	1		
12	43621HM8103		BRACKET, pillion footrest R	1		
13	43661HM8101		FOOTREST BAR, pillion R	1		5
14	43721HM810403P		BRACKET, pillion footrest L	1		5
15	43671HM8101		FOOTREST BAR, pillion L	1		5
16	09106H08230		BOLT, pillion footrest bracket	4		5
17	43679HM8101		PIN, pillion footrest	2		40
18	09448H08008		SPRING, pillion footrest	2		10
19	08332-11048		E-RING, pillion footrest	2		10
20	43631HM8101		PLATE, pillion stopper No.1	2		10
21	43641HM8101		PLATE, pillion stopper No.2	2		10
22	09320-14015		CUSHION, muffler support	1		10
23	09180-10044		SPACER, muffler support	1		5
24	25611HM8100		LEVER COMP, gear shift cam	1		5
25	08331-31159		CIRCLIP, gear shift lever	1		
26	09160H15002		WASHER, gear shift leve	1		10
27	43560HP9200		BRKT, front footrest back step L	2		10
28	07120-08258		BOLT, front footrest back step	1		

FIG 33(2009)

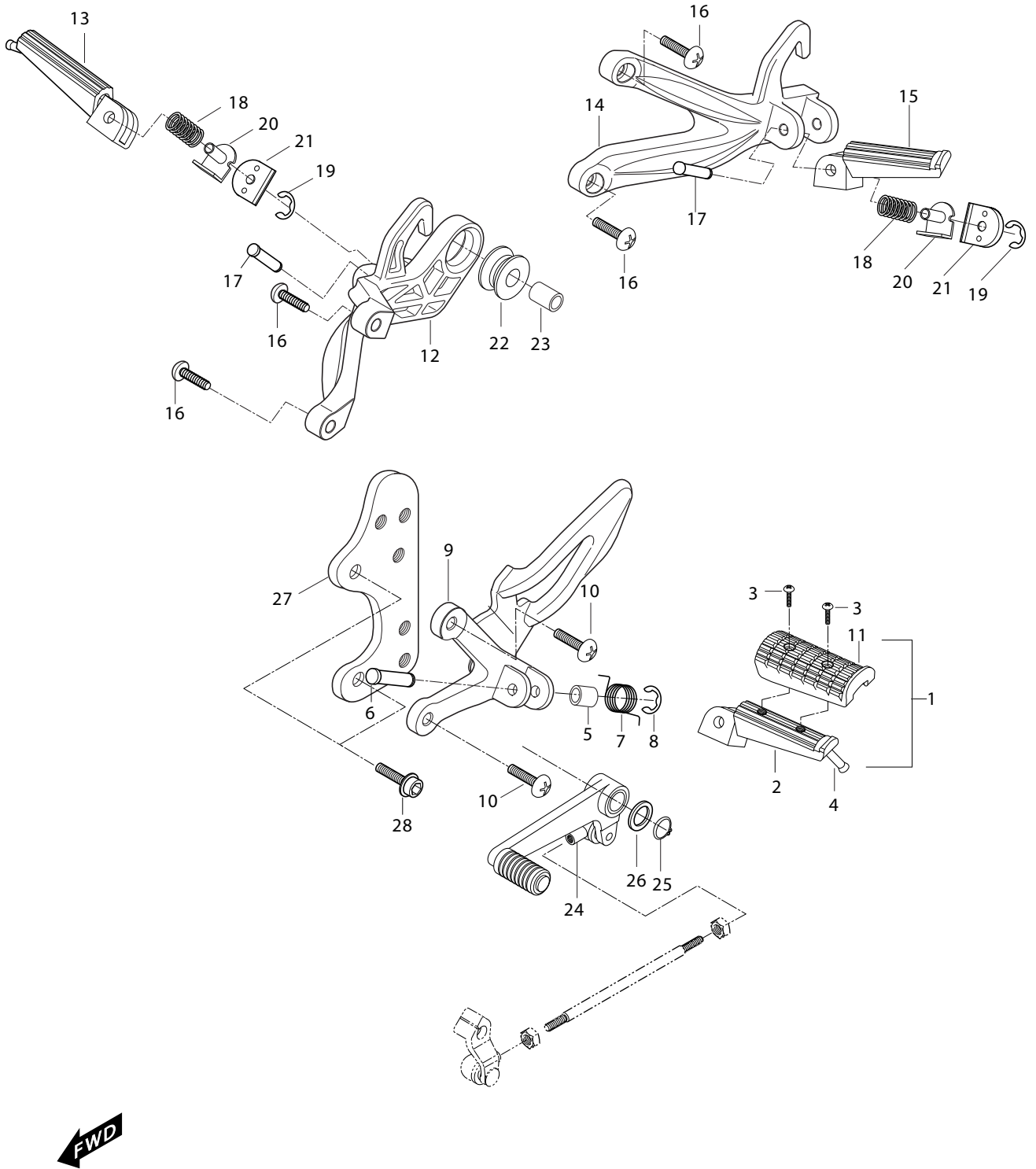


FIG 33. FOOTREST(2009)

REF. NO.	2008	2009		PART NAME	Q'TY	REMARKS	REC.Q'TY (PCS)
	7EU01/7G01/7S01/7F01	9EG02/9EN01/9EU01.02 9F01/9G01/9S01	9AT02				
1		43570HM8100	43570HM8100	FOOTREST ASSY, front L	1		5
2		43571HM8100	43571HM8100	FOOTREST BAR, front L	1		
3		02112-05126	02112-05126	SCREW, front footrest	2		
4		43533H30A40	43533H30A40	BOLT, front footrest bar	1		
5		09180H08008	09180H08008	SPACER, front footrest	1		10
6		43579HM8101	43579HM8101	PIN, front footrest bar	1		10
7		09448H14007	09448H14007	SPRING, front footrest	1		10
8		08332-11079	08332-11079	E-RING, front footrest	1		10
9		43540H9970003P	43540H9970003P	BRACKET COMP, front footrest L	1		5
10		09106H08230	09106H08230	BOLT, front footrest bracket	2		40
11		43532H30A40	43532H30A40	RUBBER, front footrest	1		
12		43621H9970003P	43621H9970003P	BRACKET, pillion footrest R	1		
13		43661HM8101	43661HM8101	FOOTREST BAR, pillion R	1		5
14		43721H9970003P	43721H9970003P	BRACKET, pillion footrest L	1		5
15		43671HM8101	43671HM8101	FOOTREST BAR, pillion L	1		5
16		09106H08230	09106H08230	BOLT, pillion footrest bracket	4		5
17		43679HM8101	43679HM8101	PIN, pillion footrest	2		40
18		09448H08008	09448H08008	SPRING, pillion footrest	2		10
19		08332-11048	08332-11048	E-RING, pillion footrest	2		10
20		43631HM8101	43631HM8101	PLATE, pillion stopper No.1	2		10
21		43641HM8101	43641HM8101	PLATE, pillion stopper No.2	2		10
22		09320-14015	09320-14015	CUSHION, muffler support	1		10
23		09180-10044	09180-10044	SPACER, muffler support	1		5
24		25600HN9101	25600HN9101	LEVER COMP, gear shift cam	1		5
25		08331-31159	08331-31159	CIRCLIP, gear shift lever	1		
26		09160H15002	09160H15002	WASHER, gear shift leve	1		10
27		43560HP9201	43560HP9201	BRKT, front footrest back step L	2		10
28		07120-08258	07120-08258	BOLT, front footrest back step	1		

FIG 34

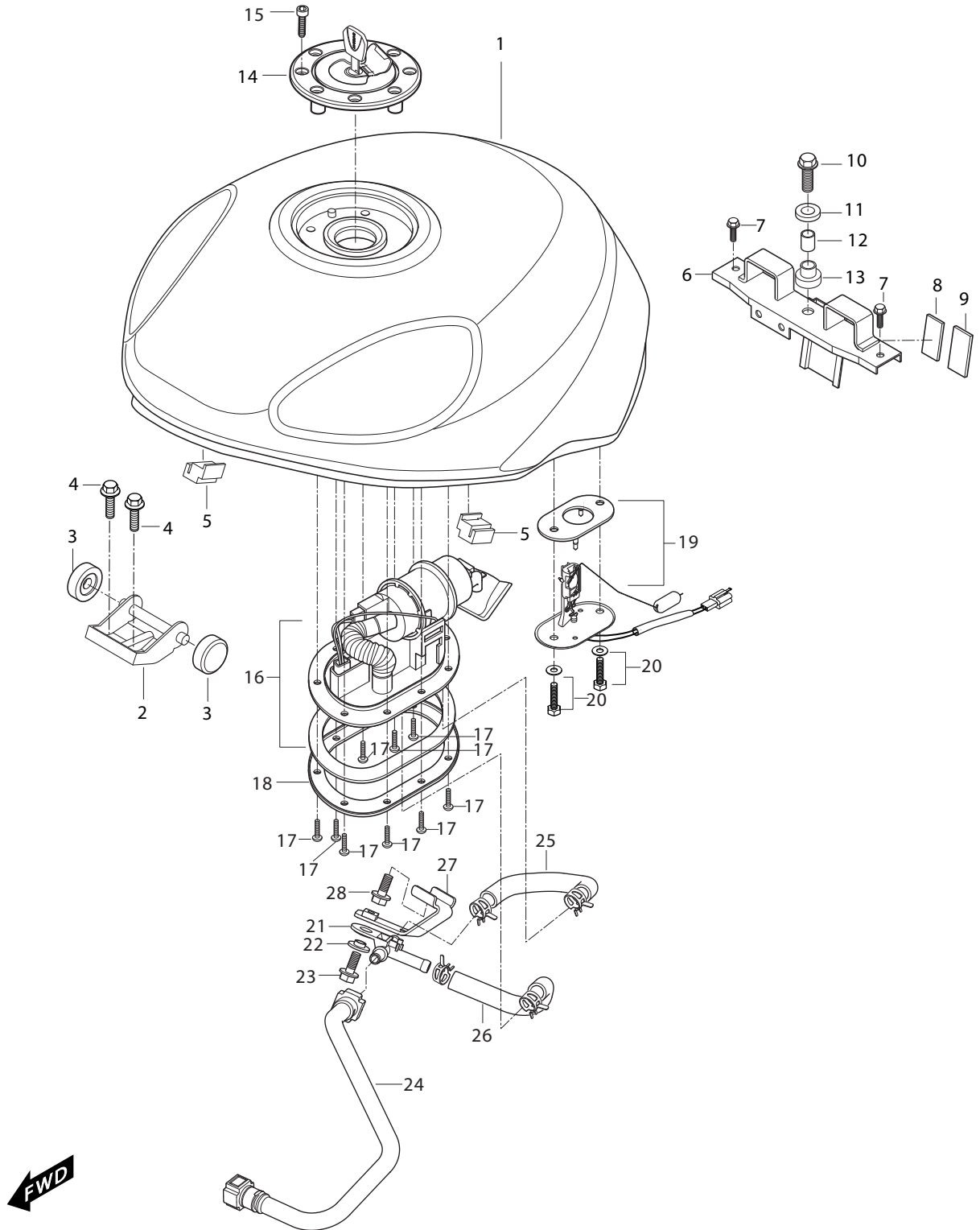


FIG 34. FUEL TANK

REF. NO.	2008	2009		PART NAME	Q'TY	REMARKS	REC.Q'TY (PCS)
	7EU01/7G01/7S01/7F01	9EG02/9EN01/9EU01.02 9F01/9G01/9S01	9AT02				
1	44110HP9300CMB			TANK COMP, fuel (BLACK)	1		5
1	44110HP9300CDB			TANK COMP, fuel (BLUE)	1		5
1	44110HP9300CMO			TANK COMP, fuel (YELLOW)	1		10
1	44110HP9300CTR			TANK COMP, fuel (RED)	1		10
1		44110HP9300CWP	44110HP9300CWP	TANK COMP, fuel (WHITE)	1	MODEL 2009	10
1		44110HP9300CBK	44110HP9300CBK	TANK COMP, fuel (BLACK)	1	MODEL 2009	
1		44110HP9300CDR	44110HP9300CDR	TANK COMP, fuel (RED)	1	MODEL 2009	
2	44520HM8100	44520HM8100	44520HM8100	BRKT COMP, fuel tank front	1		
3	09329-10007	09329-10007	09329-10007	CUSHION, fuel tank front	2		5
4	01517-06166	01517-06166	01517-06166	BOLT, fuel tank front brkt	2		50
5	09329H28001	09329H28001	09329H28001	CUSHION, fuel tank side	2		
6	44530HM8100	44530H99700	44530H99700	BRKT COMP, fuel tank RR	1		5
7	01517-06166	01517-06166	01517-06166	BOLT, fuel tank RR brkt	2		
8	44613HE7100	44613HE7100	44613HE7100	CUSHION, fuel tank RR brkt & battery	1		
9	44218HF4500	44218HF4500	44218HF4500	CUSHION, fuel tank RR brkt & battery	1		
10	09116H08078	09116H08078	09116H08078	BOLT, fuel tank RR	1		
11	09320H14013	09320H14013	09320H14013	CUSHION, fuel tank RR up	1		5
12	09180H08007	09180H08007	09180H08007	SPACER, fuel tank RR cushion	1		5
13	09320H10020	09320H10020	09320H10020	CUSHION, fuel tank RR lower	1		
14	44200H35C30	44200H35C30	44200H35C30	CAP ASSY, fuel tank filler	1		5
15	09106-05017	09106-05017	09106-05017	BOLT, fuel tank filler	4		
16	15100HR9700	15100HR8600	15100HR8600	PUMP ASS'Y, fuel module	1		5
17	09125H04016	09125H04016	09125H04016	SCREW, fuel pump module	10		5
18	15115HP9300	15115HP9300	15115HP9300	PLATE, fuel pump module	1		5
19	34810HP9300	34810HP9300	34810HP9300	GAUGE ASS'Y, fuel sender	1		5
20	09128-06035	09128-06035	09128-06035	BOLT, fuel sender	2		
21	15911HP9300	15911HP9300	15911HP9300	JOINT, fuel hose	1		
22	09169H06078	09169H06078	09169H06078	WASHER, fuel hose joint	1		
23	01517-06125	01517-06125	01517-06125	BOLT, joont	1		
24	15810HP9300	15810HP9301	15810H99700	HOSE COMP, fuel injector	1		5
25	15813HP9300	15813HP9300	15813HP9300	HOSE, regulator & joint	1		5

FIG 34

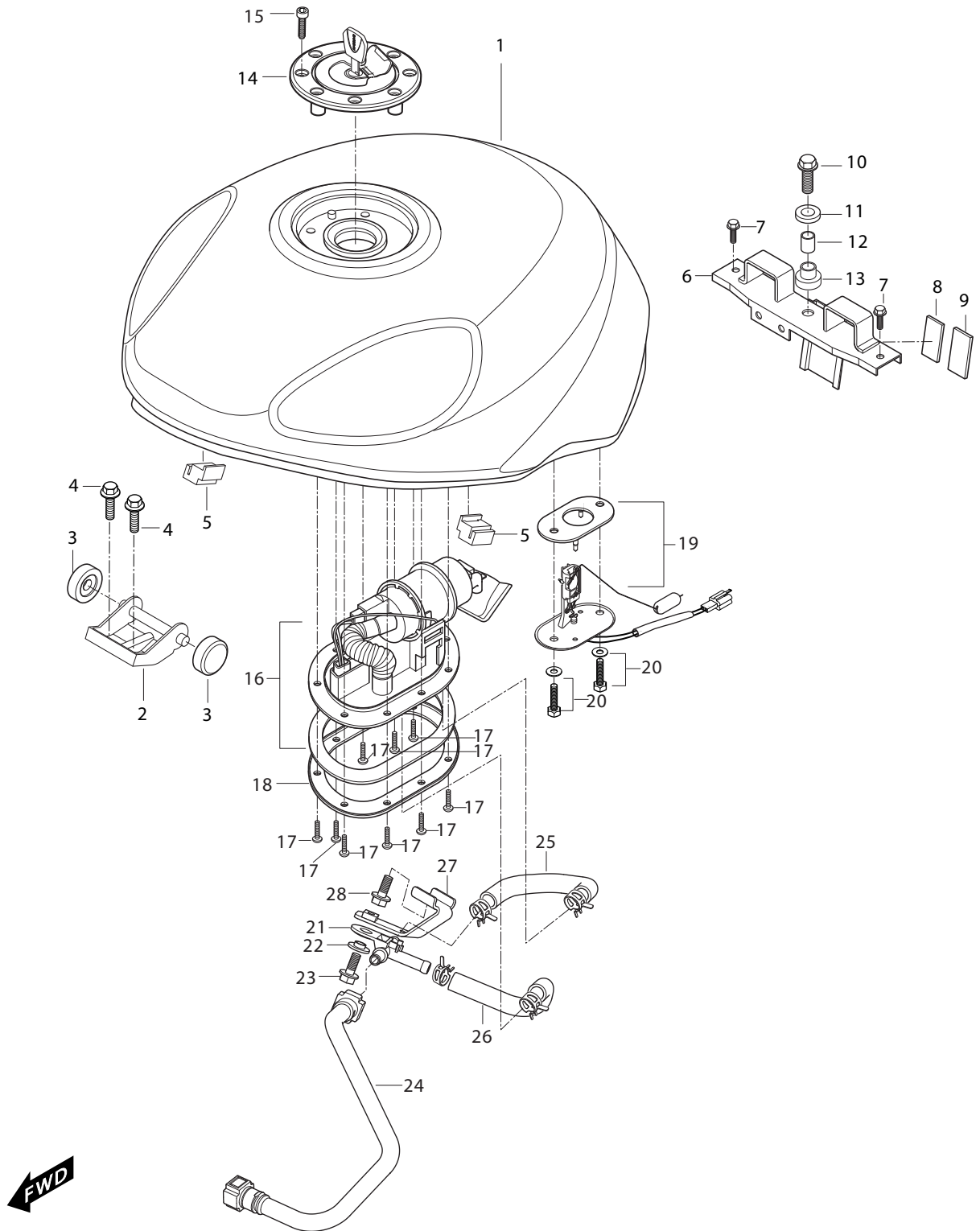


FIG 34. FUEL TANK

REF. NO.	2008 7EU01/7G01/7S01/7F01	2009 9EG02/9EN01/9EU01.02 9F01/9G01/9S01	9AT02	PART NAME	Q`TY	REMARKS	REC.Q`TY (PCS)
26	15812HP9300	15812HP9300	15812HP9300	HOSE, fuel pump & joint	1		
27	44410HP9300	44410HP9300	44410HP9300	BRKT COMP, joint lower	1		5
28	01517-06125	01517-06125	01517-06125	BOLT, joint lower brkt	1		
29	68319H05350PL	68319H05350PL	68319H05350PL	LABEL, caution NO.1 (7EU01)	1		5
	68319H05370PL	68319H05370PL	68319H05370PL	LABEL, caution NO.1 (7G01)	1		5
	68319H05380PL	68319H05380PL	68319H05380PL	LABEL, caution NO.1 (7S01)	1		5
	68319H05390PL	68319H05390PL	68319H05390PL	LABEL, caution NO.1 (7F01)	1		5

FIG 35(2008)

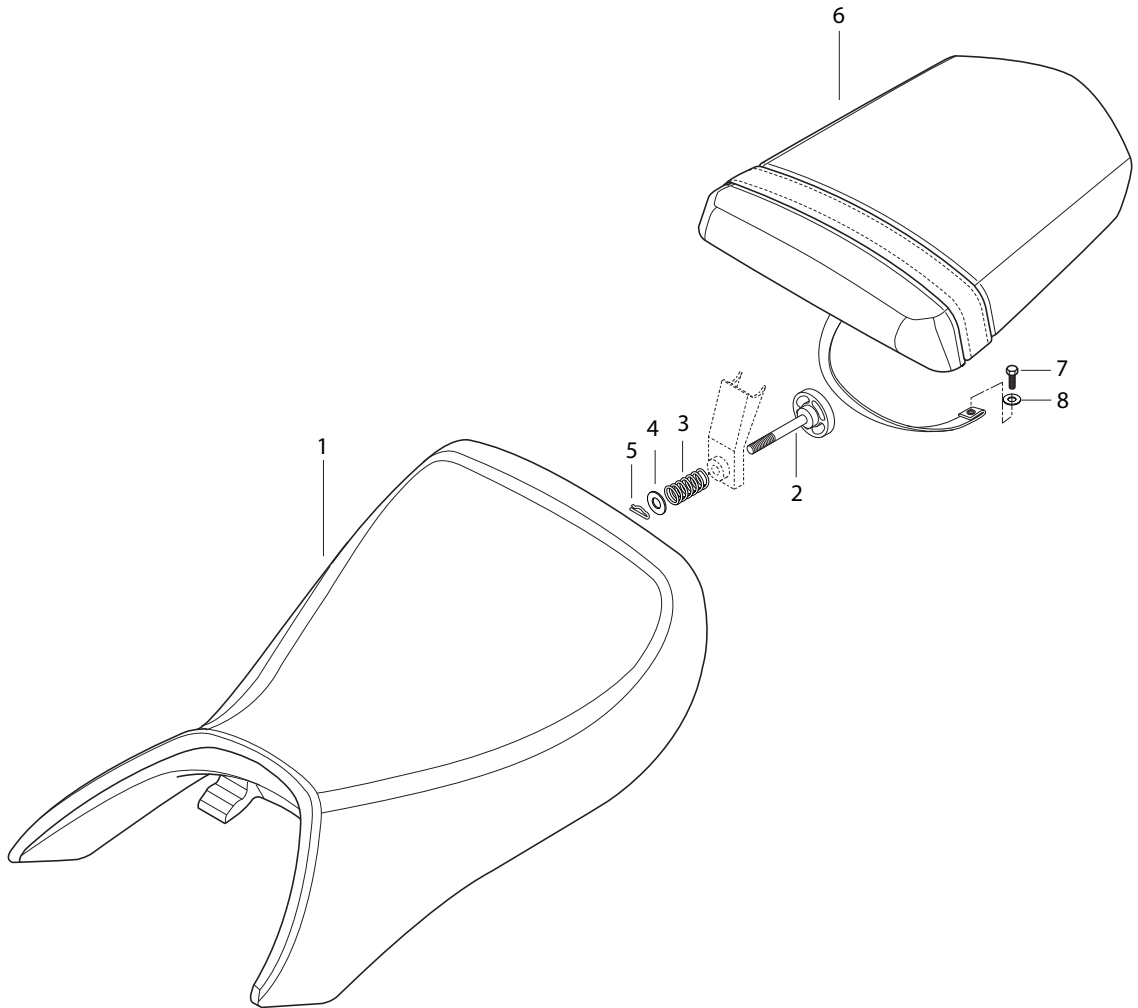


FIG 35. SEAT(2008)

REF.	2008	2009	PART NAME	Q`TY	REMARKS	REC.Q`TY
NO.	7EU01/7G01/7S01/7F01	9EG02/9EN01/9EU01.02 9F01/9G01/9S01	9AT02			(PCS)
1	45110HN9100HAS		SEAT SET, front	1		5
2	45120HM8101		KNOB COMP, seat front	1		5
3	09440-11016		SPRING, seat front knob	1		5
4	08322-11088		WASHER, seat front knob	1		15
5	04111-20208		PIN, seat front knob	1		10
6	45200HP9200		SEAT SET, rear	1		5
7	01517-06206		BOLT, rear seat	1		
8	09160-06057		WASHER, rear seat	1		5

FIG 35(2009)

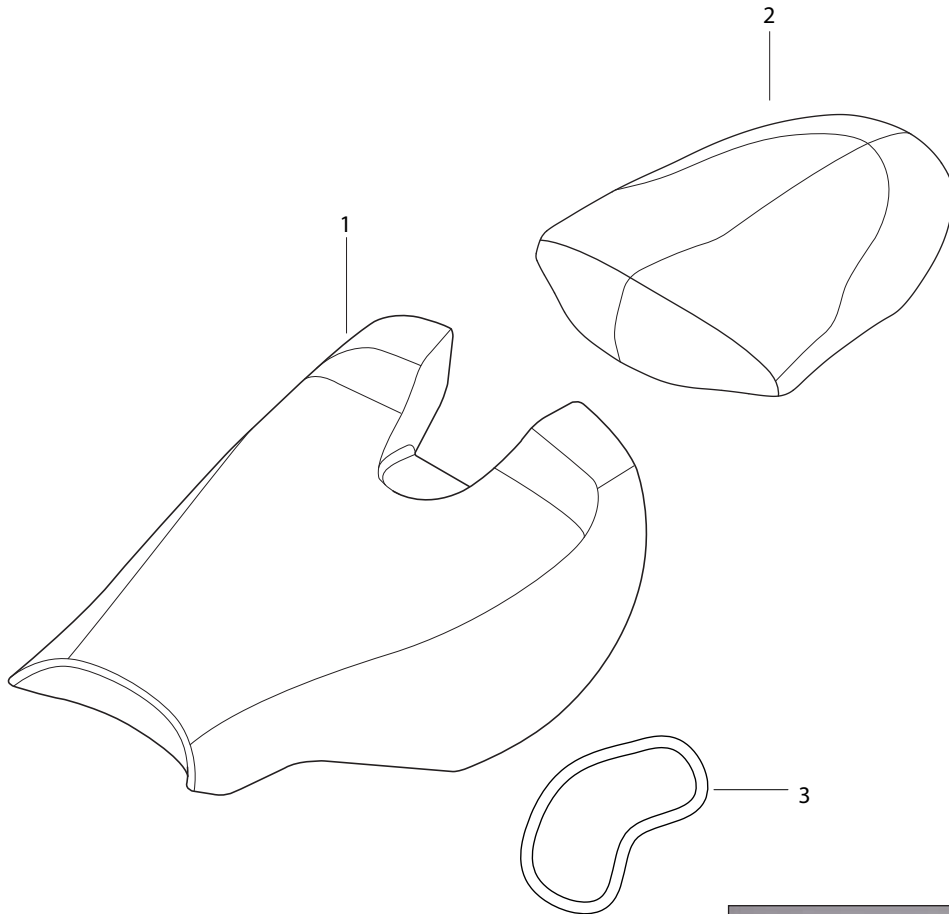


FIG 36(2008)

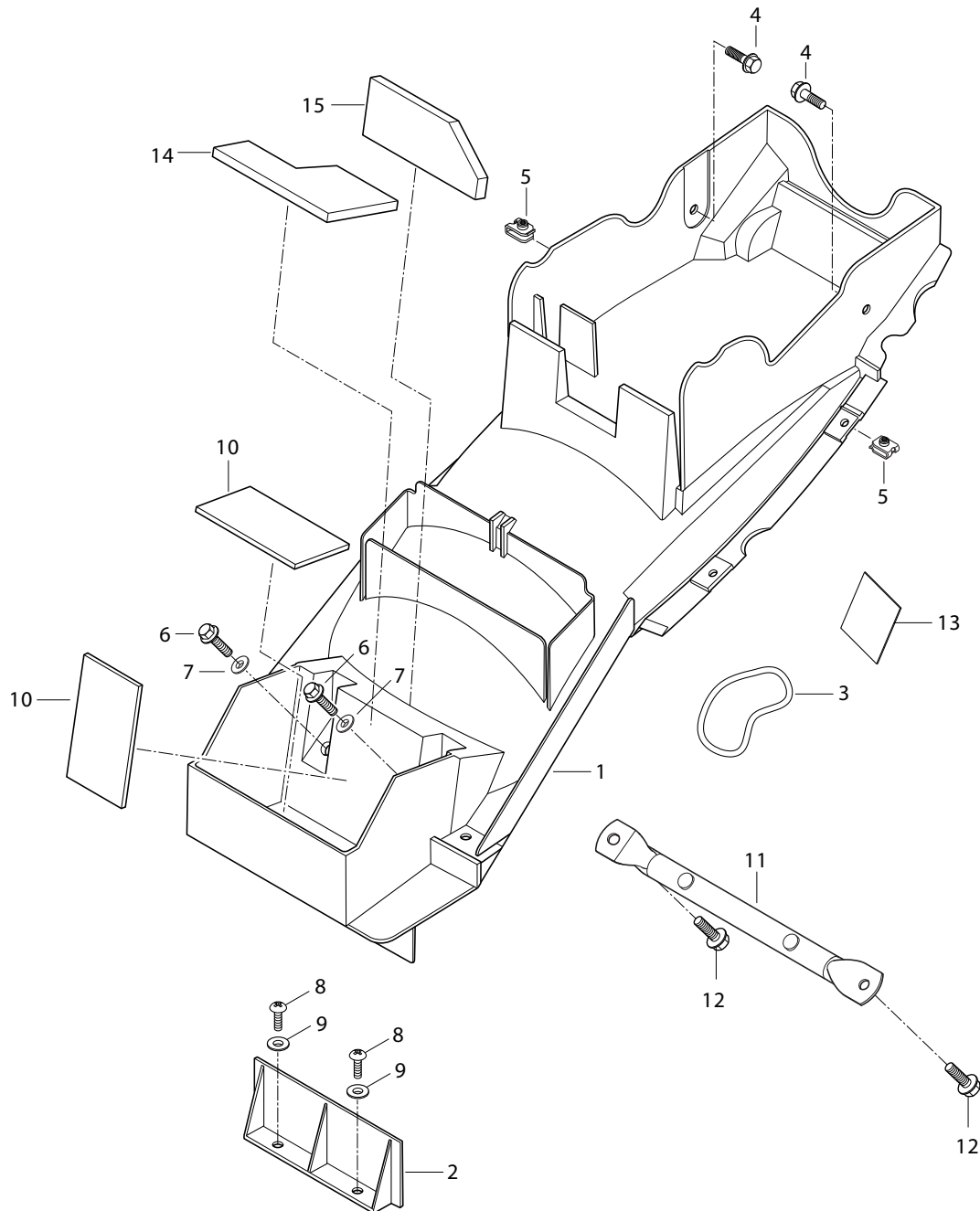


FIG 36. REAR FENDER(2008)

REF.	2008	2009	PART NAME	Q'TY	REMARKS	REC.Q'TY
NO.	7EU01/7G01/7S01/7F01	9EG02/9EN01/9EU01.02 9F01/9G01/9S01	9AT02			(PCS)
1	63112HM810512A		FENDER, rear front	1		5
2	63113HM810112A		FENDER, rear lower	1		5
3	09280-63003		BAND, tool	1		5
4	09111H06066		BOLT, rr fender ft up	2		5
5	09148-05039		NUT, rr fender ft	2		20
6	01517-06166		BOLT, rr fender ft & frame side tube	2		20
7	09169-06032		WASHER, rr fender ft & frame side tube	2		20
8	02142-06166		SCREW, rr fender lower	2		20
9	09169-06032		WASHER, rr fender lower	2		20
10	41589HG5900		CUSHION, rr fender ft & battery	1		40
11	41589HR9700		CUSHION, rr fender ft & battery NO2	1		10
12	63120HM810003P		TUBE COMP, RR fender FT & frm side	1		5
13	63120HN9150120		TUBE COMP, RR fender FT & frm side	1		5
14	01517-08168		BOLT, frm side tube	2		5
15	63115HN9101		TAPE, RR fender FT	1		5
16	68350HM8150PL		LABEL, caution NO.1 (7EU01)	1		5
	68350HM8160PL		LABEL, caution NO.1 (7G01)	1		5
	68350HM8180PL		LABEL, caution NO.1 (7S01)	1		5
	68350HM8190PL		LABEL, caution NO.1 (7F01)	1		5
17	02142-04088		BOLT, RR Fender FT	2		

FIG 36(2009)

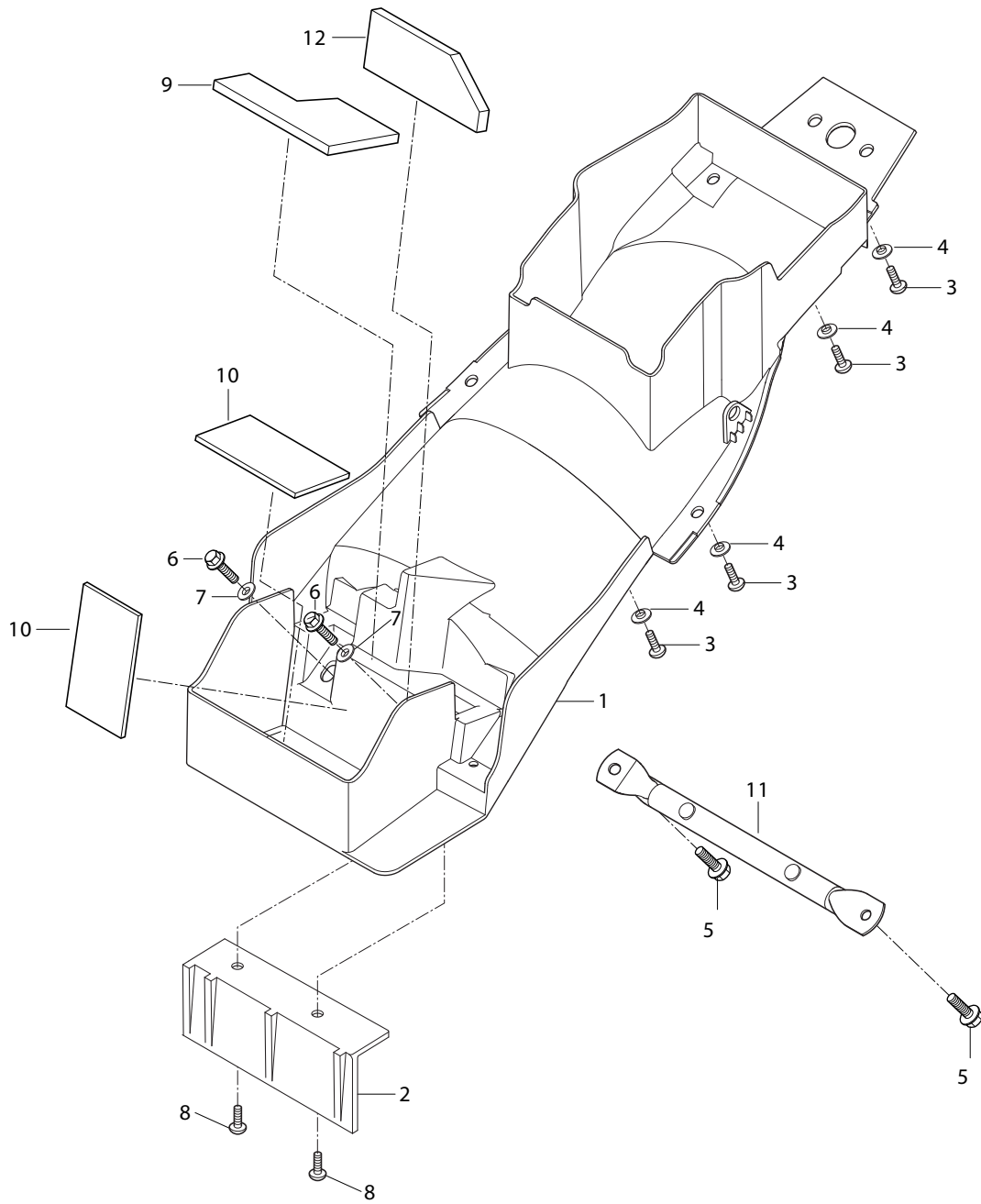


FIG 36. REAR FENDER(2009)

REF. NO.	2008 7EU01/7G01/7S01/7F01	2009 9EG02/9EN01/9EU01.02 9F01/9G01/9S01	9AT02	PART NAME	Q'TY	REMARKS	REC.Q'TY (PCS)
1		63112H99700	63112H99700	FENDER, rear front	1		5
2		63114H99700	63114H99700	FENDER, rear front lower	1		5
3		09106H06150	09106H06150	SCREW, side cover lower & RR fender front lower	4		5
4		09169H06078	09169H06078	WASHER, side cover lower & RR fender front lower	4		5
5		01517-08168	01517-08168	BOLT, frm side tube	2		20
6		01517-06166	01517-06166	BOLT, rr fender ft & frame side tube	2		20
7		09169-06032	09169-06032	WASHER, rr fender ft & frame side tube	2		20
8		02142-06125	02142-06125	SCREW, rr fender lower front lower	2		20
9		63161HP9300	63161HP9300	CUSHION, ecu lower	1		20
10		41589HG5900	41589HG5900	CUSHION, rr fender ft & battery	2		40
11		63120HM8102	63120HM8102	TUBE COMP, RR fender FT & frm side	1		10
12		63162HP930	63162HP930	CUSHION, ecu rear	1		5
13		68350HM8150PL	68350HM8150PL	LABEL, caution NO.1 (9EU01)	1		5
		68350HM8160PL	68350HM8160PL	LABEL, caution NO.1 (9G01)	1		5
		68350HM8180PL	68350HM8180PL	LABEL, caution NO.1 (9S01)	1		5
		68350HM8190PL	68350HM8190PL	LABEL, caution NO.1 (9F01)	1		5

FIG 37(2008)

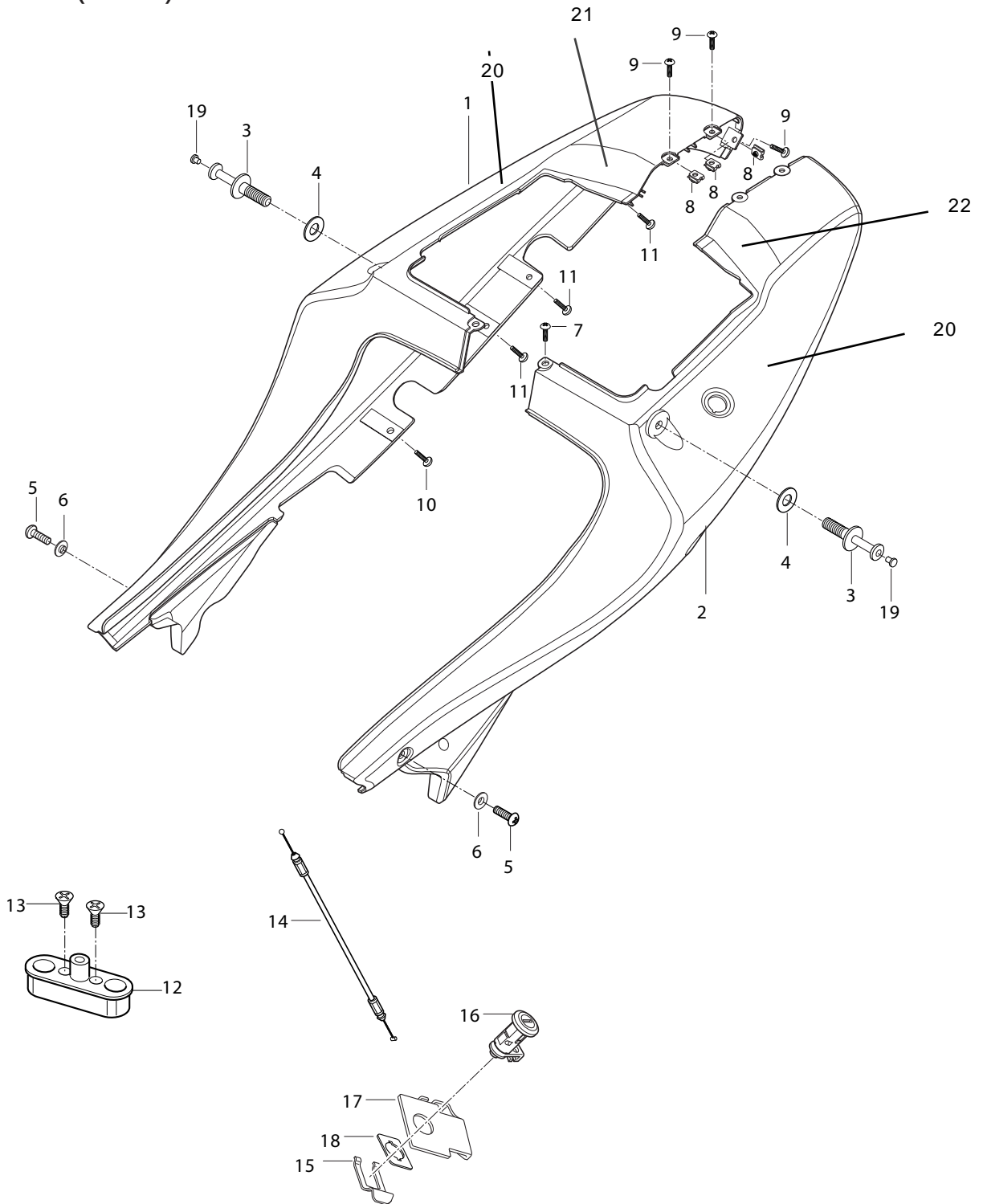


FIG 37. SIDE COVER(2008)

REF.	2008	2009	PART NAME	Q'TY	REMARKS	REC.Q'TY
NO.	7EU01/7G01/7S01/7F01	9EG02/9EN01/9EU01.02 9F01/9G01/9S01	9AT02			(PCS)
1	47111HM8104		COVER, side RH(color: CMB,CDB,CMO,CTR:WITHOUT EMBLEM)	1		
2	47211HM8105		COVER, side LH(color: CMB,CDB,CMO,CTR:WITHOUT EMBLEM)	1		
3	47113HM8101		BOLT, luggage support	2		20
4	08322-11088		WASHER, luggage bolt & frm side	2		20
5	09106H06150		SCREW, frm side front	2		20
6	09169H06078		WASHER, frm side front	2		20
7	02142-06165		SCREW, frm side center	1		10
8	09148H05029		NUT, frm side rear up	3		15
9	09106H05150		SCREW, frm side rear up	3		15
10	02142-06165		SCREW, frm side low & frm	2		10
11	09106H05150		SCREW, frm side low & rear fender	6		20
12	45220HM8101		LOCK ASS'Y, seat striker rear	1		5
13	02122-06308		SCREW, seat striker	2		10
14	45280-35C00		CABLE COMP, seat lock	1		5
15	92414HF4500		LOCK, key set & seat lock guide	1		5
16	45700HG2610		LOCK ASS'Y, seat	1		
17	45381HG2601		GUIDE, seat lock cable	1		5
18	92413HF4501		WASHER, key set & seat lock guide	1		5
19	47115HN9100		CAP, luggage support bolt	2		10
20	68130HP9300015		EMBLEM,GT650(GT) for 0DB and 0TR	2		10
	68130HP930003P		EMBLEM,GT650(GT) for 0MB	2		
	68130HP9300120		EMBLEM,GT650(GT) for 0MO	2		
21	68204HN9100		TAPE, rear seat & s/cover R	1		5
22	68206HN9100		TAPE, rear seat & s/cover L	1		5

FIG 37(2009)

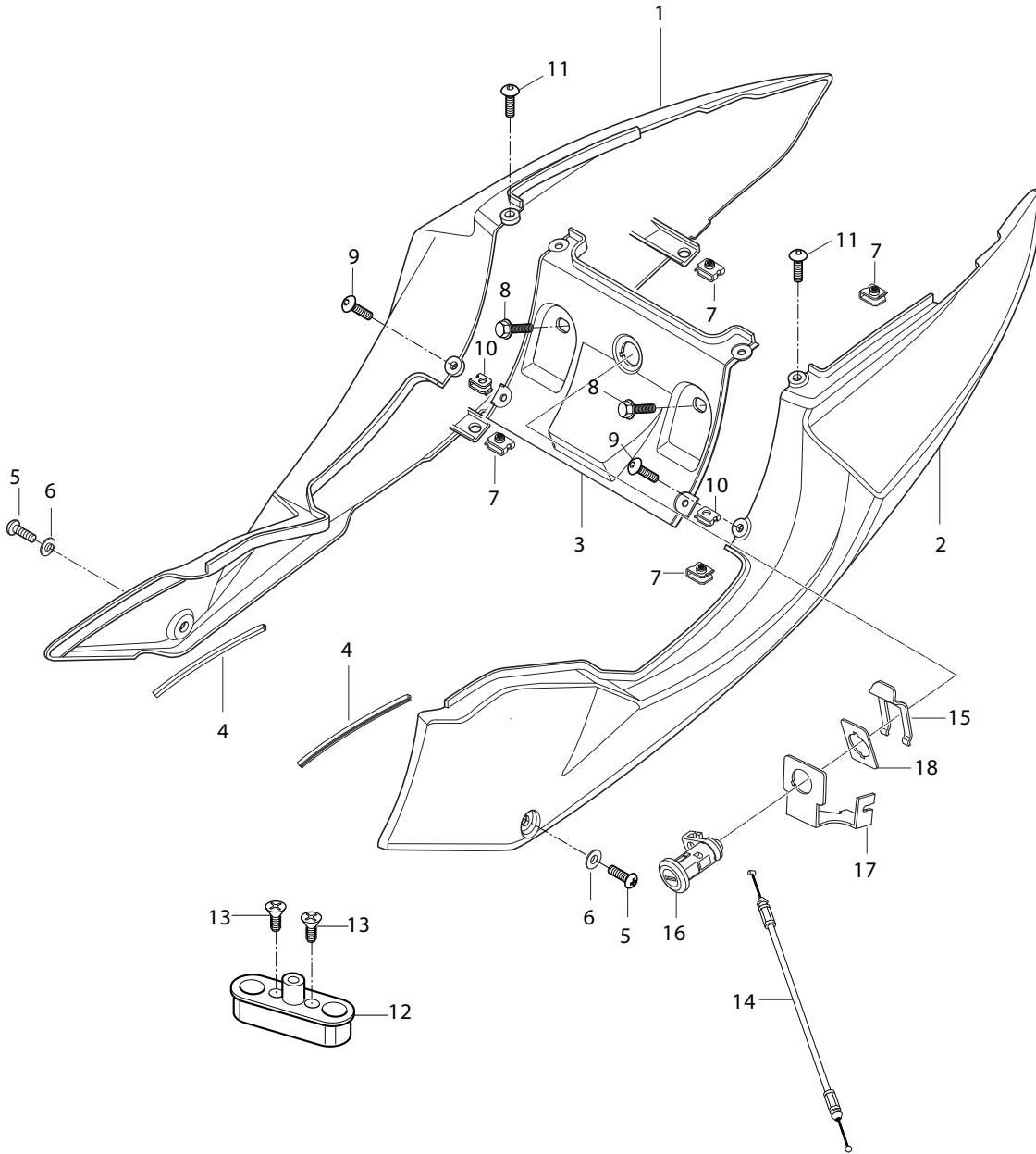


FIG 37. SIDE COVER(2009)

REF.	2008	2009	PART NAME	Q'TY	REMARKS	REC.Q'TY
NO.	7EU01/7G01/7S01/7F01	9EG02/9EN01/9EU01.02 9F01/9G01/9S01	9AT02			(PCS)
1		47111H99700CWP	47111H99700CWP	COVER, side R (WHITE)	1	
1		47111H99700CDR	47111H99700CDR	COVER, side R (RED)	1	
1		47111H99700CBK	47111H99700CBK	COVER, side R (BLACK)	1	20
2		47211H99700CWP	47211H99700CWP	COVER, side L (WHITE)	1	20
2		47211H99700CDR	47211H99700CDR	COVER, side L (RED)	1	20
2		47211H99700CBK	47211H99700CBK	COVER, side L (BLACK)	1	20
3		47311H99700CWP	47311H99700CWP	COVER, center (WHITE)	2	10
3		47311H99700CDR	47311H99700CDR	COVER, center (RED)	2	15
3		47311H99700CBK	47311H99700CBK	COVER, center (BLACK)	2	15
4		94631H99700	94631H99700	MOLDING, side cover	2	10
5		09106H06150	09106H06150	SCREW, frame side front	2	20
6		09169H06078	09169H06078	WASHER, frame side front	2	5
7		09148-06020	09148-06020	NUT, side cover lower & RR fender FT lower	4	10
8		01517-06258	01517-06258	BOLT, front seat	2	5
9		09106H05150	09106H05150	SCREW, center cover & side cover lower	2	5
10		09148H05029	09148H05029	NUT, center cover & side cover lower	2	
11		09106H06150	09106H06150	SCREW, frame side cover & center cover upper	2	5
12		45220HM8101	45220HM8101	LOCK ASS'Y, seat striker rear	1	5
13		02122-06308	02122-06308	SCREW, seat striker	2	10
14		45280-35C00	45280-35C00	CABLE COMP, seat lock	1	10
15		92414HF4500	92414HF4500	LOCK, key set & seat lock guide	1	
16		45700HG2630	45700HG2630	LOCK ASS'Y, seat	1	
17		45381HG2601	45381HG2601	GUIDE, seat lock cable	1	5
18		92413HF4501	92413HF4501	WASHER, key set & seat lock guide	1	5
*		68920HN92300E5	68920HN92300E5	EMBLEM,EFI(for BLACK)	1	
*		68920HN92300E6	68920HN92300E6	EMBLEM,EFI(for RED,WHITE)	1	
*		68130H9930203P	68130H9930203P	TAPE,GT650(for BLACK)	1	
*		68130H99302120	68130H99302120	TAPE,GT650(for RED,WHITE)	1	

FIG 38(2008)

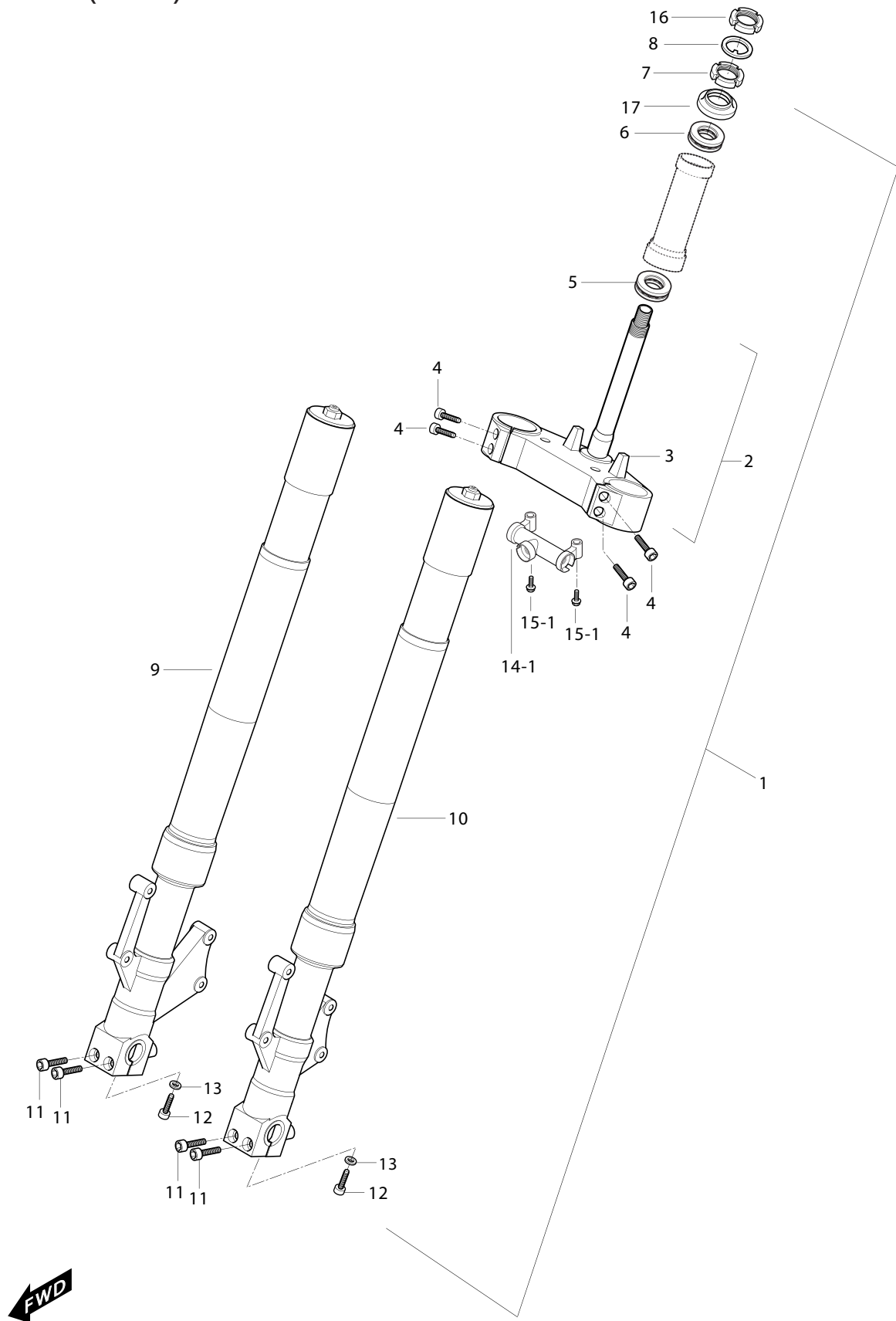


FIG 38. FRONT FORK(2008)

REF.	2008	2009	PART NAME	Q'TY	REMARKS	REC.Q'TY
NO.	7EU01/7G01/7S01/7F01	9EG02/9EN01/9EU01.02 9F01/9G01/9S01	9AT02			(PCS)
1	51100HP9250HPA		FORK ASS'Y, front(BLACK)	1		5
2	51411HP9204		BRACKET COMP, front fork under	1		5
3	51411HP9201		BRACKET, front fork under	1	NOT SALE	
3~0	51411HP9204		BRACKET, front fork under	1	NOT SALE	
3-1	51412HM8102		STEER'G STEM	1	NOT SALE	
3-2	51413HM8100		STOPP,ft fork under	1	NOT SALE	
4	07110-08258		BOLT, front fork under bracket	4		55
5	09265H25001		BEARING, steering lower	1		5
6	09265H28001		BEARING, steering upper	1		5
7	51631-28000		NUT, steering stem	1		5
8	09166H25001		WASHER, steering stem	1		5
9-1	51210HP9250120		DAMPER ASS'Y, front fork R(BLACK)	1		
10-1	51220HP9250120		DAMPER ASS'Y, front fork L(BLACK)	1		
10-A1	52120HP9400		CAP,OUTER TUBE(BLUE)	2		
10-B1	52210HP9400120		UPPER CASE, FORK(BLACK)	2		
10-C	52110-N9100		PIPE, FORK	2		
10-D	51255HG5800		OIL SEAL, FORK	2		
10-D1	52620-G5800		AIR DUST COVER	2		
10-E1	52280HP9400120		BOTTOM BLOCK RH(BLACK)	1		
10-F1	52270HP9400120		BOTTOM BLOCK LH(BLACK)	1		
11	09106H08458		BOLT, axle grip	4		40
12	07110-08258		BOLT, fork clip	2		55
13	90544H93B00		WASHER, spacer	2		
14	51511HN9101		JOINT, front brake hose	1		
15	01517-06308		BOLT, front brake hose joint	2		
16	51631HN9100		NUT, steering stem upper	1		
17	51643HG5801		DUST SEAL, steering upper	1		5
18	09164H28001		WASHER, PROTECTOR	1		5

FIG 38(2009)

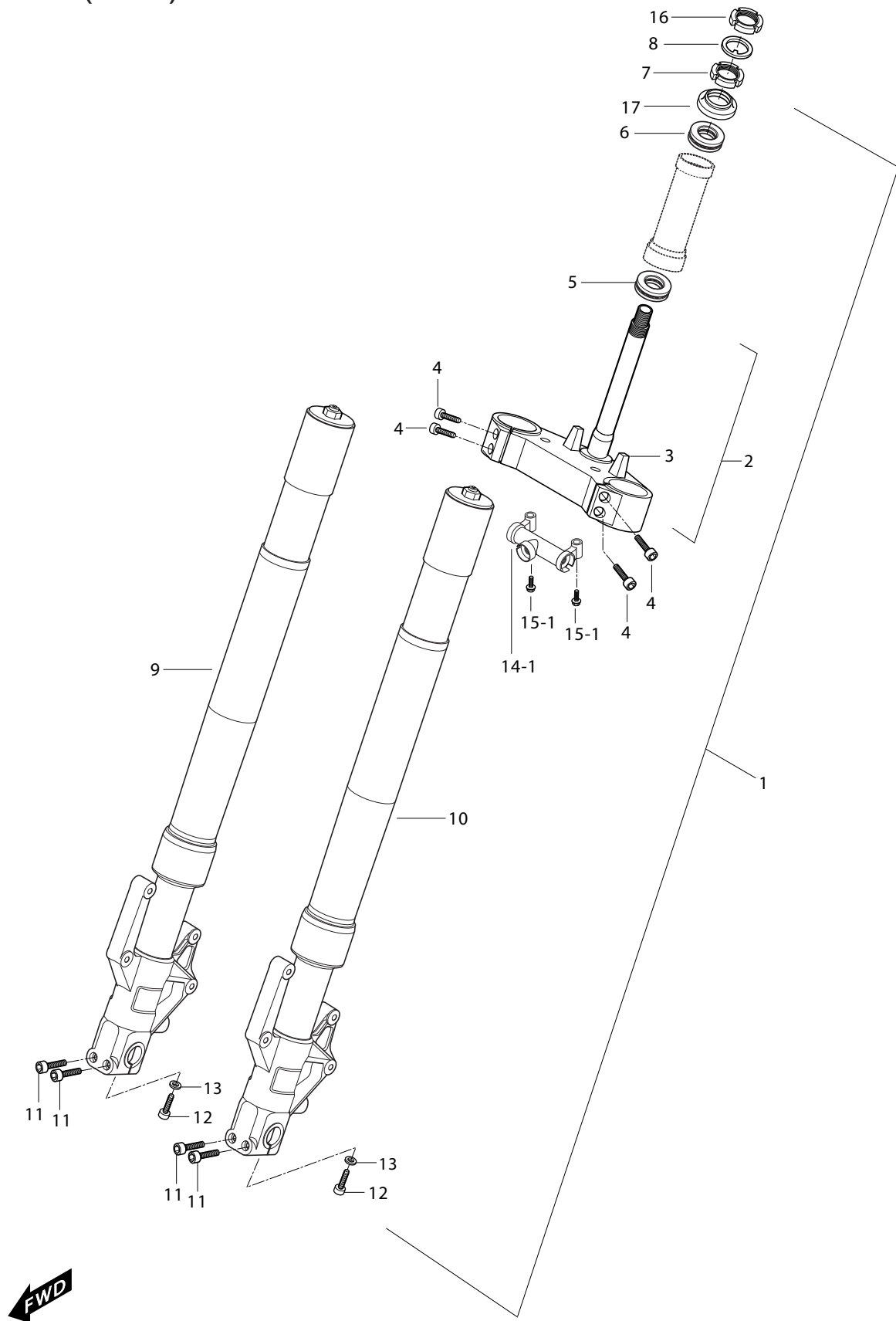
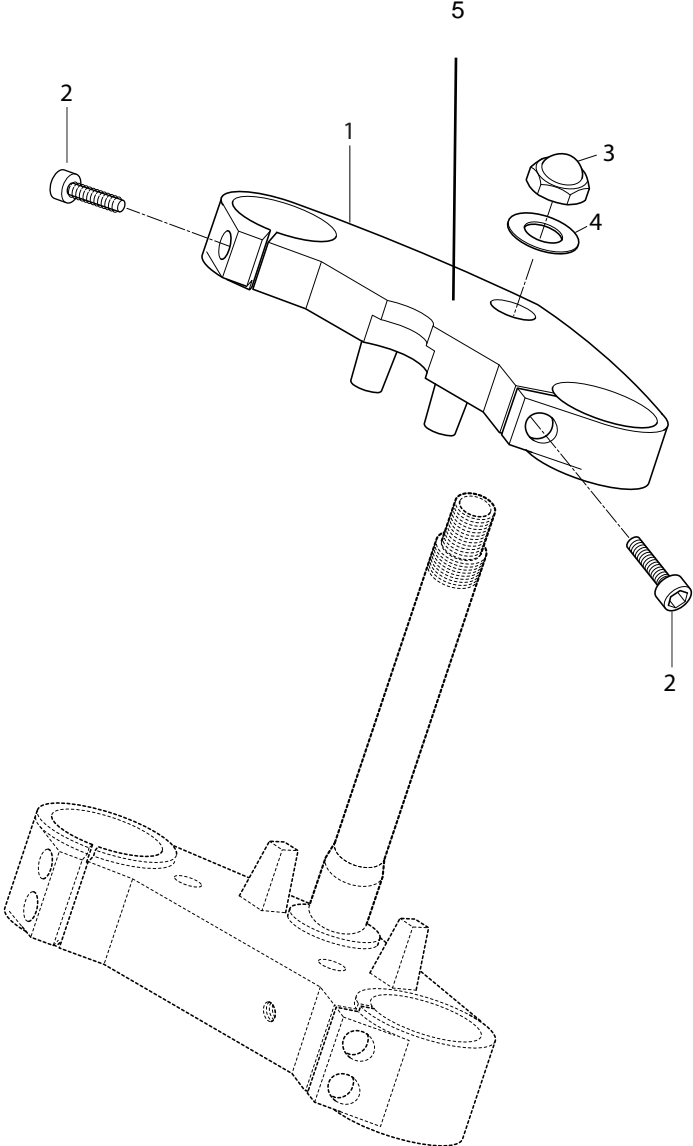


FIG 39(2008)

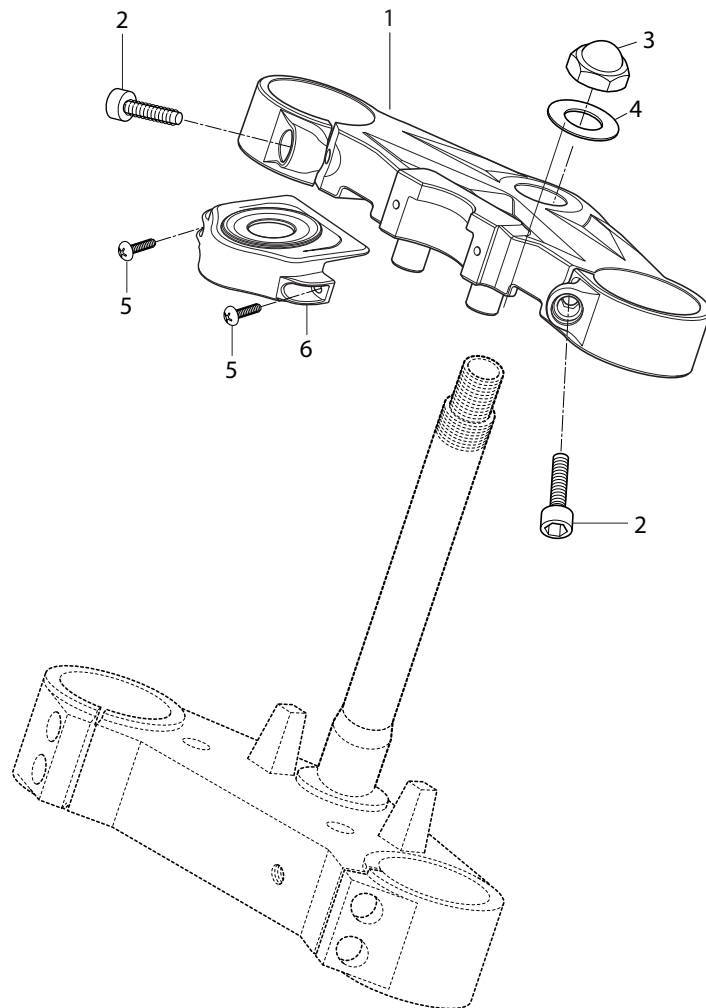


FWD ←

FIG 39. STEERING HEAD (2008)

REF. NO.	2008 7EU01/7G01/7S01/7F01	2009 9EG02/9EN01/9EU01.02 9F01/9G01/9S01	9AT02	PART NAME	Q`TY	REMARKS	REC.Q`TY (PCS)
1	51311HP920003P			BRACKET, front fork upper	1		5
2	07110-08258			BOLT, front fork upper bracket	2		55
3	09159H22002			NUT, steering upper	1		5
4	09160H22032			WASHER, str upper	1		5
5	56211-35C00			HOLDER, handle bar	2		
6	56171HF4601			COVER, steering head	1		
7	09106H08458			BOLT, handle holer upper	4		
8	56222HG5100			CAP, headle holder upper bolt	4		

FIG 39(2009)



← FWD

FIG 39. STEERING HEAD (2009)

REF. NO.	2008 7EU01/7G01/7S01/7F01	2009 9EG02/9EN01/9EU01.02 9F01/9G01/9S01	9AT02	PART NAME	Q`TY	REMARKS	REC.Q`TY (PCS)
1		51311H9930003P	51311H9930003P	BRACKET, front fork upper	1		5
2		07110-08258	07110-08258	BOLT, front fork upper bracket	2		55
3		09159H22002	09159H22002	NUT, steering upper	1		5
4		09160H22032	09160H22032	WASHER, str upper	1		5
5		56211-35C00	56211-35C00	HOLDER, handle bar	2		
6		56171HF4601	56171HF4601	COVER, steering head	1		
7		09106H08458	09106H08458	BOLT, handle holer upper	4		
8		56222HG5100	56222HG5100	CAP, headle holder upper bolt	4		

FIG 40(GT650)

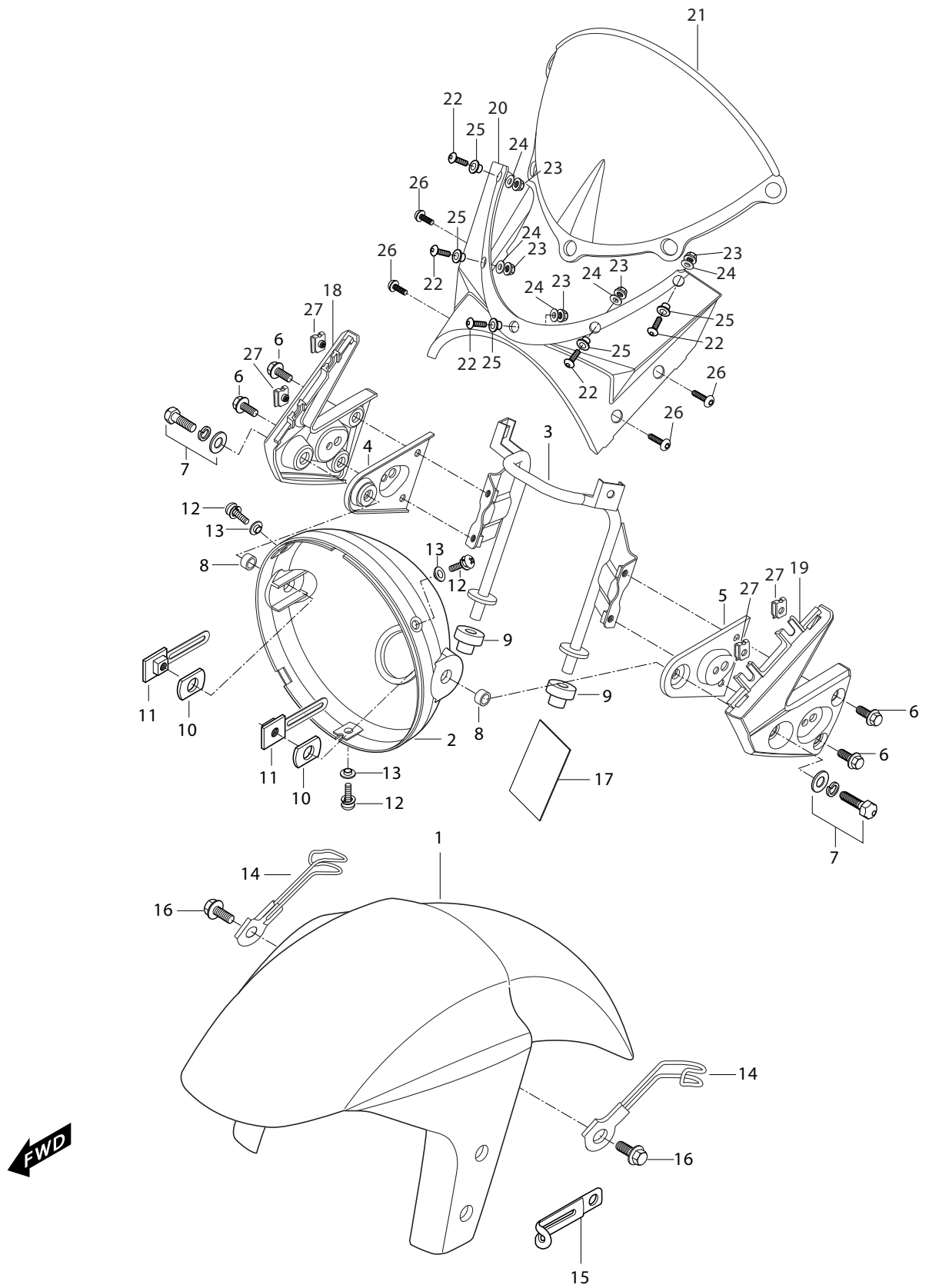


FIG 40. FRONT FENDER

REF. NO.	2008 7EU01/7G01/7S01/7F01	2009 9EG02/9EN01/9EU01.02 9F01/9G01/9S01	2009 9AT02	PART NAME	Q'TY	REMARKS	REC.Q'TY (PCS)
1	53111HM8100	53111HM81010BK	53111HM81010BK	FENDER, front	1		5
2	51811HM8101PAM	51811HM8101PAM	51811HM8101PAM	HOUSING, headlamp	1		5
3	51550HM8100	51550HM8100	51550HM8100	BRACE COMP, headlamp housing	1		5
4	51540HM8100PLA	51540HM8100PLA	51540HM8100PLA	BRKT COMP, headlamp housing R	1		5
5	51530HM8100PLA	51530HM8100PLA	51530HM8100PLA	BRKT COMP, headlamp housing L	1		10
6	01517-06128	01517-06128	01517-06128	BOLT, plate headlamp	4		
7	01284-08258	01284-08258	01284-08258	BOLT, headlamp housing	2		
8	09180-08092	09180-08092	09180-08092	SPACER, headlamp housing	2		
9	09320-10020	09320-10020	09320-10020	CUSHION, under brkt & headlamp housing brace	2		
10	09329-12002	09329-12002	09329-12002	CUSHION, headlamp housing	2		
11	51820-45000	51820-45000	51820-45000	PLATE COMP, headlamp housing	2		
12	02112-95208	02112-95208	02112-95208	SCREW, housing & headlamp	3		
13	09169-05008	09169-05008	09169-05008	WASHER, housing & headlamp	3		
14	59430HN9100	59440HN9101	59440HN9101	CLAMP COMP, front brake hose	2		
15	59440HN9100	09404-08403	09404-08403	CLAMP, speed sensor	1		
16	01517-08126	01517-08126	01517-08126	BOLT, front brake hose clamp R/L	2		
17	51815HN9100	51815HN9100	51815HN9100	TAPE, head lamp housing LH	1		
18	09404-08403	94412HN9100	94412HN9100	COWLING BODY, side R	1		
19	94611HN9100	94413HN9100	94413HN9100	COWLING BODY, side L	1		
20	94411HN9100	94411HN9100	94411HN9100	COWLING BODY, center	1		
21	94412HN91000S3	94611HN9100	94611HN9100	WINDSCREEN	1		
22	94413HN91000S3	09106H05150	09106H05150	BOLT, windscreen & body center cowling	5		
23		08316-26055	08316-26055	NUT, windscreen & body center cowling	5		
24		09169-05018	09169-05018	SPACER, windscreen & body center cowling	5		
25		09320-07012	09320-07012	CUSHION, windscreen & body center cowling	5		
26		09106-05150	09106-05150	BOLT,body ctr cowling & body side cowling	4		
27		019148-05039	019148-05039	NUT, body ctr cowling & body side cowling	4		

FIG 41

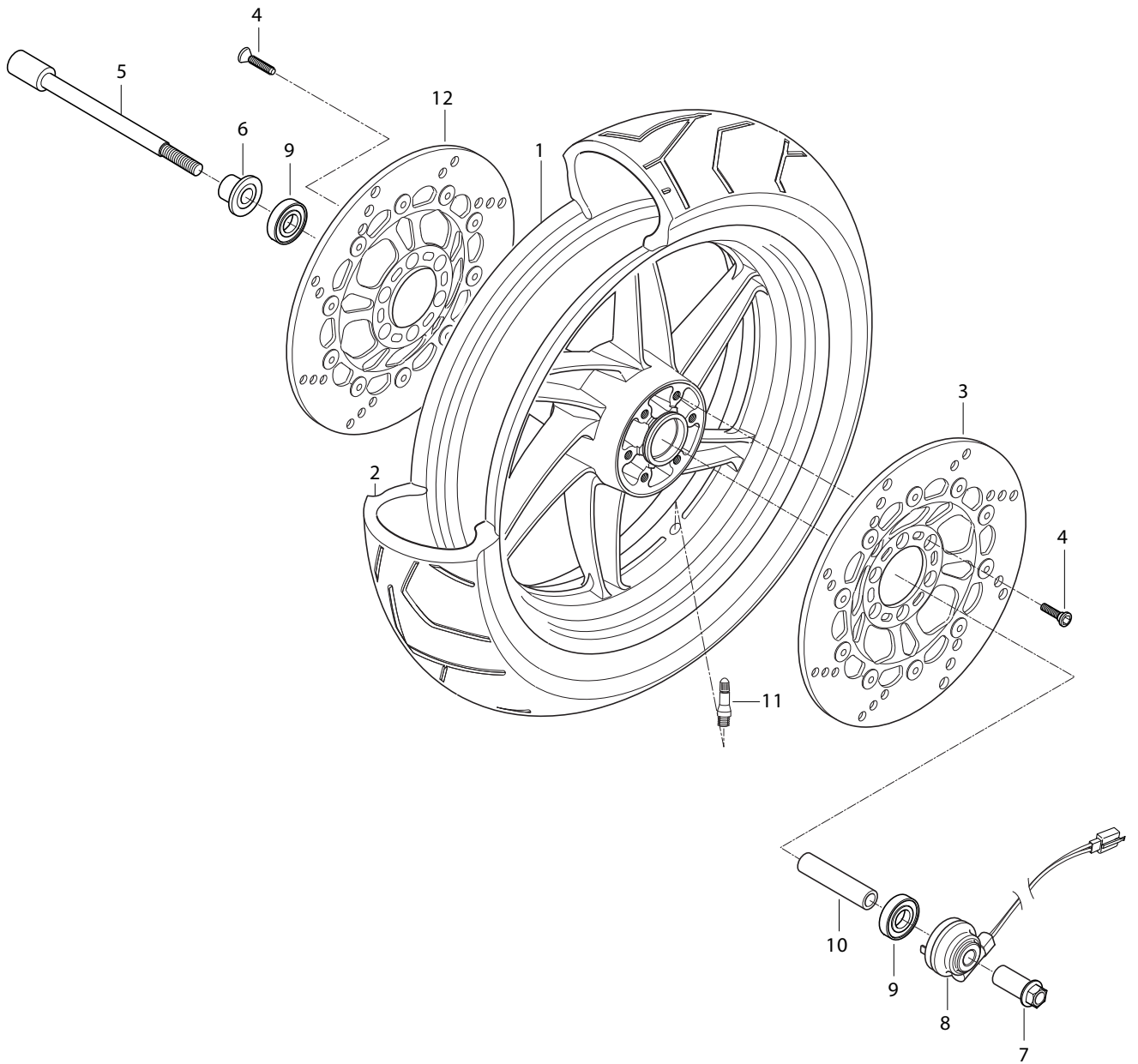


FIG 41. FRONT WHEEL

REF. NO.	2008 7EU01/7G01/7S01/7F01	2009 9EG02/9EN01/9EU01.02 9F01/9G01/9S01	9AT02	PART NAME	Q'TY	REMARKS	REC.Q'TY (PCS)
1	54140HN9101120	54140HN9101120	54140HN9101120	WHEEL + BEARING	1		5
2	55100HN9101	55100HN9101	55100HN9101	TIRE COMP, front (120/60-17 55W)	1		5
3	59211HM8101	59211HM8101	59211HM8101	DISC COMP, front L	1		5
4	59421-03A01	59421-03A01	59421-03A01	BOLT, front brake disc	12		90
5	54711HG5101	54711HG5101	54711HG5101	AXLEL, front	1		5
6	54740HM8101	54740HM8101	54740HM8101	SPACER COMP, front axle R	1		5
7	54721HM8100	54721HM8100	54721HM8100	NUT, front axle	1		5
8	34860HP9201	34860HP9201	34860HP9201	SENSOR ASS'Y, speedometer	1		5
9	08124-63027	08124-63027	08124-63027	BEARING, front hub	2		10
10	54731HM8100	54731HM8100	54731HM8100	SPACER, front hub	1		5
11	55220-29C20	55220-29C20	55220-29C20	VALVE ASS'Y, wheel rim	1		
12	59221HM8161	59221HM8161	59221HM8161	DISC COMP, F/T R	1		5

FIG 42

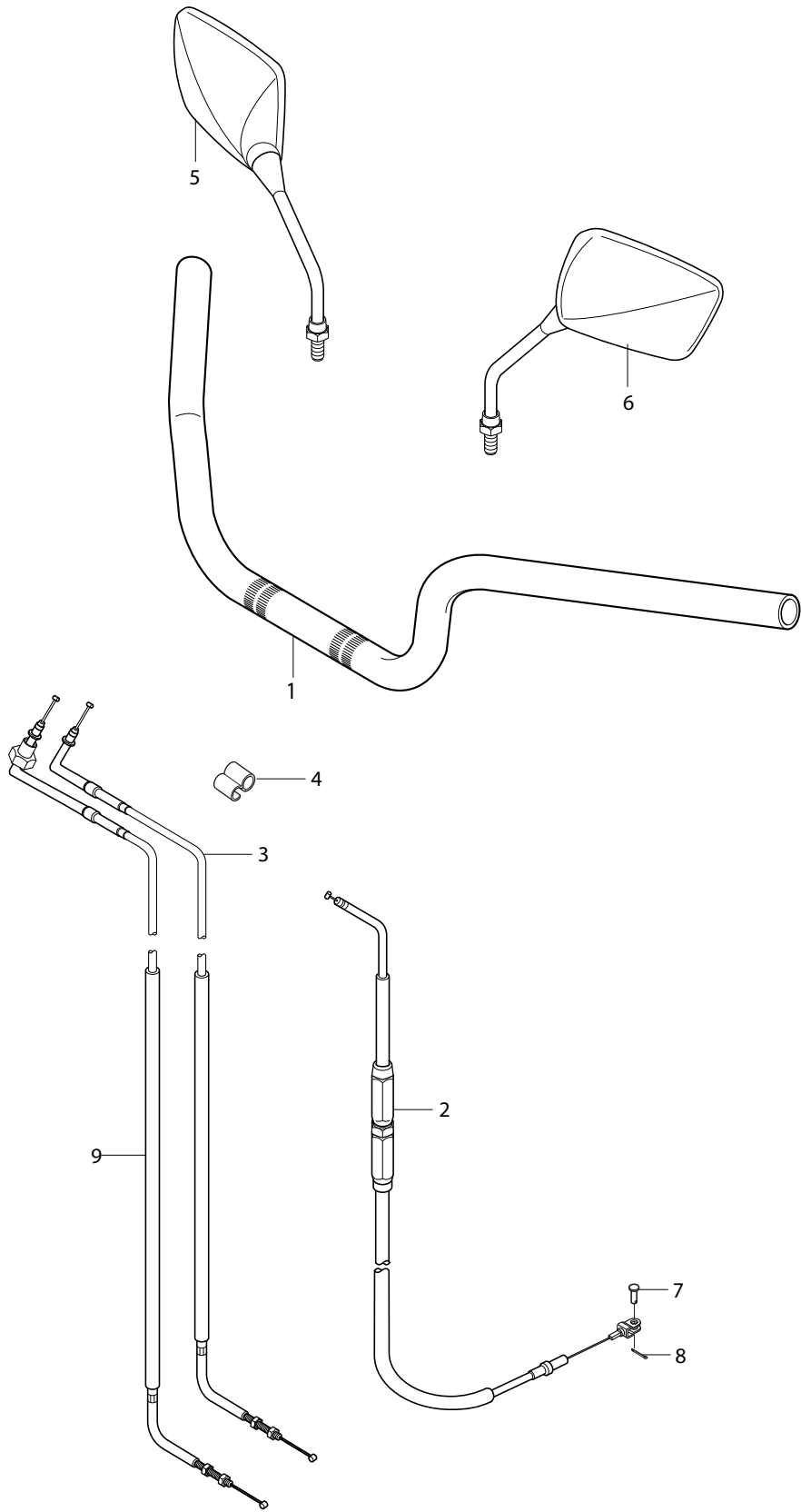


FIG 42. HANDLE BAR

REF. NO.	2008 7EU01/7G01/7S01/7F01	2009 9EG02/9EN01/9EU01.02 9F01/9G01/9S01	9AT02	PART NAME	Q`TY	REMARKS	REC.Q`TY (PCS)
1	56110HN9102WED	56110H9810103S	56110H9810103S	HANDLE BAR COMP	1		
2	58200H99300	58200H99300	58200H99300	CABLE ASS`Y CLUTCH	1		
3	58300HP9301	58300HP9301	58300HP9301	CABLE ASS`Y, throttle	1		
4	09408-00002	09408-00002	09408-00002	CLIP, throttle cable & return cable	1		
5	56500HN9100	56500HN9100	56500HN9100	MIRROR ASS`Y, rear view R	1		
6	56600HN9100	56600HN9100	56600HN9100	MIRROR ASS`Y, rear view L	1		
7	09200-06004	09200-06004	09200-06004	PIN, clutch cable	1		
8	04111-20158	04111-20158	04111-20158	COTTER PIN, clutch	1		
9	58600HP9301	58600HP9301	58600HP9301	CABLE ASS`Y, throttle return	1		

FIG 43

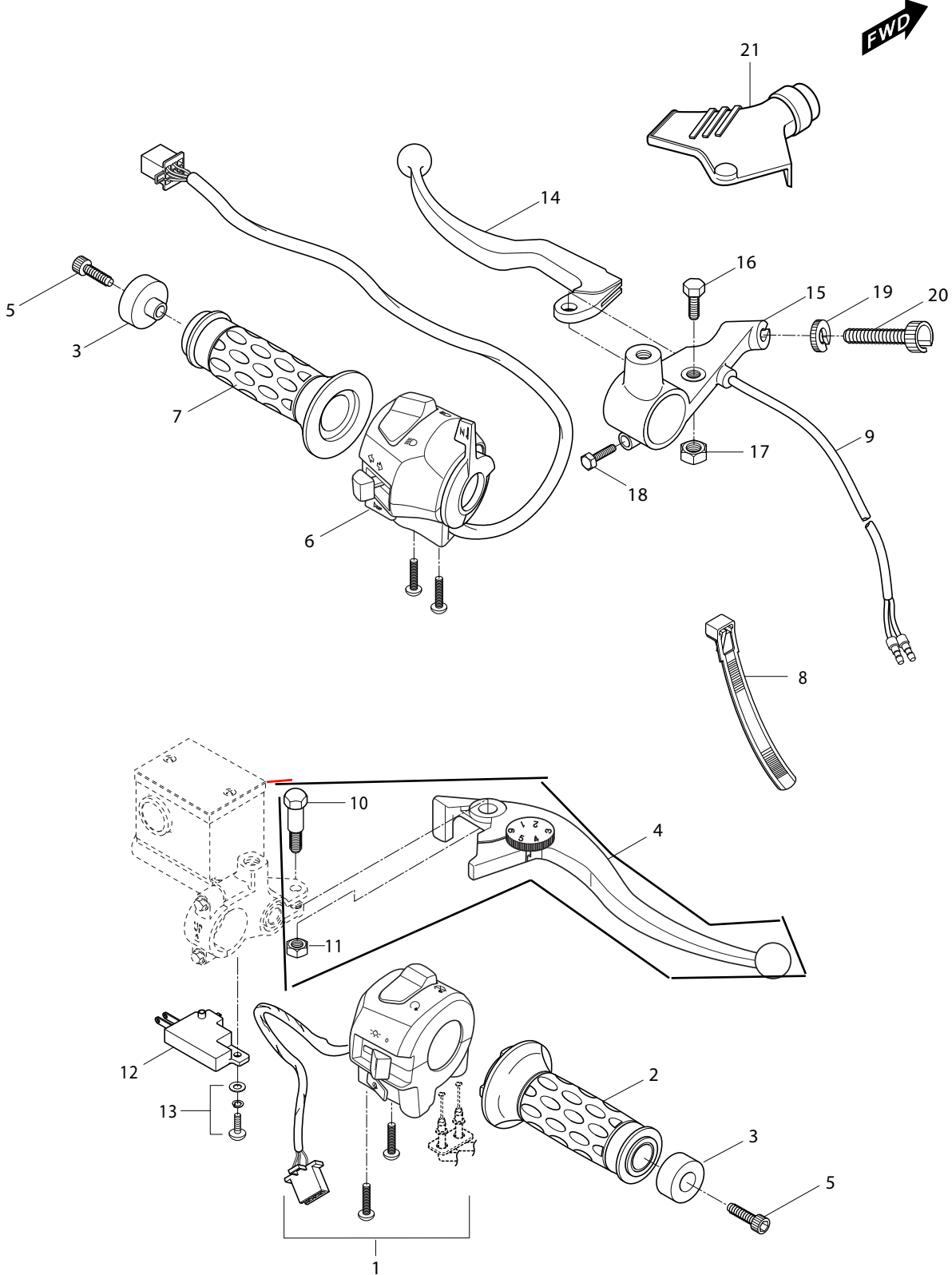
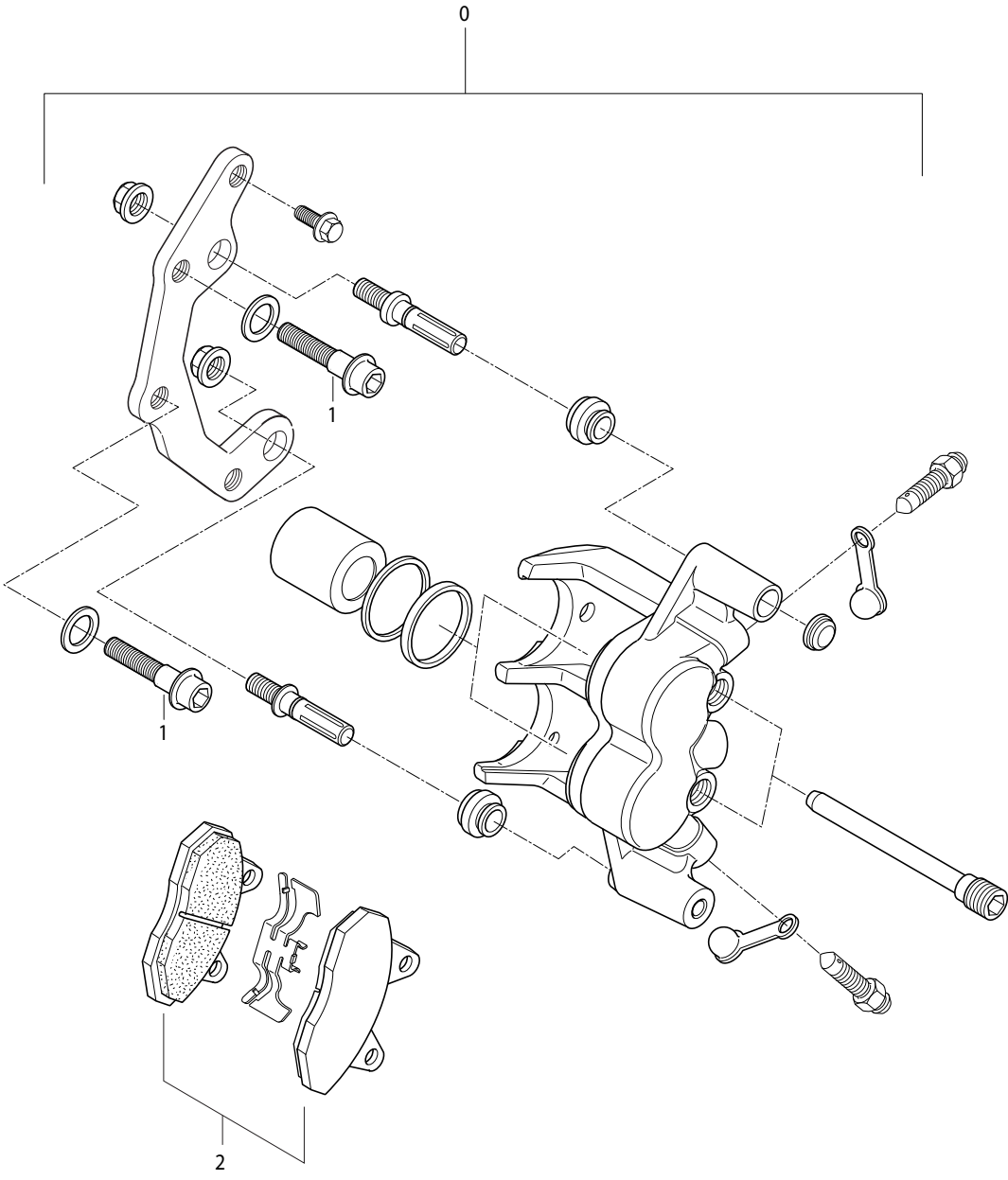


FIG 43. HANDLE SWITCH

REF. NO.	2008 7EU01/7G01/7S01/7F01	2009 9EG02/9EN01/9EU01.02 9F01/9G01/9S01	2009 9AT02	PART NAME	Q'TY	REMARKS	REC.Q'TY (PCS)
1	37200HN9100	37200HN9100	37200HN9100	SWITCH ASSY, handle R	1		5
2	57110HP9300	57110HP9300	57110HP9300	GRIP COMP, throttle	1		5
3	56271HF4501PLA	56271H99300ZN8	56271H99300ZN8	BALANCER, handlebar	2		5
4	57300HN9102	57300HN9102	57300HN9102	LEVER ASS'Y, brake	1		5
5	07110-08208	07110-08208	07110-08208	BOLT, handle balancer	2		10
6	37400HP9300	37400HP9300	37400HP9300	SWITCH ASSY, handle L	1		5
7	57211HG5800	57211HG5800	57211HG5800	GRIP, L	1		10
8	09407-14403	09407-14403	09407-14403	CLAMP, handle switch harness	2		
9	57460HJ8250	57460HJ8250	57460HJ8250	SWITCH ASSY, clutch	1		5
10	57431HN9101	57431HN9101	57431HN9101	BOLT, brake lever pivot	1		5
11	08319-21068	08319-21068	08319-21068	NUT, brake lever pivot	1		5
12	57460-17C00	57460-17C00	57460-17C00	SWITCH ASS'Y, stop	1		5
13	02112-74108	02112-74108	02112-74108	SCREW, stop switch	1		10
14	57620HN9101	57620HN9101	57620HN9101	LEVER COMP, clutch	1		5
15	57511HN9101	57511HN9101	57511HN9101	HOLDER, clutch lever	1		5
16	57531HN9100	57531HN9100	57531HN9100	BOLT SET, clutch lever pivot	1		5
17	08319-21068	08319-21068	08319-21068	NUT, clutch lever pivot	1		5
18	57451H93B00	57451H93B00	57451H93B00	BOLT, clutch lever holder	1		5
19	57442H93B00	57442H93B00	57442H93B00	LOCK NUT	1		5
20	57441H93B00	57441H93B00	57441H93B00	ADJUSTER, wire	1		5
21	57661HN9100	57661HN9100	57661HN9100	COVER, clutch lever	1		5

FIG 44 (2008)



FWD

FIG 44. CALIPER LH(2008)

REF.	2008	2009	PART NAME	Q`TY	REMARKS	REC.Q`TY
NO.	7EU01/7G01/7S01/7F01	9EG02/9EN01/9EU01.02 9F01/9G01/9S01	9AT02			(PCS)
0	59300HN9100		CALIPER ASS`Y, L	1		5
1	09103H08254		BOLT, caliper	2		10
2	59301HP9500		PAD SET	1		40

FIG 44 (2009)

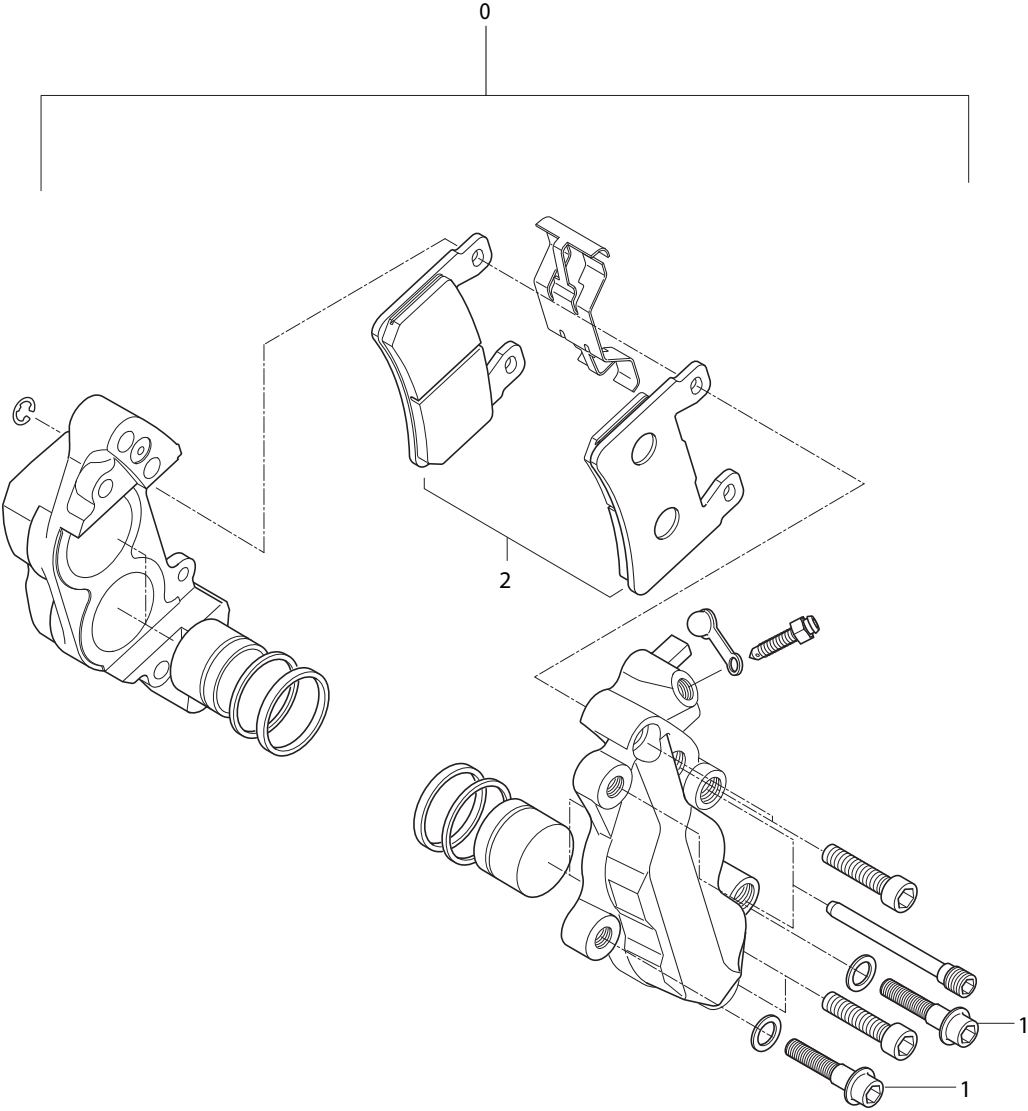
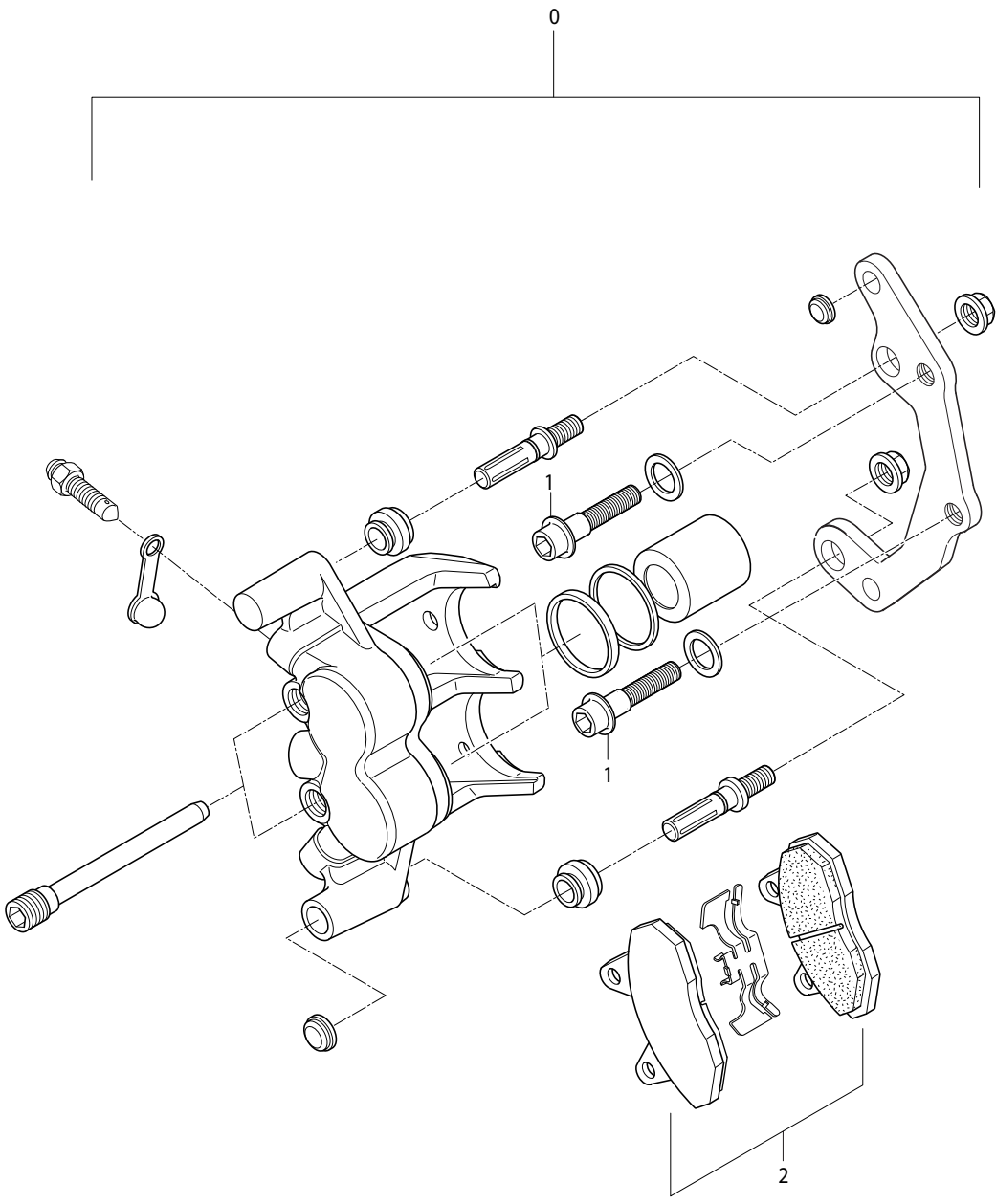


FIG 44. CALIPER LH(2009)

REF. NO.	2008 7EU01/7G01/7S01/7F01	2009 9EG02/9EN01/9EU01.02 9F01/9G01/9S01	9AT02	PART NAME	Q`TY	REMARKS	REC.Q`TY (PCS)
0		59300H99700	59300H99700	CALIPER ASS`Y, L	1		5
1		07120-08358	07120-08358	BOLT, caliper	2		10
2		59330H99700	59330H99700	PAD SET	1		40

FIG.45 (2008)



FWD

FIG 45. CALIPER RH(2008)

REF.	2008	2009	PART NAME	Q`TY	REMARKS	REC.Q`TY
NO.	7EU01/7G01/7S01/7F01	9EG02/9EN01/9EU01.02 9F01/9G01/9S01	9AT02			(PCS)
0	59400HN9100		CALIPER ASS`Y, R	1		5
1	09103H08254		BOLT, caliper	2		10
2	59301HP9500		PAD SET	1		40

FIG.45 (2009)

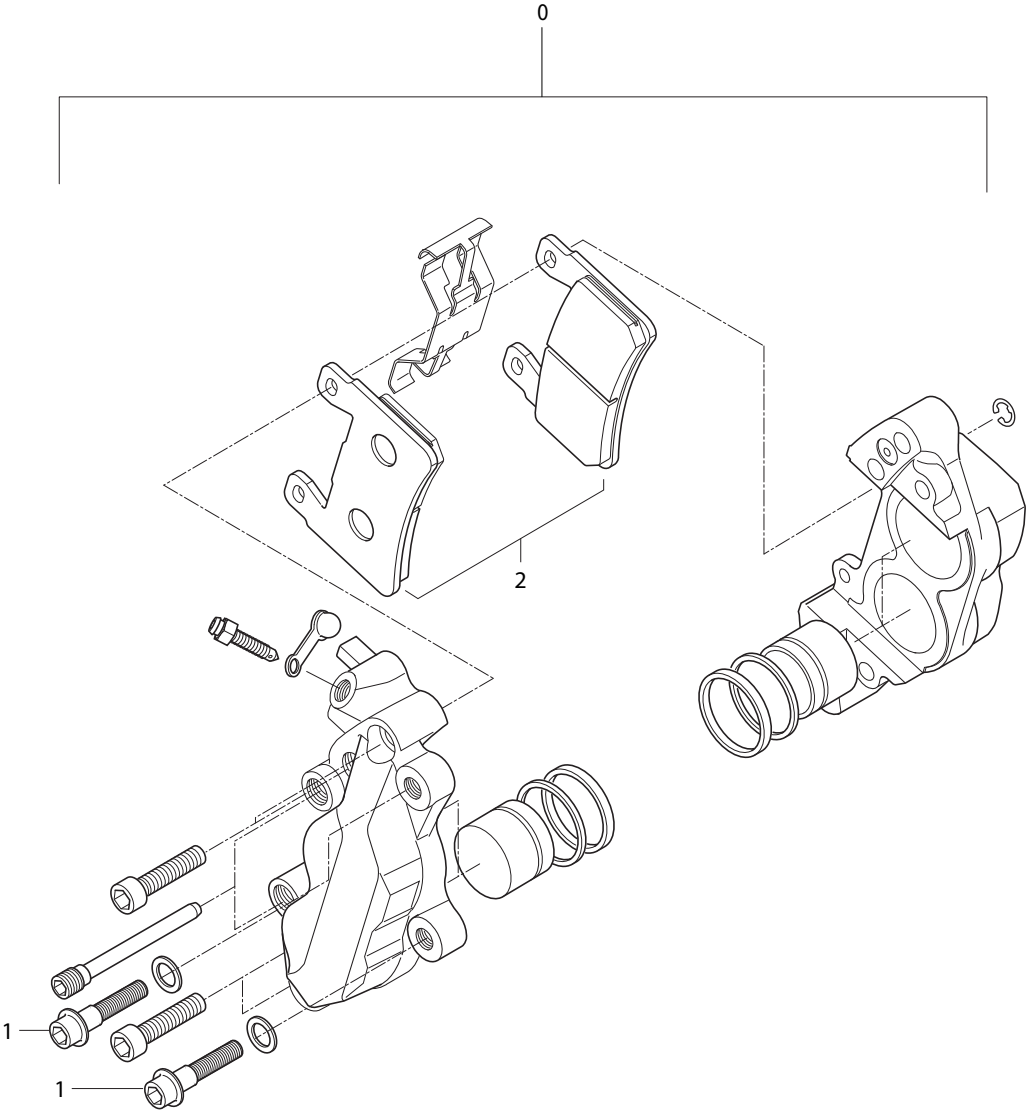
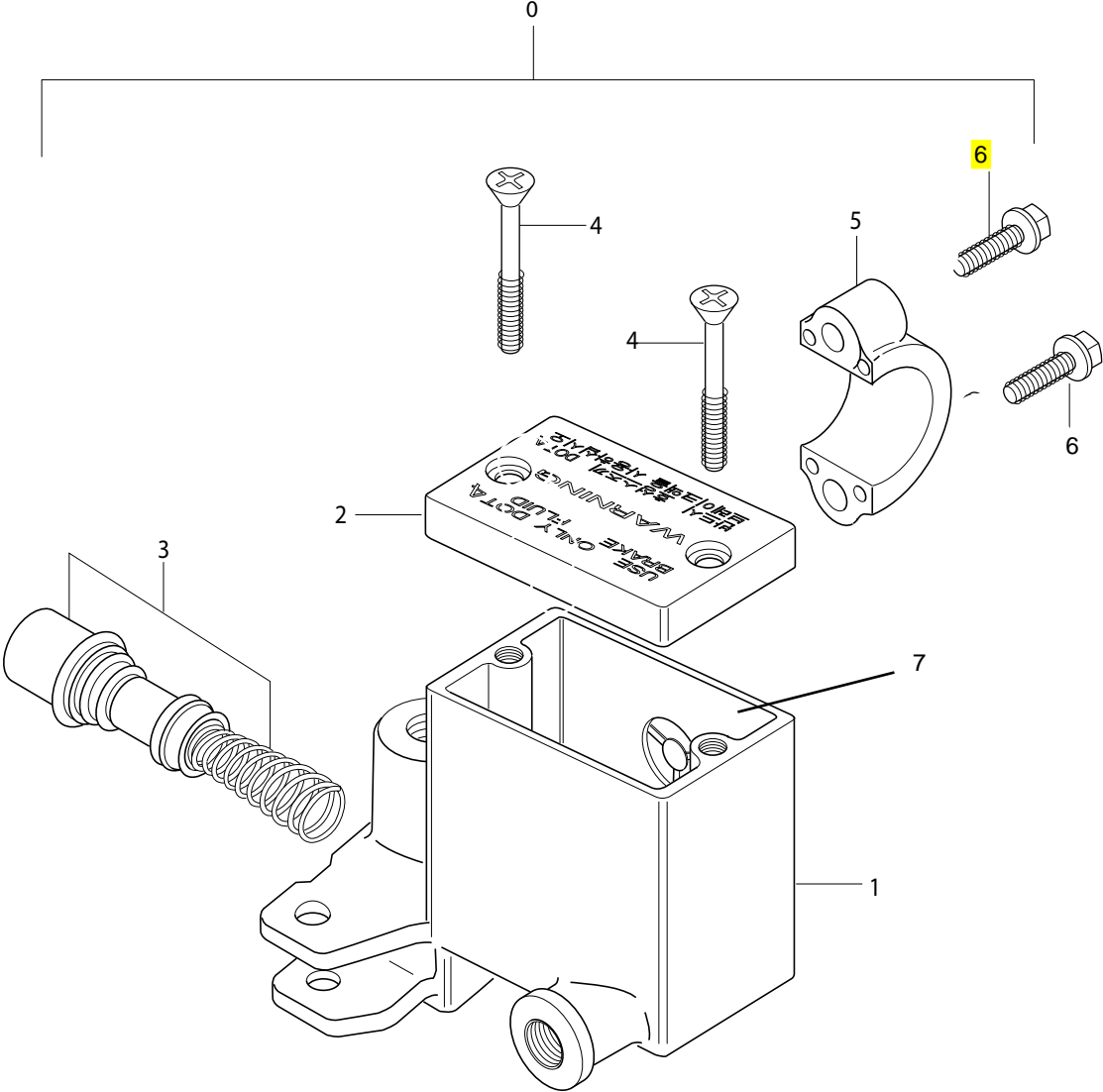


FIG 45. CALIPER RH(2009)

REF. NO.	2008 7EU01/7G01/7S01/7F01	2009 9EG02/9EN01/9EU01.02 9F01/9G01/9S01	9AT02	PART NAME	Q`TY	REMARKS	REC.Q`TY (PCS)
0		59400H99700	59400H99700	CALIPER ASS`Y, R	1		5
1		07120-08358	07120-08358	BOLT, caliper	2		10
2		59330H99700	59330H99700	PAD SET	1		40

FIG.46



FWD

FIG 46. MASTER CYLINDER

REF.	2008	2009		PART NAME	Q`TY	REMARKS	REC.Q`TY
NO.	7EU01/7G01/7S01/7F01	9EG02/9EN01/9EU01.02 9F01/9G01/9S01	9AT02				(PCS)
0	59600HP9201	59600HP9201	59600HP9201	CYLINDER ASS`Y, front master	1		5
1	59687HM8162	59687HM8162	59687HM8162	BODY	1	NOT SALE	
2	59669SN9110	59669SN9110	59669SN9110	CAP SET, master cylinder	1		5
2-A	59669HN9100	59669HN9100	59669HN9100	CAP, Master Cylinder	1	NOT SALE	
2-B	59511HP9200	59511HP9200	59511HP9200	PLATE, reservoir cap	1	NOT SALE	
3	59610HN9100	59610HN9100	59610HN9100	PISTON, SET	1	NOT SALE	
4	59691-35C00	59691-35C00	59691-35C00	SCREW	2		
5	59671-35C00	59671-35C00	59671-35C00	HOLDER	1		
6	01107-35C00	01107-35C00	01107-35C00	BOLT, holder	2		
7	59667HP9200	59667HP9200	59667HP9200	DIAPHRAGM	1		5

FIG.47

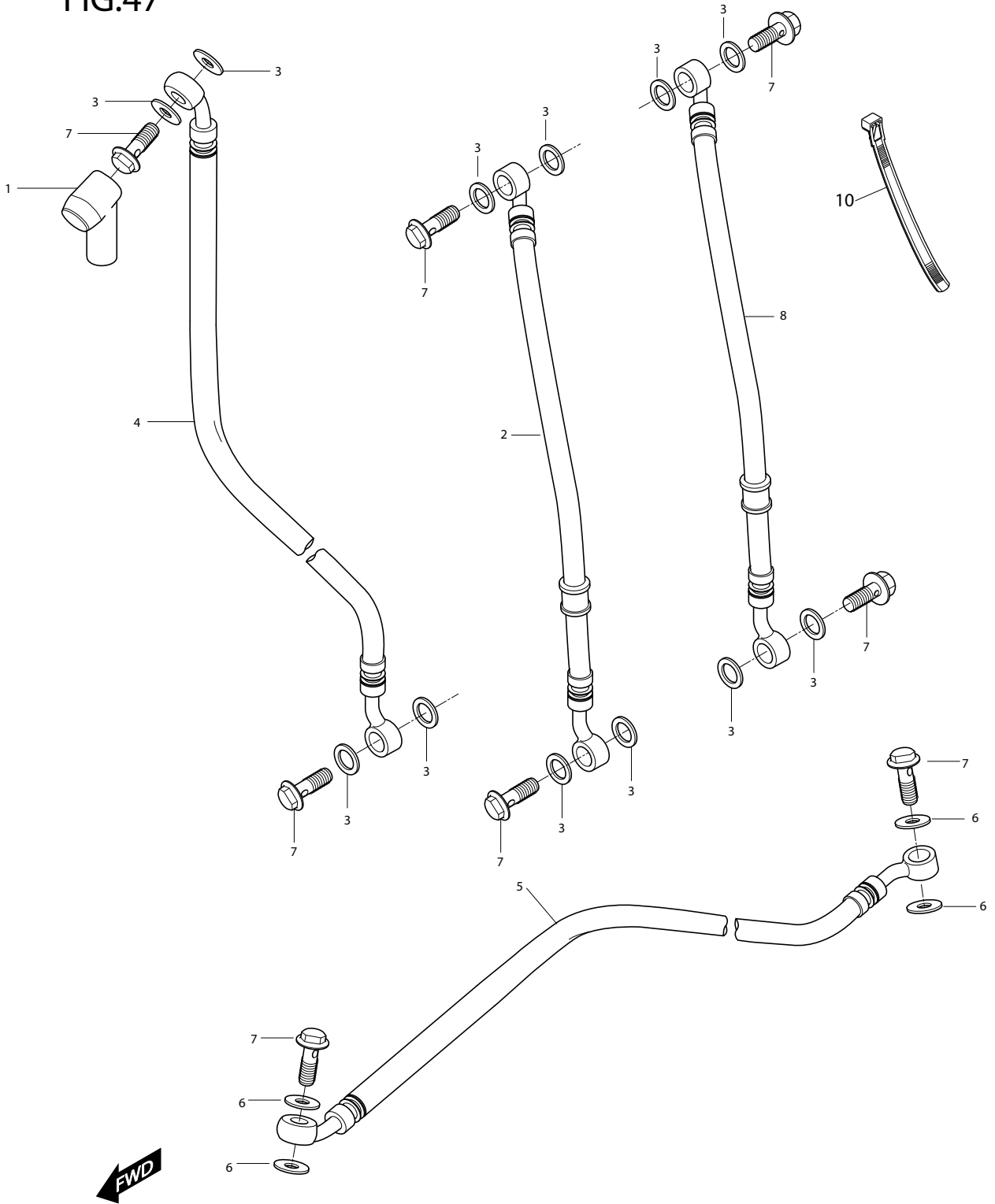
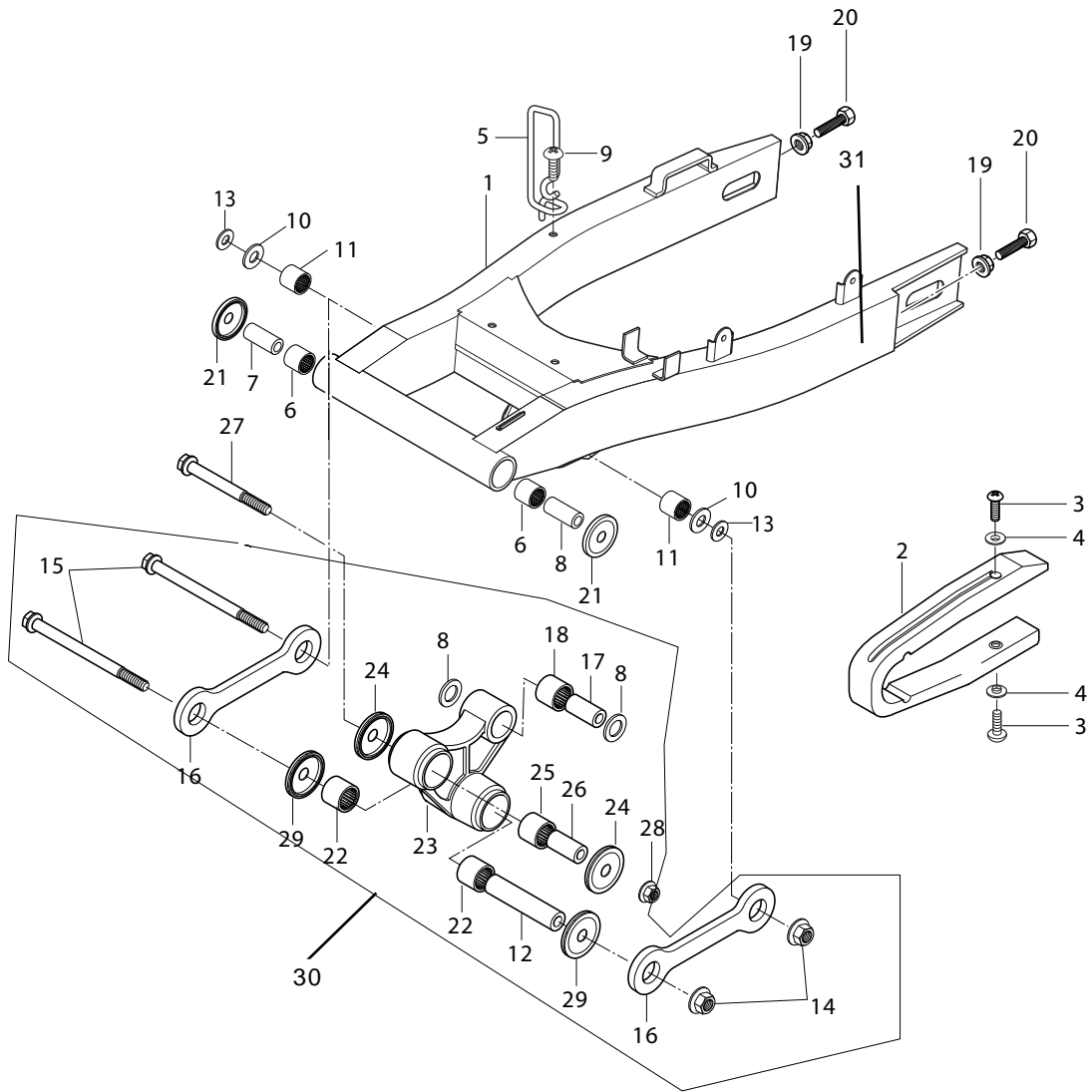


FIG 47. FRONT BRAKE HOSE

REF. NO.	2008 7EU01/7G01/7S01/7F01	2009 9EG02/9EN01/9EU01.02 9F01/9G01/9S01	9AT02	PART NAME	Q`TY	REMARKS	REC.Q`TY (PCS)
1	59711H49002	59711H49002	59711H49002	BOOT, brake hose	1		5
2	59460HN9100	59460H99300	59460H99300	HOSE COMP, FT brake R	11		
3	09161-10005	09161-10005	09161-10005	WASHER, brake hose	12		
4	59450HN9100	59450HN9100	59450HN9100	HOSE COMP, front brake upper	1		
5	69480HM8104	69480HM8104	69480HM8104	HOSE COMP, rear brake	1		20
6	09161-10005	09161-10005	09161-10005	WASHER, rear brake fluide	4		5
7	09360-10039	09360-10039	09360-10039	BOLT, rear brake fluide	8		
8	59470HN9100	59470H99300	59470H99300	HOSE COMP, FT brake L	1		
9	09360-10039	09360-10039	09360-10039	BOLT, brake hose	1		
10	09407-20406	09407-20406	09407-20406	CLAMP, FT brake hose L & speed sensor	3		

FIG 48



FWD

FIG 48. SWINGING ARM

REF. NO.	2008	2009		PART NAME	Q'TY	REMARKS	REC.Q'TY (PCS)
	7EU01/7G01/7S01/7F01	9EG02/9EN01/9EU01.02 9F01/9G01/9S01	9AT02				
1	61100SN9106120			REAR SWINGARM ASS'Y(Black)	1		5
	61100HN9106120	61100H99700	61100H99700	SWINGARM COMP, rear(Black)	1		
2	61273HN9100	61273HN9100	61273HN9100	BUFFER, chain touch defense	1		5
3	02142-06166	02142-06166	02142-06166	BOLT, chain touch defense buffer	2		20
4	09169-06032	09169H06011	09169H06011	WASHER, chain touch defense buffer	2		40
5	61510HM8100	61510HM8100	61510HM8100	GUIDE, rear brake hose No.1	1		5
6	09263-22017	09263-22017	09263-22017	BEARING, rear swingarm pivot	2		10
7	61252HN9100	61252HN9100	61252HN9100	SPACER, rear swingarm pivot R	1		5
8	61251HM8100	61251HM8100	61251HM8100	SPACER, rear swingarm pivot bearing	1		5
9	02142-06128	01517-06128	01517-06128	BOLT, RR brake hose guide NO.1	1		5
10	09283-20031	09283-20031	09283-20031	SEAL, rear cushion rod	2		10
11	09263H20003	09263H20003	09263H20003	BEARING, rear cushion rod	2		20
12	09180H14001	09180H14001	09180H14001	SPACER, rear cushion rod	1		10
13	08211-14341	08211-14321	08211-14321	WASHER, rear cushion rod	2		10
14	09159H14008	09159H14008	09159H14008	NUT, rear cushion rod	2		15
15	09103H14001	09103H14001	09103H14001	BOLT, rear cushion rod	2		10
16	62641HN9100	62641HN9100	62641HN9100	ROD, rear cushion lever	2		10
17	09180H10073	09180H10073	09180H10073	SPACER, rear cushion lever rear	1		5
18	09263H17002	09263H17002	09263H17002	BEARING, rear cushion lever rear	1		5
19	08316-16088	08316-16088	08316-16088	NUT, chain adjuster	2		10
20	09103H08608	09103H08608	09103H08608	BOLT, chain adjuster	2		10
21	61262-45002	61262-45002	61262-45002	COVER, rear swingarm pivot	2		10
22	09263H20003	09263H20003	09263H20003	BEARING, rear cushion lever center	2		20
23	62611HG5800	62611HG5800	62611HG5800	LEVER, rear cushion	1		5
24	09284H33003	09284H33003	09284H33003	DUST SEAL, rear cushion lever front	2		10
25	09263-20073	09263-20073	09263-20073	BEARING, rear cushion lever front	1		5
26	09180H12001	09180H12001	09180H12001	SPACER, rear cushion lever front	2		5
27	09103H12046	09103H12046	09103H12046	BOLT, rear cushion lever front	1		5
28	08319-31128	08319-31128	08319-31128	NUT, rear cushion lever front	1		10
29	09284H32001	09284H32001	09284H32001	SEAL, rear cushion lever center	2		20
30	62611HN9100HPA	62611HN9100HPA	62611HN9100HPA	LEVER, REAR cushion ASS'Y	1		5
31	68320HN9150PL	68320HN9150PL	68320HN9150PL	LABEL, chain case (7EU01)	1		5
	68320HN9160PL	68320HN9160PL	68320HN9160PL	LABEL, chain case (7G01)	1		5
	68320HN9180PL	68320HN9180PL	68320HN9180PL	LABEL, chain case (7S01)	1		5
	68320HN9190PL	68320HN9190PL	68320HN9190PL	LABEL, chain case (7F01)	1		5

FIG 49 (2008)

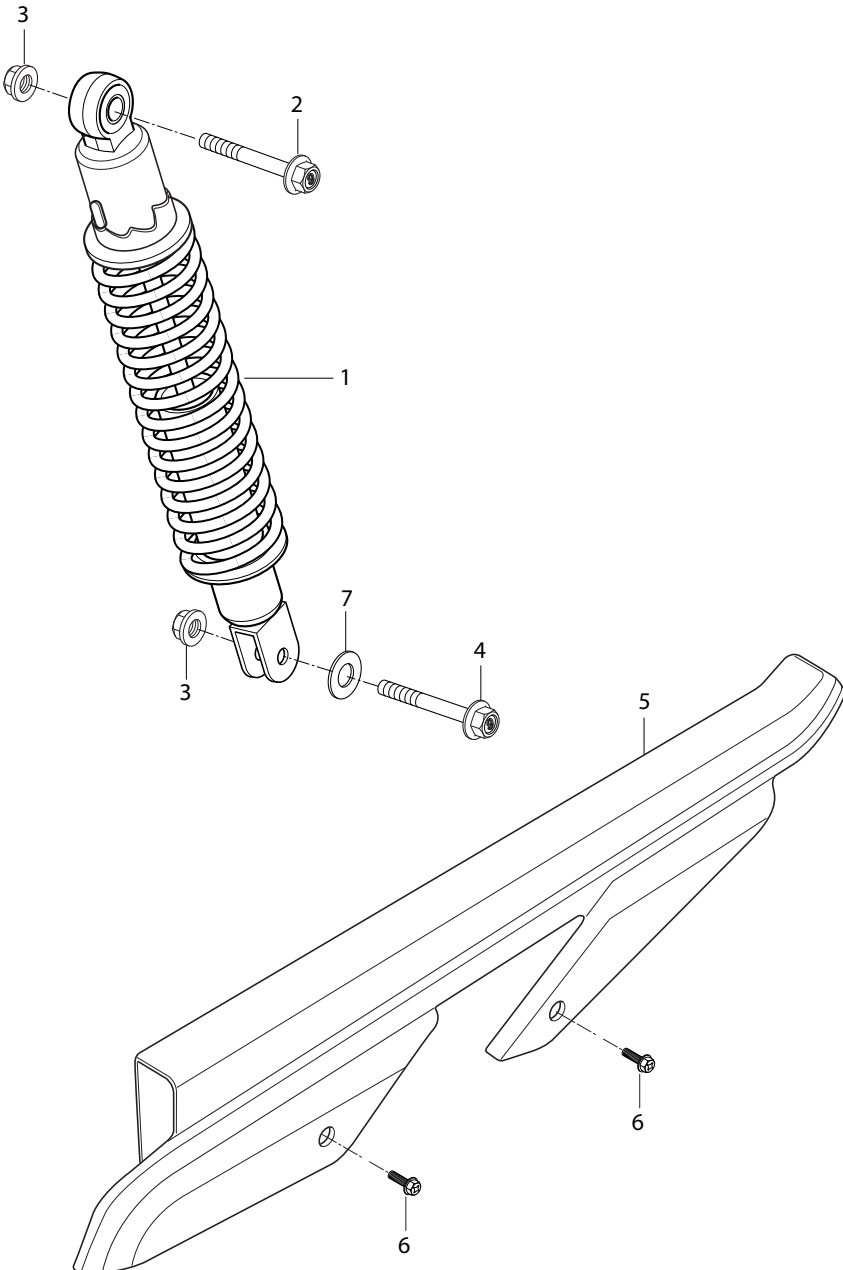


FIG 49. REAR SHOCK ABSORBER(2008)

REF. NO.	2008 7EU01/7G01/7S01/7F01	2009 9EG02/9EN01/9EU01.02 9F01/9G01/9S01	9AT02	PART NAME	Q`TY	REMARKS	REC.Q`TY (PCS)
1	62100HP9201			SHOCK ABSORBER ASS`Y rear	1		5
2	09103H10101			BOLT, rear shock absorber upper	2		10
3	08319-31108			NUT, rear shock absorber upper	1		20
4	09103H10101			BOLT, rear shock absorber lower	1		10
5	61310HM8102			CASE COMP, chain	1		5
6	09111H06066			BOLT, chain case	2		20
7	09160-10001			WASHER, rear shock absorber lower	1		5

FIG 49 (2009)

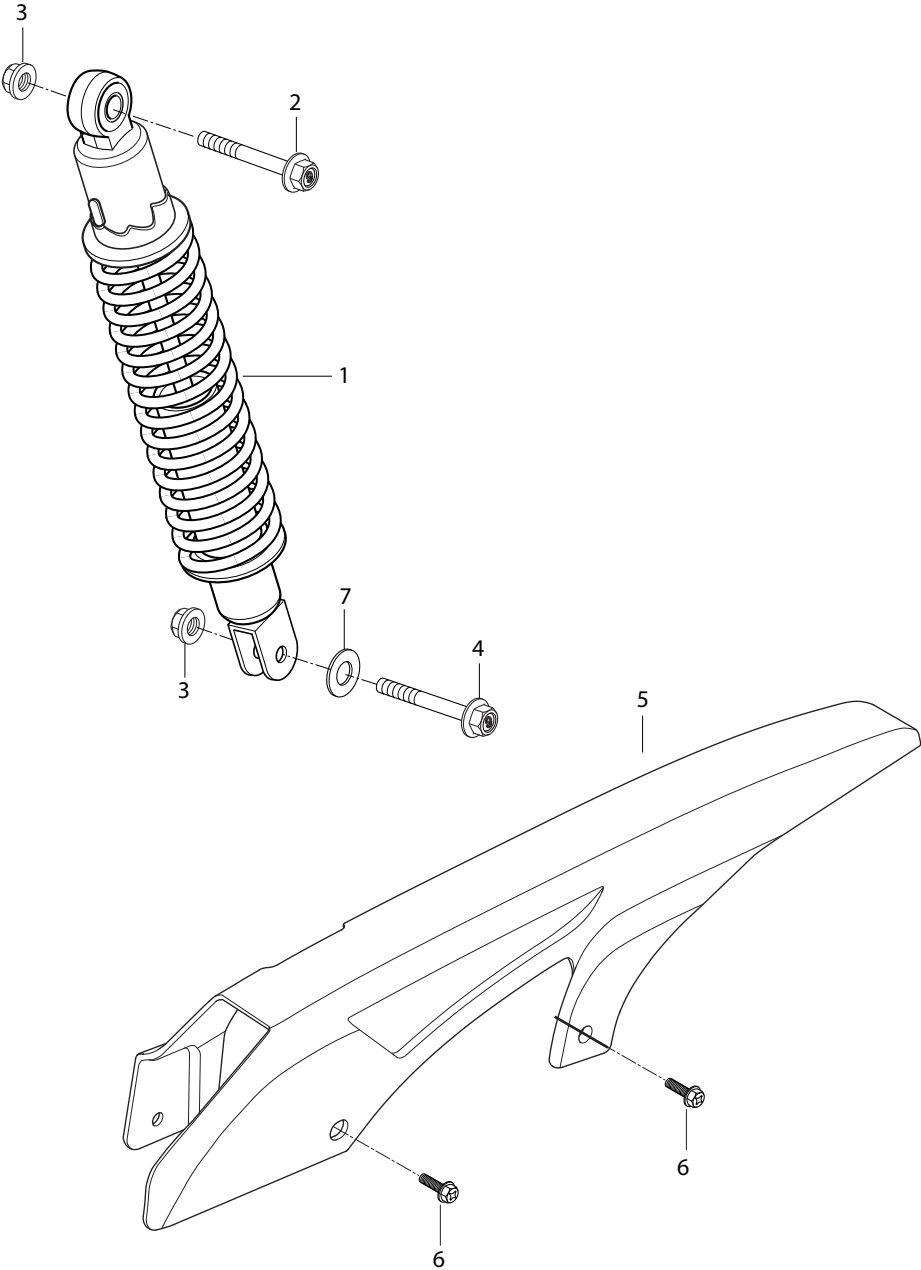
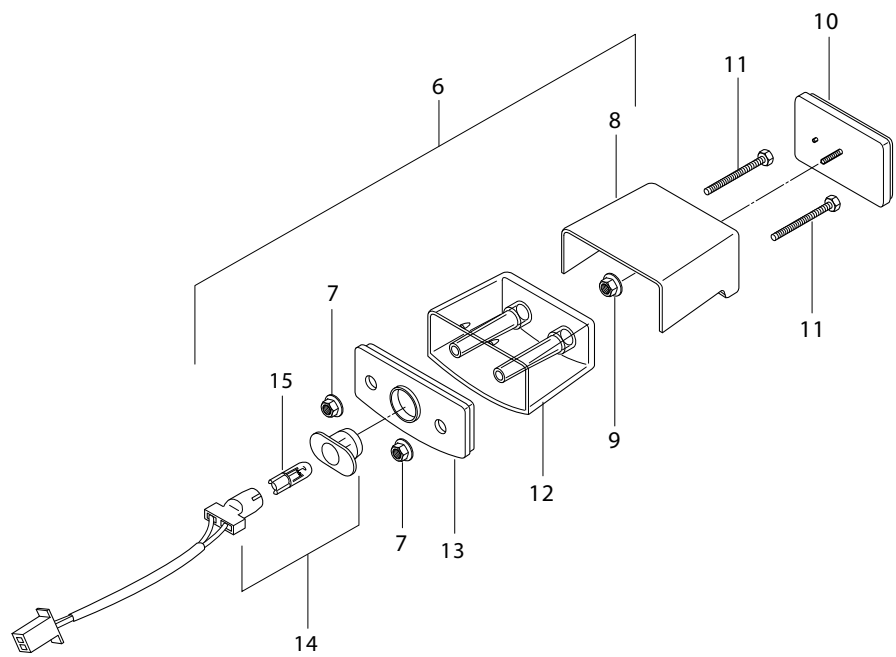
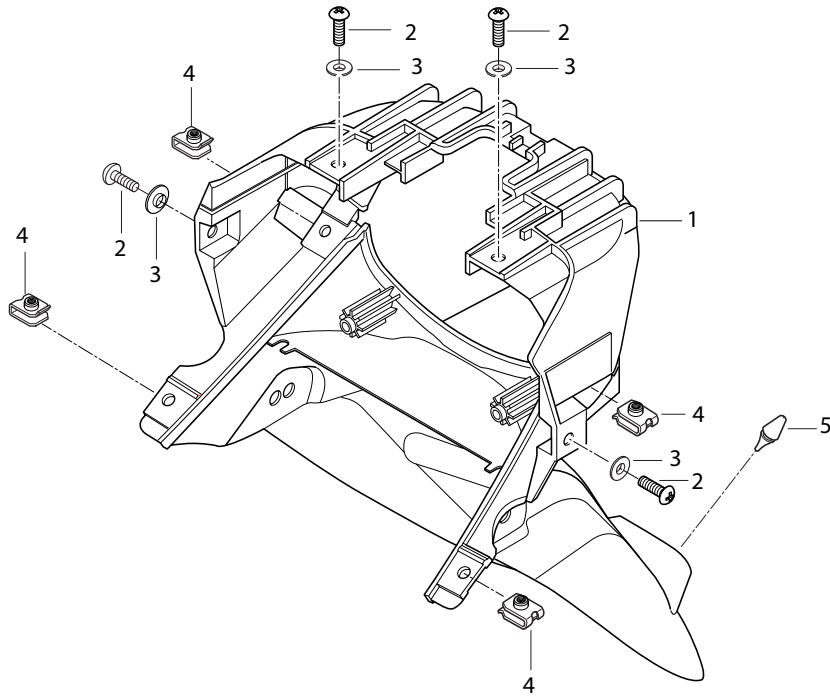


FIG 49. REAR SHOCK ABSORBER(2009)

REF. NO.	2008 7EU01/7G01/7S01/7F01	2009 9EG02/9EN01/9EU01.02 9F01/9G01/9S01	9AT02	PART NAME	Q`TY	REMARKS	REC.Q`TY (PCS)
1		62100HN9151	62100HN9151	SHOCK ABSORBER ASS`Y rear	1		5
2		09103H10101	09103H10101	BOLT, rear shock absorber upper	1		10
3		08319-31108	08319-31108	NUT, rear shock absorber upper	2		20
4		09103H10101	09103H10101	BOLT, rear shock absorber lower	1		10
5		61310H99700	61310H99700	CASE COMP, chain	1		5
6		09111H06066	09111H06066	BOLT, chain case	2		20
7		09160-10001	09160-10001	WASHER, rear shock absorber lower	1		5

FIG 50 (2008)



FWD

FIG 50. REAR FENDER(2008)

REF. NO.	2008 7EU01/7G01/7S01/7F01	2009 9EG02/9EN01/9EU01.02 9F01/9G01/9S01	9AT02	PART NAME	Q'TY	REMARKS	REC.Q'TY (PCS)
1	63111HM810112A			FENDER, rear	1		5
2	01517-06206			BOLT, rr fender	4		10
3	09169-06032			WASHER, rr fender	4		10
4	09148-05039			NUT, rr fender	4		10
5	09321-06023			CUSHION, license plate	1		5
6	35910HG5150			LAMP ASS'Y, license plate	1		5
7	08316-26055			NUT, license lamp(M5)	2		15
8	35915HL7300			COVER, license lamp	2		
9	08316-26055			NUT, license lamp	2		15
10	35970-17303			REFLEX REFLECTOR ASS'Y, rear	1		5
11	01107-05605			SCREW, license lamp	2		10
12	35911HG5800			LENS, license	1		
13	35912HG5800			HOUSING, license	1		
14	35916HG5800			CORD ASS'Y	1		
15	09471-12210			BULB, license lamp(12V/5W)	1		10

FIG 50 (2009)

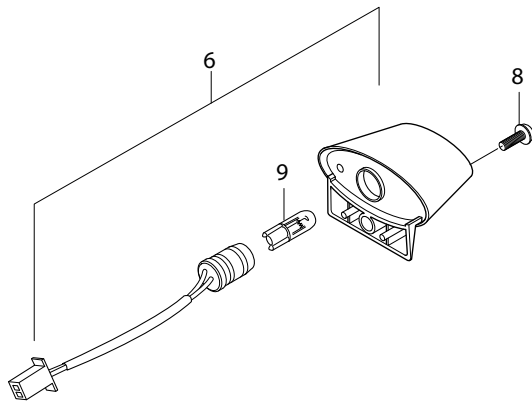
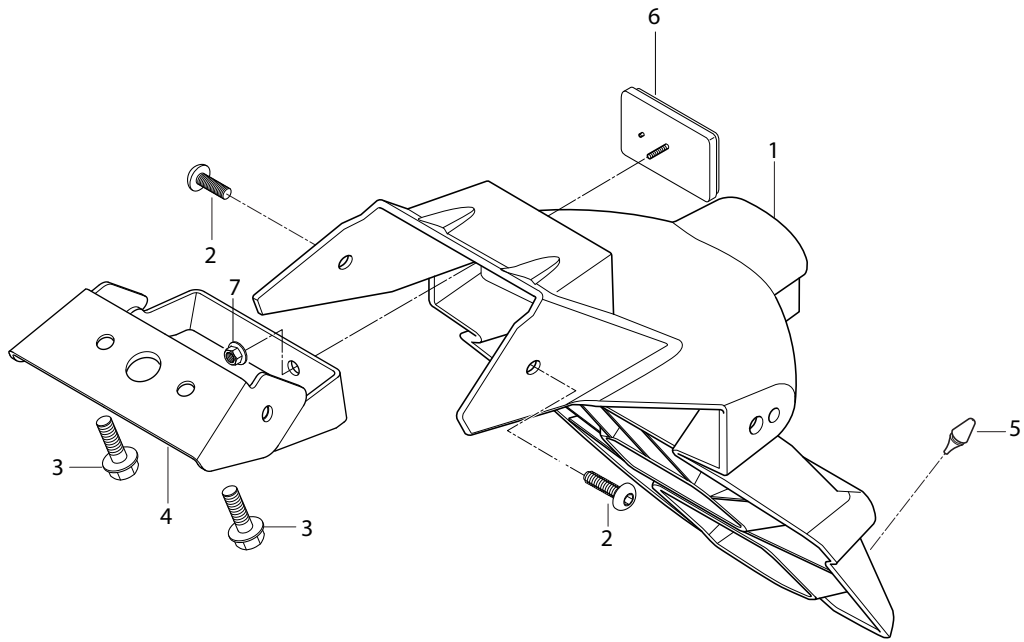


FIG 51

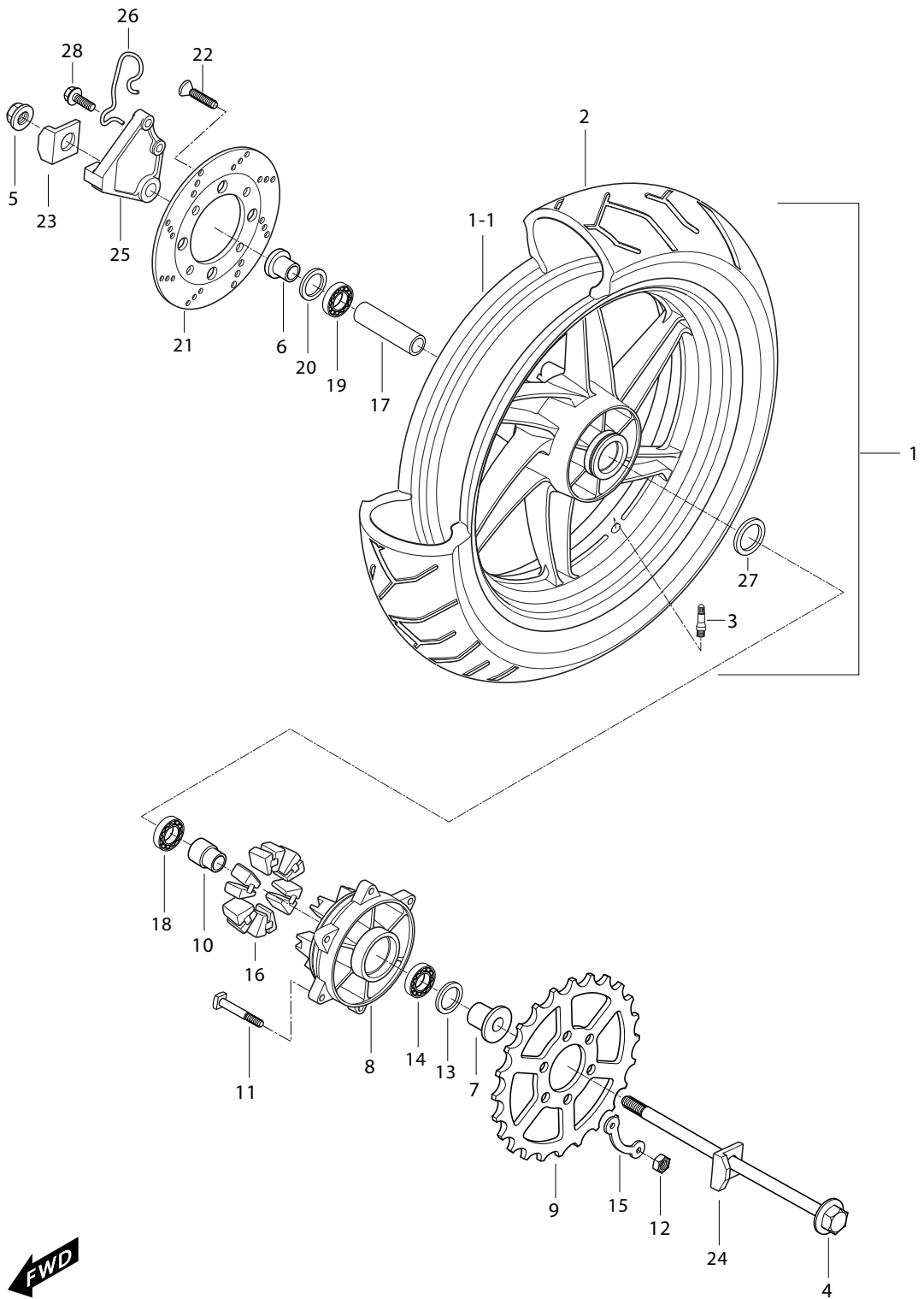
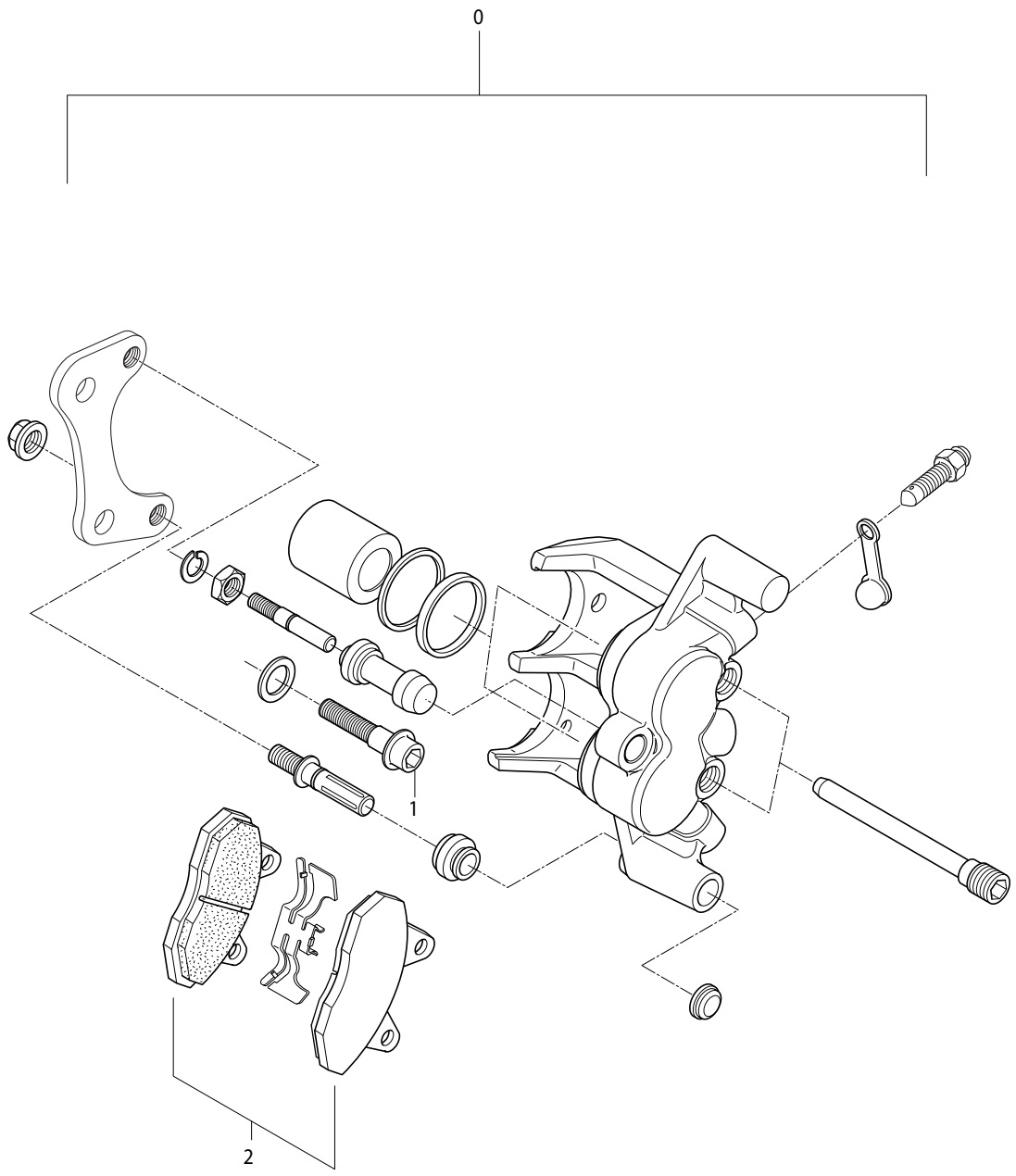


FIG 51. REAR WHEEL

REF. NO.	2008	2009		PART NAME	Q'TY	REMARKS	REC.Q'TY (PCS)
	7EU01/7G01/7S01/7F01	9EG02/9EN01/9EU01.02 9F01/9G01/9S01	9AT02				
1	64150SN9100120	64150SN9100120	64150SN9100120	WHEEL COMP, rear (J17xMT4.50)(Black)+tire	1		5
1-1	64150HN9100120	64150HN9100120	64150HN9100120	WHEEL + BEARING	1		5
2	65100HN9101	65100HN9101	65100HN9101	TIRE COMP, rear (160/60-17 69W)	1		5
3	55220-29C20	55220-29C20	55220-29C20	VALVE ASS'Y, wheel rim	1		10
4	64711HN9101	64711HN9101	64711HN9101	AXLE, rear	1		5
5	09159H16002	09159H16002	09159H16002	NUT, rear axle	1		5
6	64741HM8100	64741HM8100	64741HM8100	SPACER, rear axle R	1		5
7	64751HM8100	64751HM8100	64751HM8100	SPACER, rear axle L	1		5
8	64611HN9150120	64611HN9150120	64611HN9150120	DRUM, rear sprocket mounting	1		5
9	64511HN9101	64511HN9101	64511HN9101	SPROCKET, rear(44T)	1		5
10	64733HM8100	64733HM8100	64733HM8100	RETAINER, rear sprocket drum	1		5
11	01517-08358	01517-08358	01517-08358	BOLT, rear sprocket	6		
12	08319-31088	08319-31088	08319-31088	NUT, rear sprocket	6		30
13	09285-28001	09285-28001	09285-28001	OIL SEAL, rear sprocket mounting drum	1		5
14	08133-62047	08133-62047	08133-62047	BEARING, rear sprocket mounting drum	1		5
15	64162HN9100	64162HN9100	64162HN9100	WASHER, rear sprocket	3	NOT SALE	10
16	64651HM8101	64651HM8101	64651HM8101	SHOCKABSORBER, rear wheel	6		30
17	64731HM8100	64731HM8100	64731HM8100	SPACER, rear wheel bearing	1		5
18	08133-62037	08133-62037	08133-62037	BEARING, rear wheel L	1		10
19	08133-62037	08133-62037	08133-62037	BEARING, rear wheel R	1		10
20	09283-27010	09283-27010	09283-27010	O-RING, rear hub R	1		5
21	69211HM8102	69211HM8102	69211HM8102	DISK, rear brake	1		5
22	59421-03A01	59421-03A01	59421-03A01	BOLT, rear brake disk	6		30
23	61411HN9100	61411HN9100	61411HN9100	PLATE, chain adjuster R	1		5
24	61511HN9100	61511HN9100	61511HN9100	PLATE, chain adjuster L	1		5
25	69340HM8170120	69340HM8170120	69340HM8170120	CARRIER, caliper	1		5
26	61610HM8101	61610HM8101	61610HM8101	GUIDE, rr brake hose NO. 2	1		5
27	09280-55001	09280-55001	09280-55001	O-RING, rear hub L	1		5
28	01517-06128	01517-06128	01517-06128	BOLT, rr brake hose guide NO. 2	1		20

FIG 52



FWD

FIG 52. REAR CALIPER

REF.	2008	2009		PART NAME	Q'TY	REMARKS	REC.Q'TY
NO.	7EU01/7G01/7S01/7F01	9EG02/9EN01/9EU01.02 9F01/9G01/9S01	9AT02				(PCS)
0	69300HN9102	69300HN9102	69300HN9102	CALIPER ASS`Y, L	1		5
1	09103H08254	09103H08254	09103H08254	BOLT, caliper	2		10
2	59300HP9500	59300HP9500	59300HP9500	PAD SET	1		40